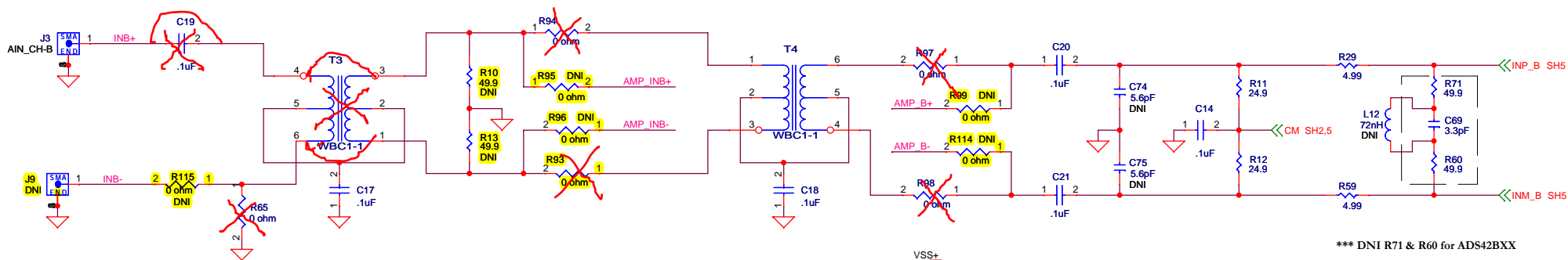
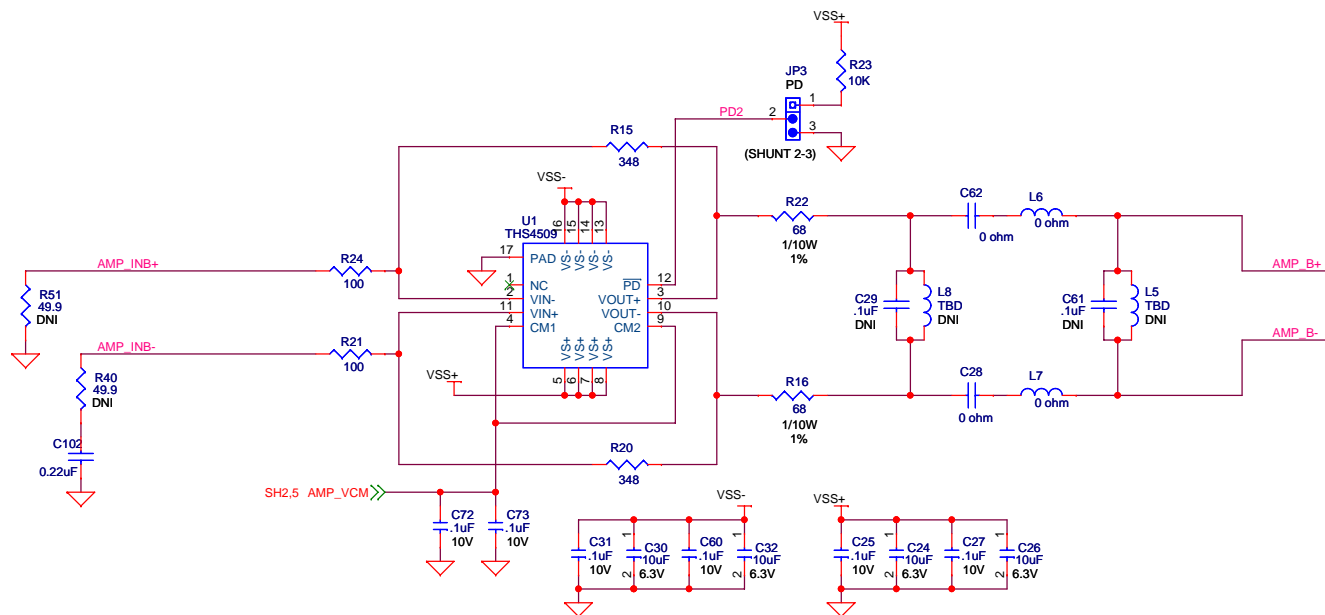
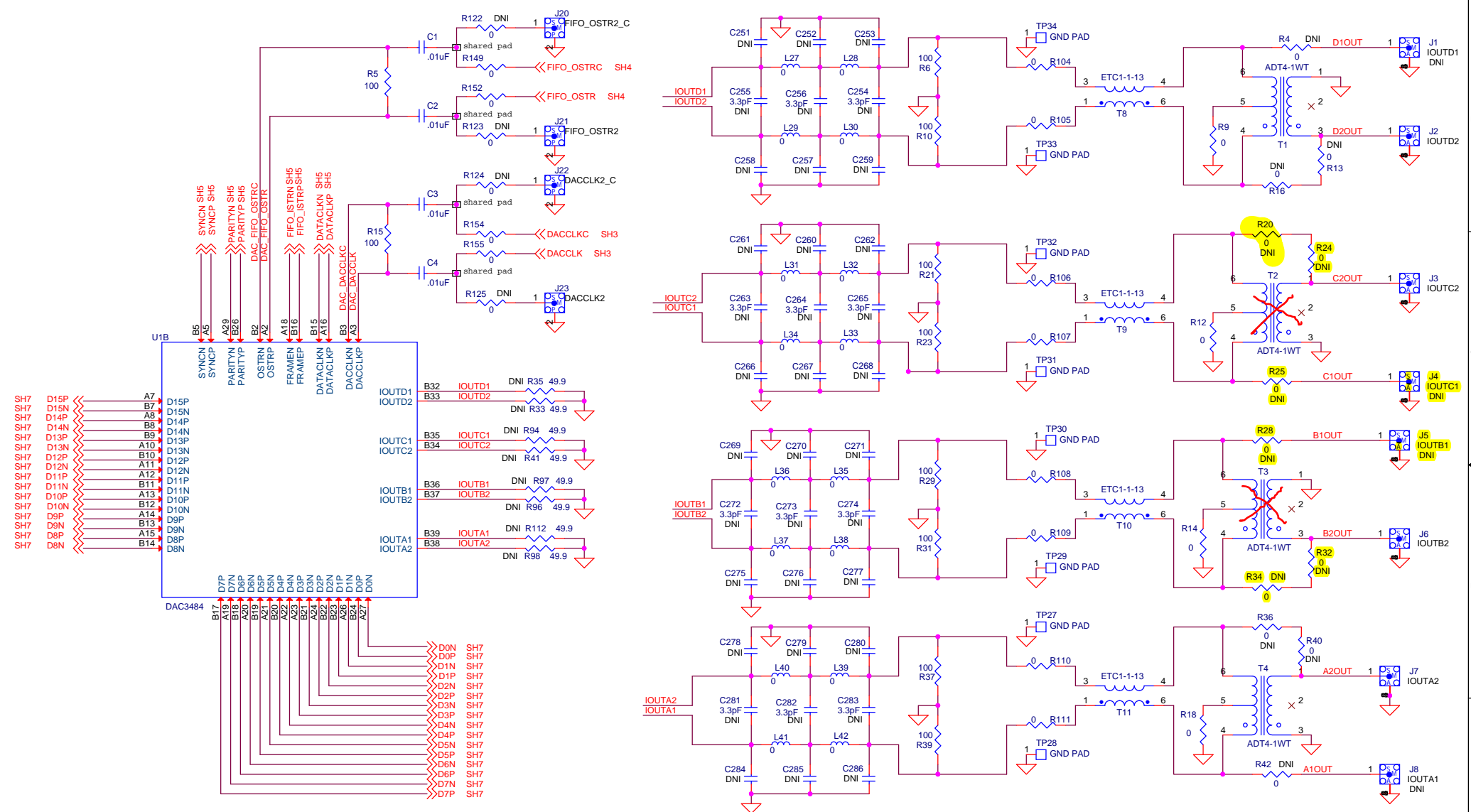


| | | |
|-------------------|---------------------------|--------------|
| Title | | |
| ADS42XX/58C28 EVM | | |
| Size | Document Number | Rev |
| B | ADS42XX/58C28 EVM-SCH | C |
| Date: | Monday, December 13, 2010 | Sheet 2 of 7 |



*** DNI R71 & R60 for ADS42BXX





NOTES:
 1) DNI = DO NOT INSTALL

TEXAS INSTRUMENTS

Title: **DAC348X EVB**

Size: **B** Document Number: **DAC** Rev: **H**

Drawn: **L. Nguyen** Date: **Wednesday, May 07, 2014** Sheet: **1** of **7**

Engineer: **K. Hsia**

