

USB
SHEET 2

**VOLTAGE
TRANSLATOR**
SHEET 3

**ADC/DAC
FMC CONN**
SHEET 4

FPGA BOARD FMC CONN
SHEETS 5

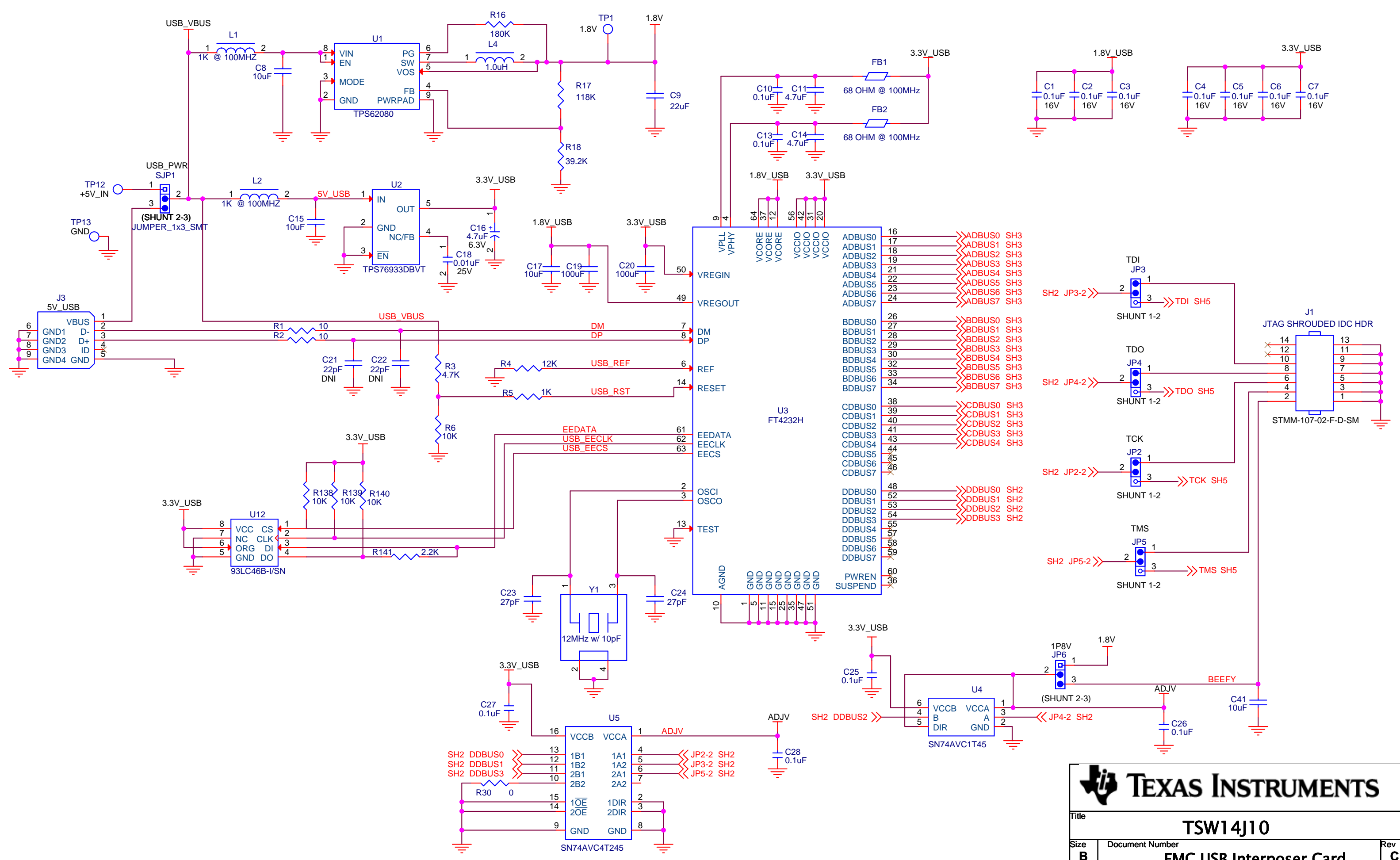
NOTE: DNI = DO NOT INSTALL COMPONENT.



Title **TSW14J10**

Drawn: KIM LE	Size B	Document Number	Rev C
Engineer: J. SETON	Date: Monday, August 11, 2014	Sheet 1 of 5	

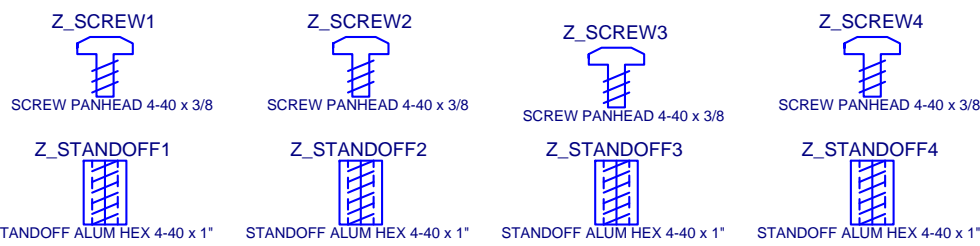
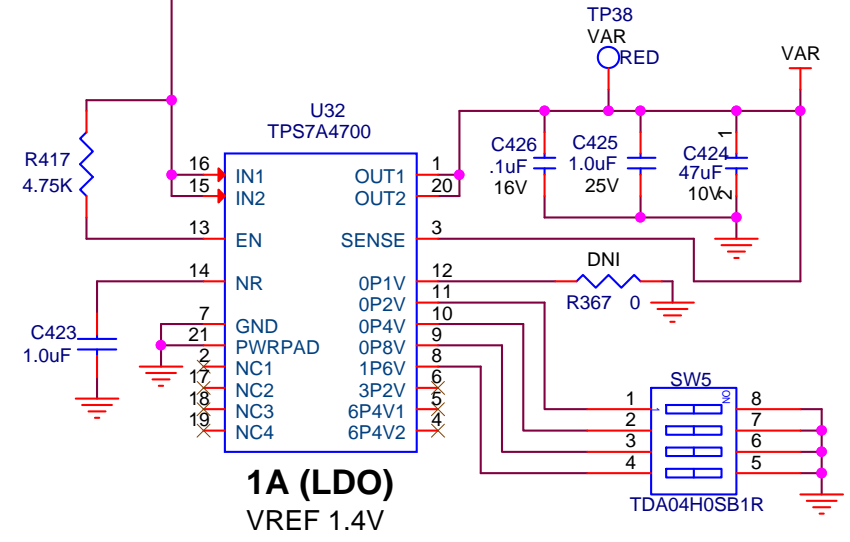
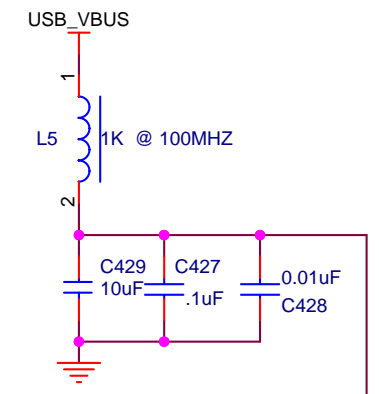
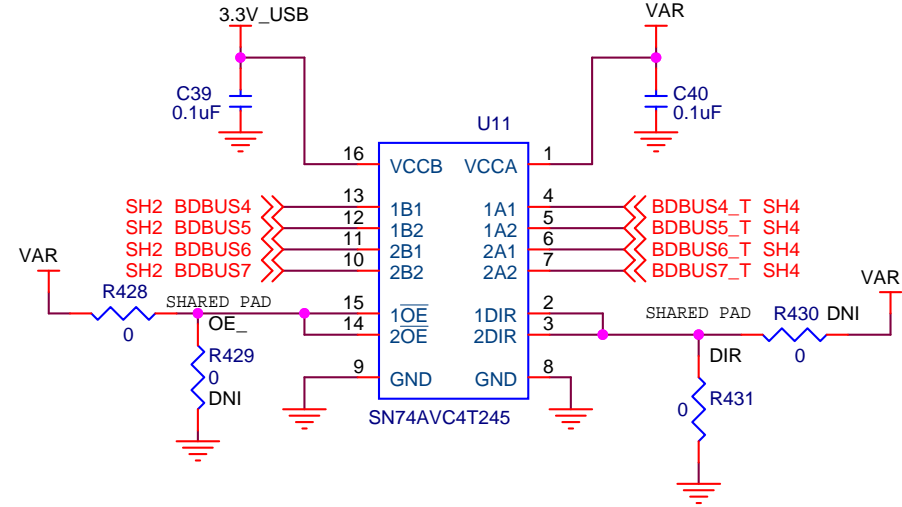
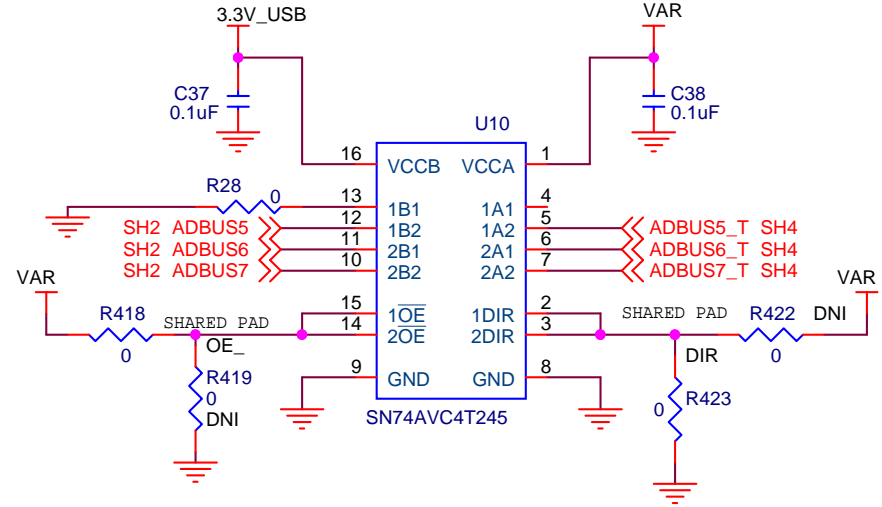
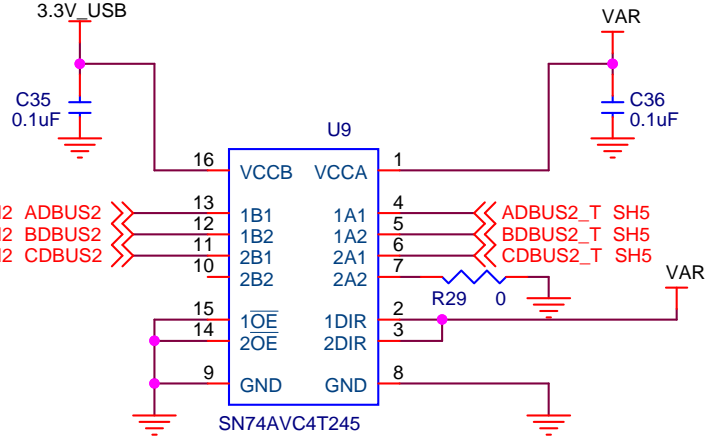
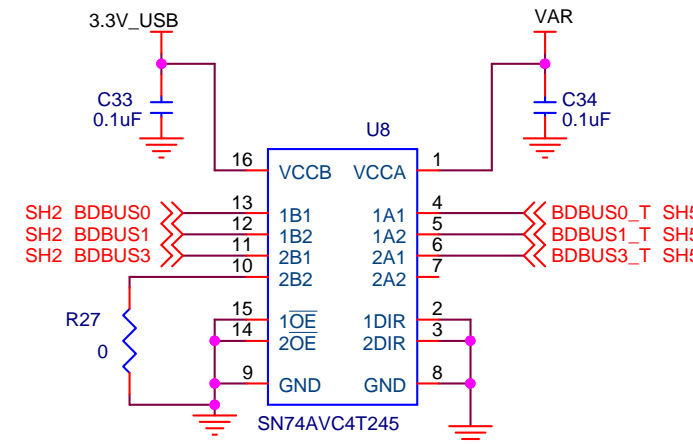
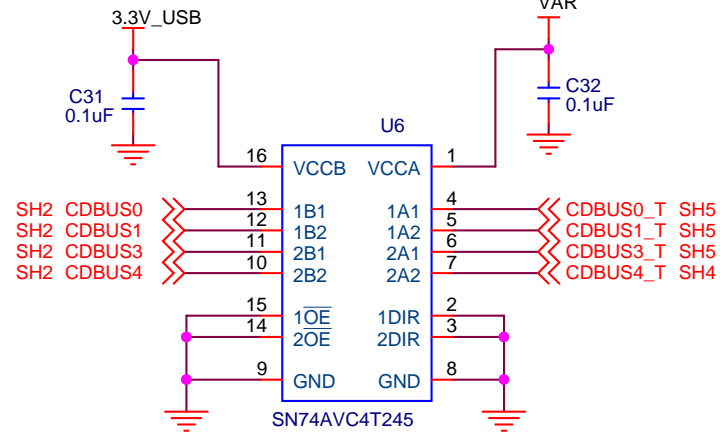
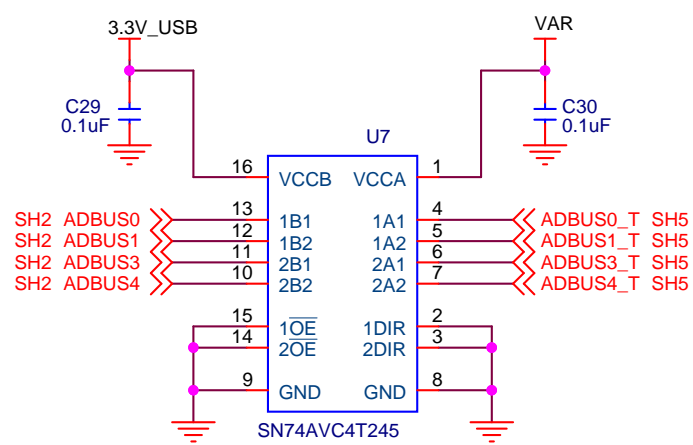
Sheet 1 of 5



TEXAS INSTRUMENTS

Title: **TSW14J10**

Size: B	Document Number: FMC USB Interposer Card	Rev: C
Date: Thursday, August 21, 2014	Sheet: 2 of 5	

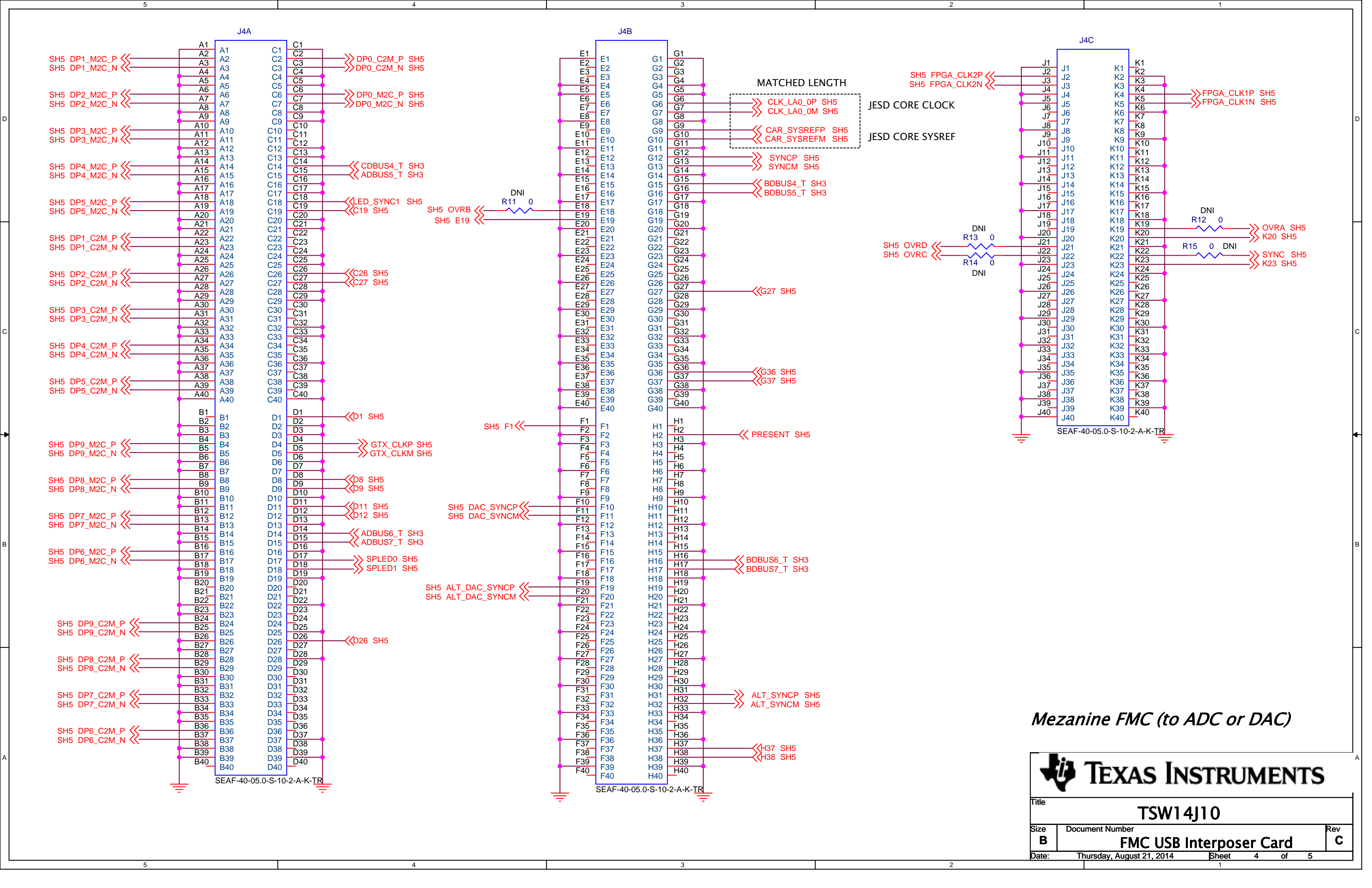


BARE BOARD, TSW14J10 REV C


TEXAS INSTRUMENTS

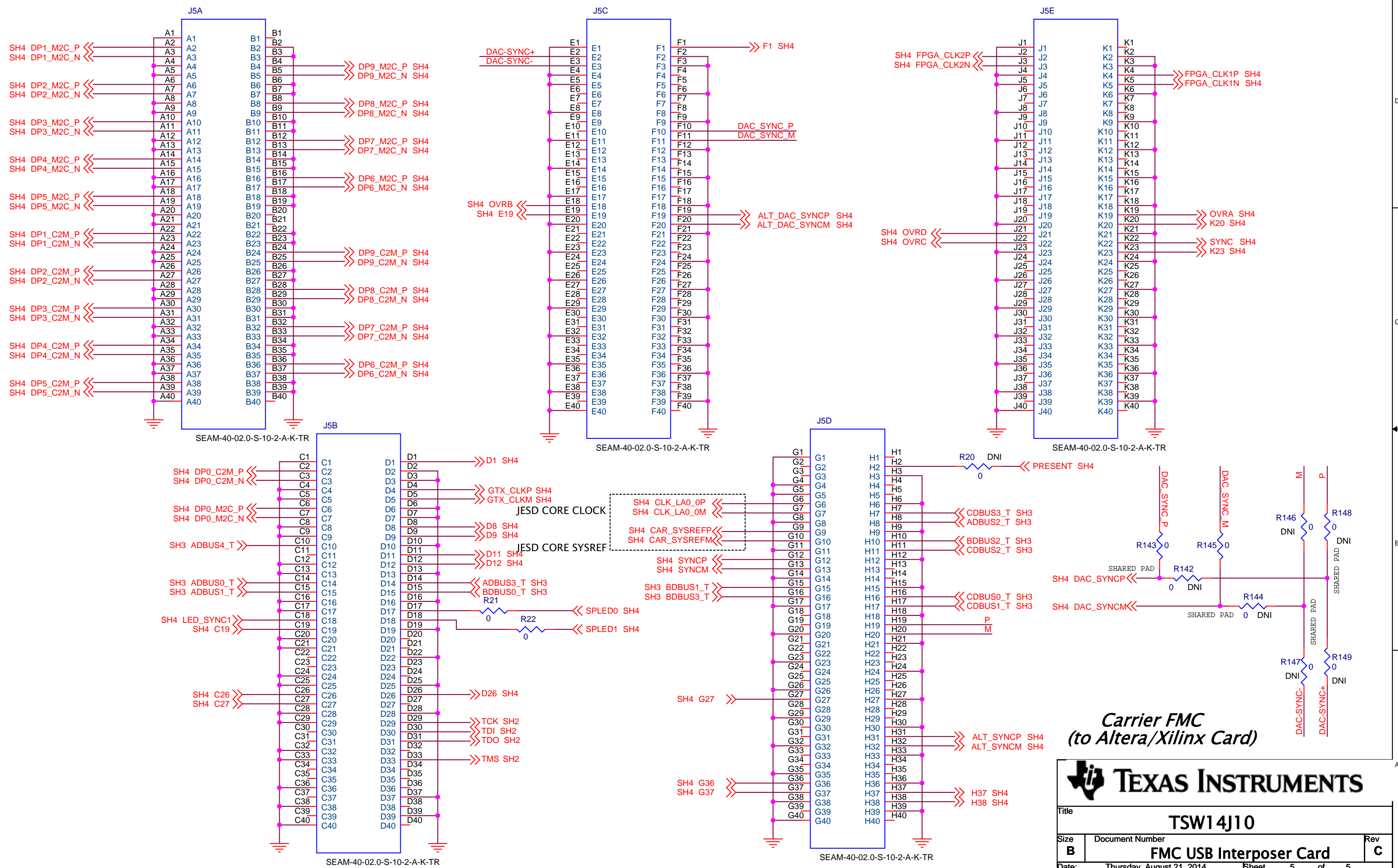
Title: **TSW14J10**

Size: B	Document Number: FMC USB Interposer Card	Rev: C
Date: Thursday, August 21, 2014	Sheet: 3	of 5



Mezzanine FMC (to ADC or DAC)

 TEXAS INSTRUMENTS		
Title TSW14J10		
Size B	Document Number FMC USB Interposer Card	Rev C
Date: Thursday, August 21, 2014	Sheet 4	of 5



**Carrier FMC
(to Altera/Xilinx Card)**

TEXAS INSTRUMENTS

Title		
TSW14J10		
Size	Document Number	Rev
B	FMC USB Interposer Card	C
Date:	Thursday, August 21, 2014	Sheet 5 of 5