

**Buttons, Switches,
LEDs**
SHEET 2

DDR III
SHEET 3

FMC CONN
SHEET 4

ARRIA V I/O
SHEETS 5-12

FPGA Configuration
SHEETS 13

ARRIA High Speed Bank
SHEETS 14

ARRIA V POWER
SHEETS 15

ARRIA V GROUND
SHEETS 16


FPGA Decoupling
SHEET 17

USB
SHEET 18

POWER SEQUENCER
SHEET 19

POWER SUPPLIES
SHEET 20 - 23

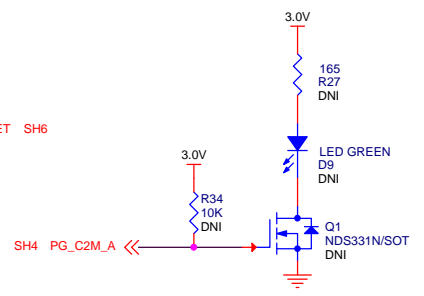
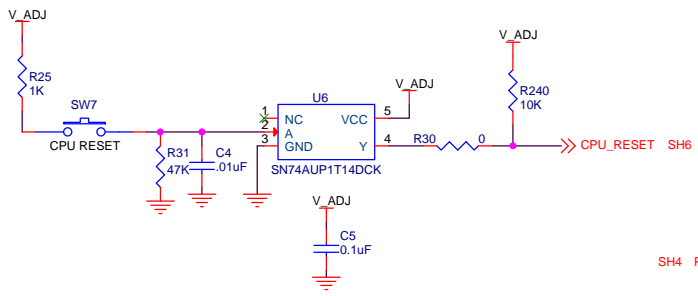
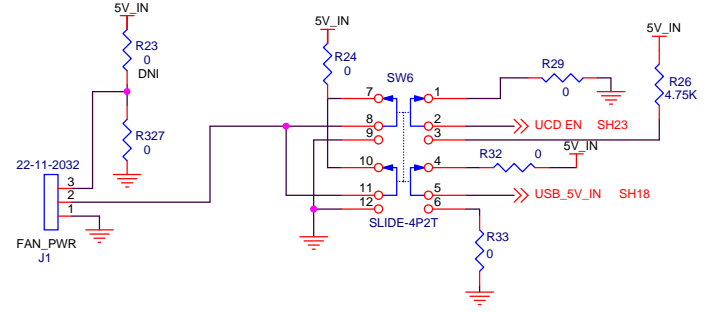
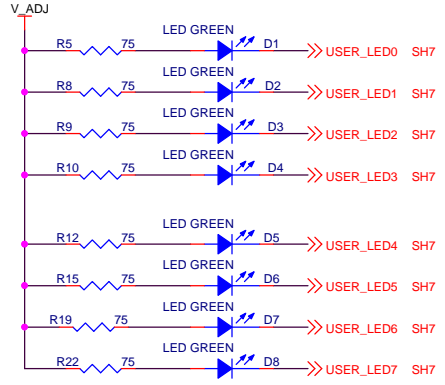
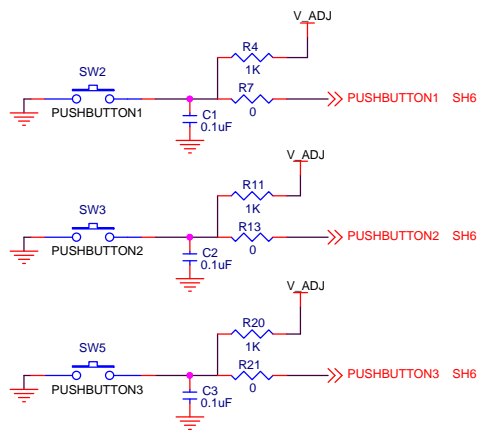
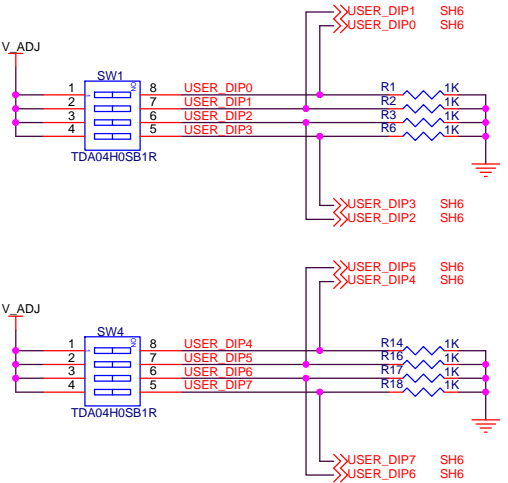
NOTE: DNI = DO NOT INSTALL COMPONENT.

 **TEXAS INSTRUMENTS**

Title: **TSW14J56**

Drawn: L. NGUYEN	Size: B	Document Number	Rev: B
Engineer: J. SETON / E. DWOBENC	Date: Thursday, August 15, 2013	Sheet 1 of 23	

Buttons, Switches, LEDs

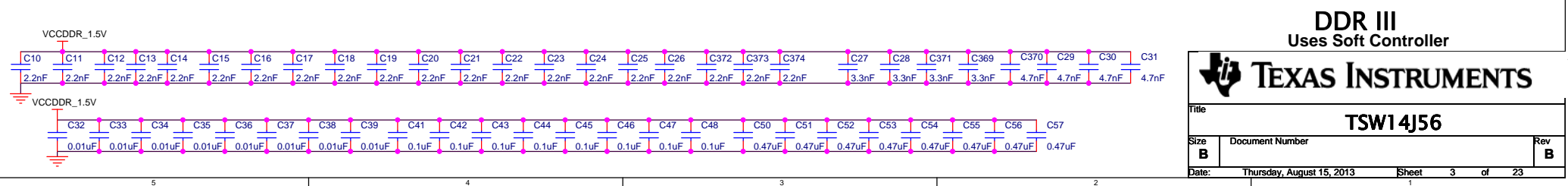
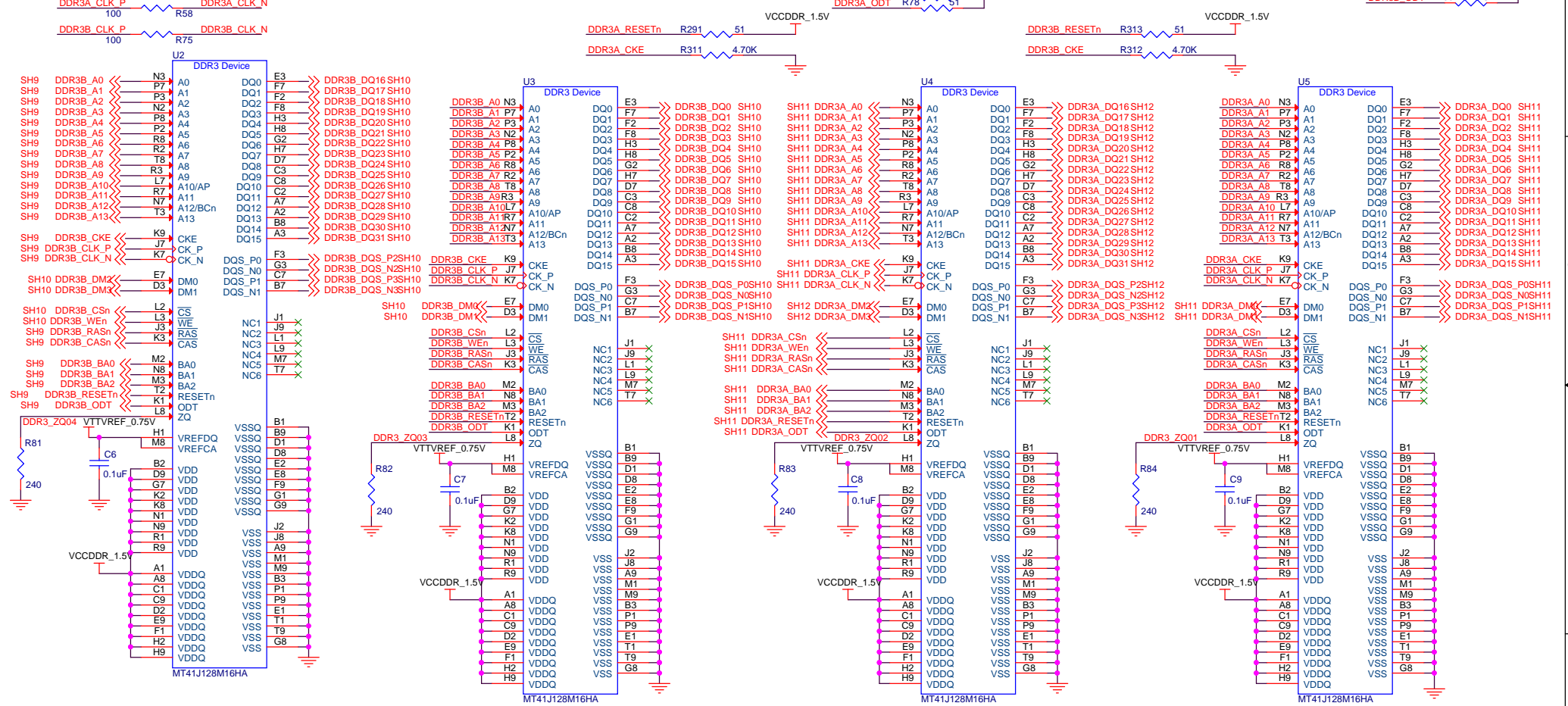
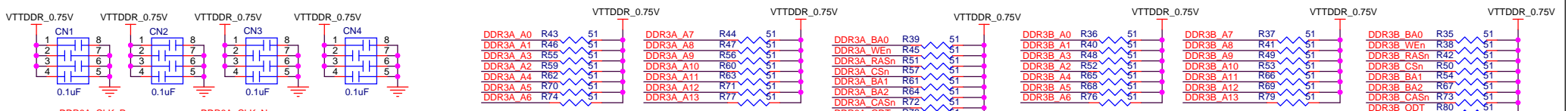


TEXAS INSTRUMENTS

Title: **TSW14J56**

Size **B** Document Number Rev **B**

Date: Thursday, August 15, 2013 Sheet 2 of 23



DDR III

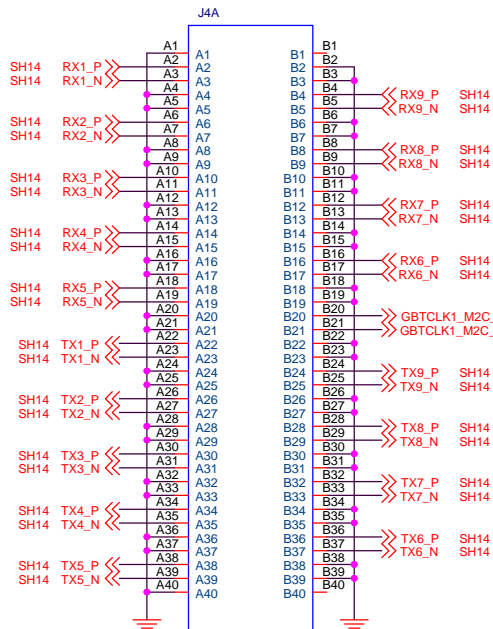
Uses Soft Controller

TEXAS INSTRUMENTS

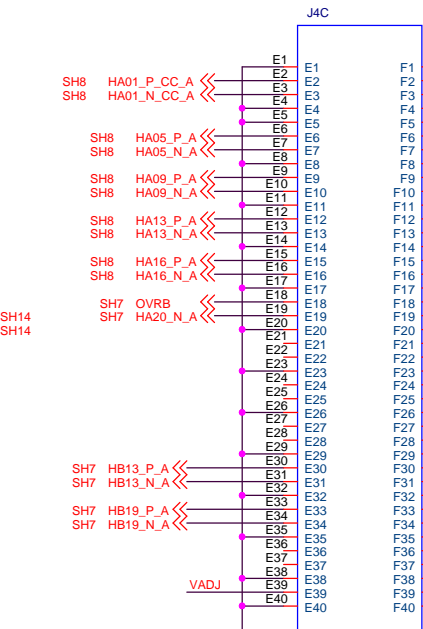
Title: **TSW14J56**

Size: **B** Document Number: **TSW14J56** Rev: **B**

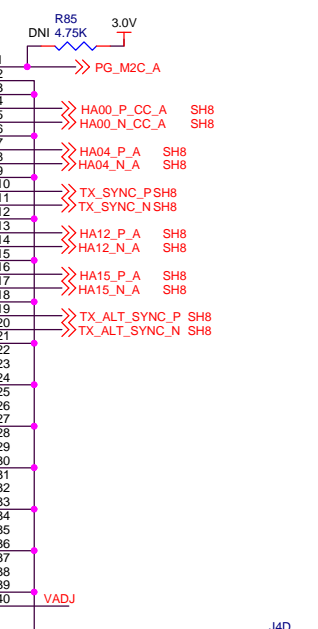
Date: Thursday, August 15, 2013 Sheet 3 of 23



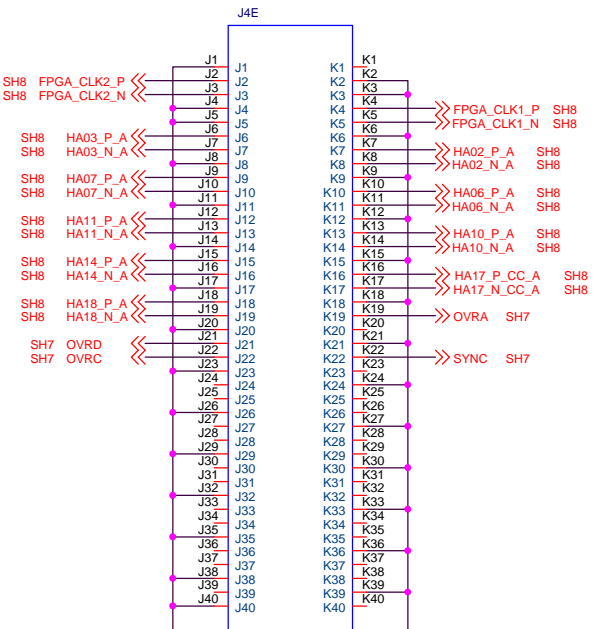
CON_40X10_VITA57_F
SEAF-40-05.0-S-10-2-A-K-TR



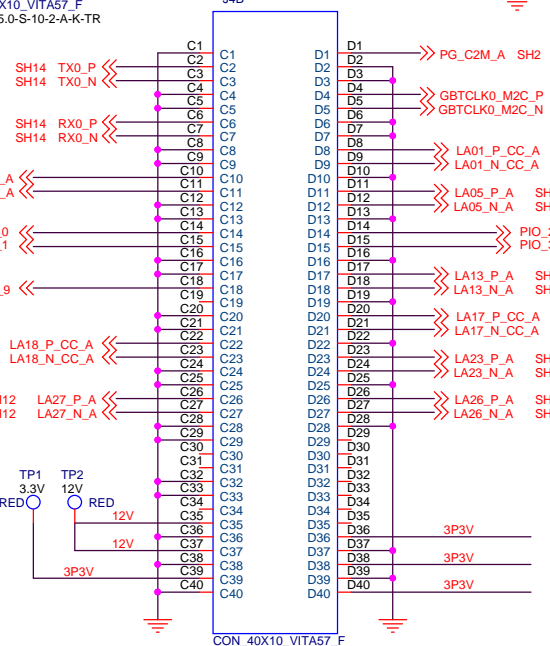
CON_40X10_VITA57_F
SEAF-40-05.0-S-10-2-A-K-TR



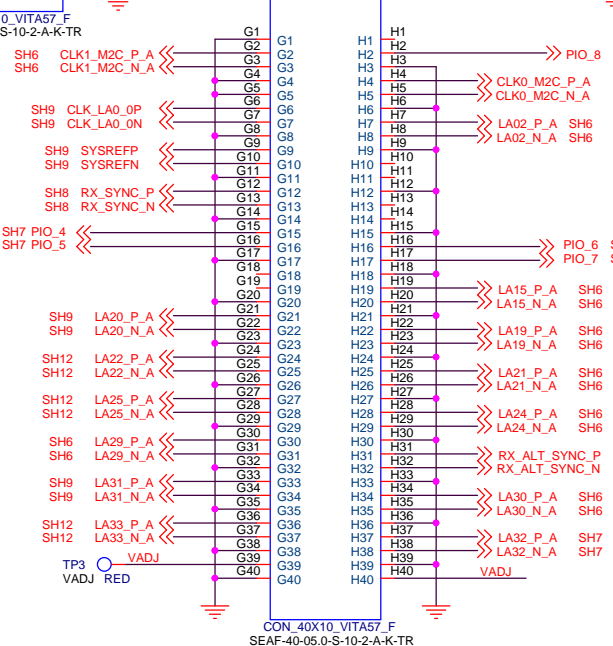
CON_40X10_VITA57_F
SEAF-40-05.0-S-10-2-A-K-TR



CON_40X10_VITA57_F
SEAF-40-05.0-S-10-2-A-K-TR



CON_40X10_VITA57_F
SEAF-40-05.0-S-10-2-A-K-TR



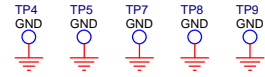
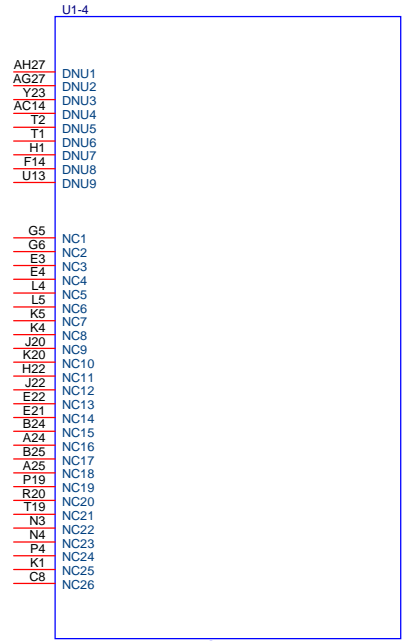
CON_40X10_VITA57_F
SEAF-40-05.0-S-10-2-A-K-TR

FPGA=CARRIER
DUT=MEZ
M2C - ADC
C2M - DAC

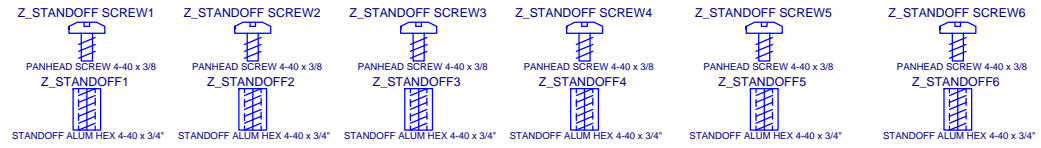

FMC HPC CONNECTOR



Title		TSW14J56	
Size	Document Number	Rev	
B		1	B
Date:	Thursday, August 15, 2013	Sheet	4 of 23



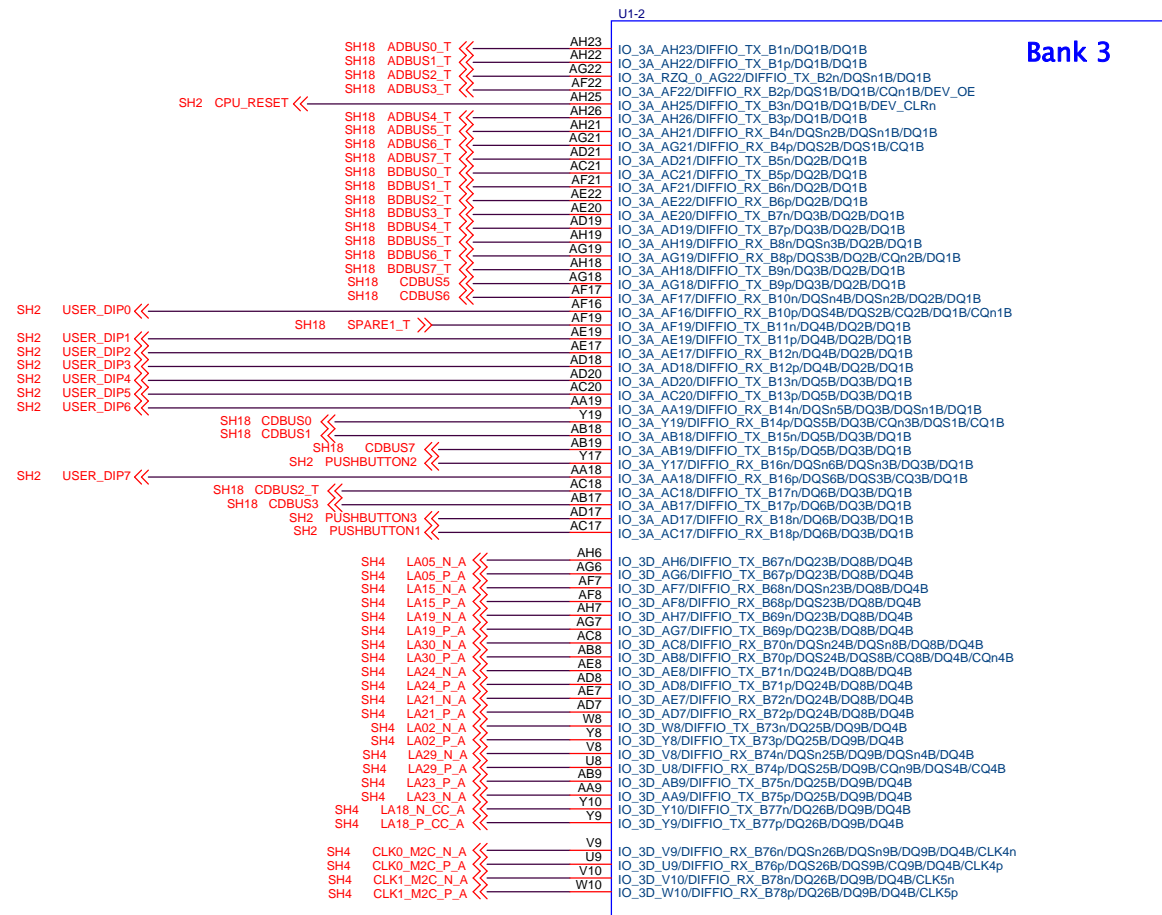
MECHANICAL PARTS

TEXAS INSTRUMENTS


Title: **TSW14J56**

Size B	Document Number	Rev B
Date: Friday, August 16, 2013	Sheet 5 of 23	1



ArriaV 5AGZME1EH29

BANK 3



TEXAS INSTRUMENTS

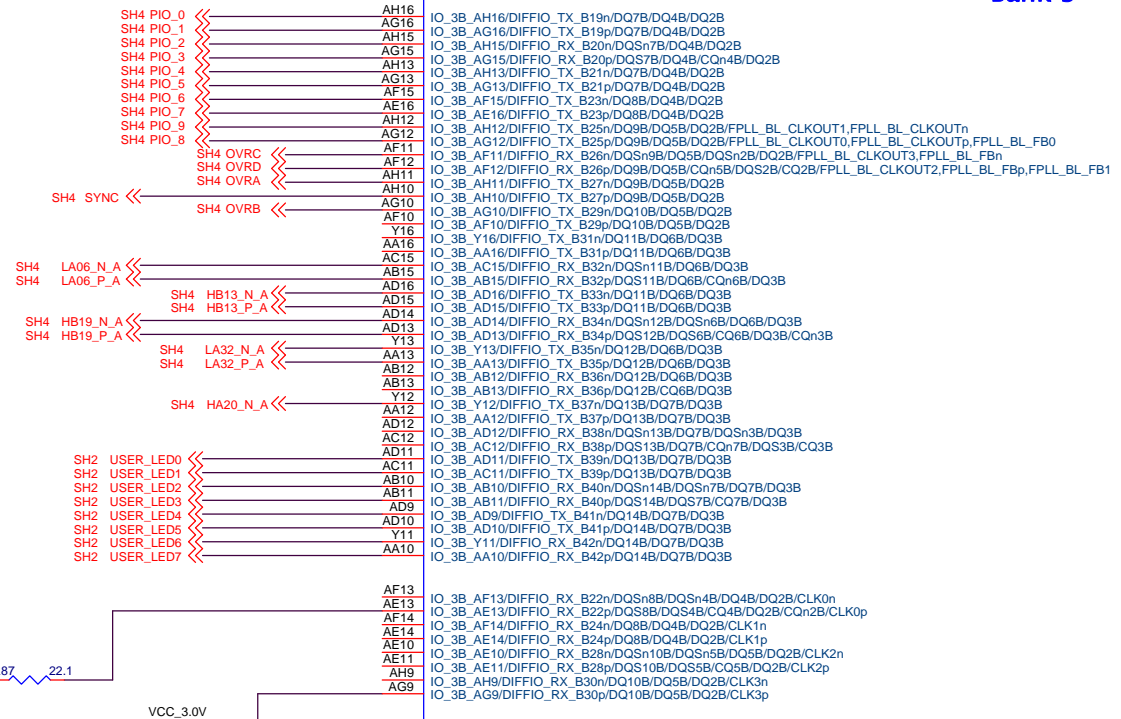
Title: **TSW14J56**

Size: **B** Document Number: **TSW14J56** Rev: **B**

Date: **Thursday, August 15, 2013** Sheet: **6** of **23**

U1-3

Bank 3

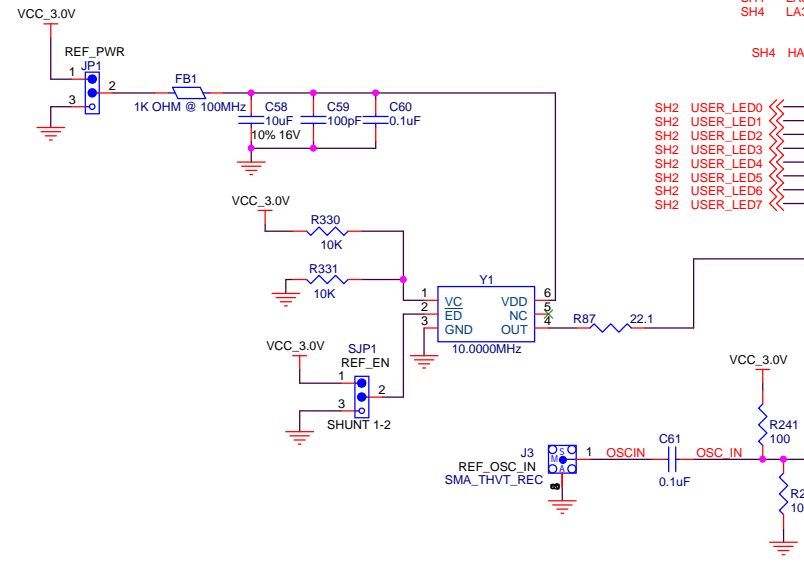


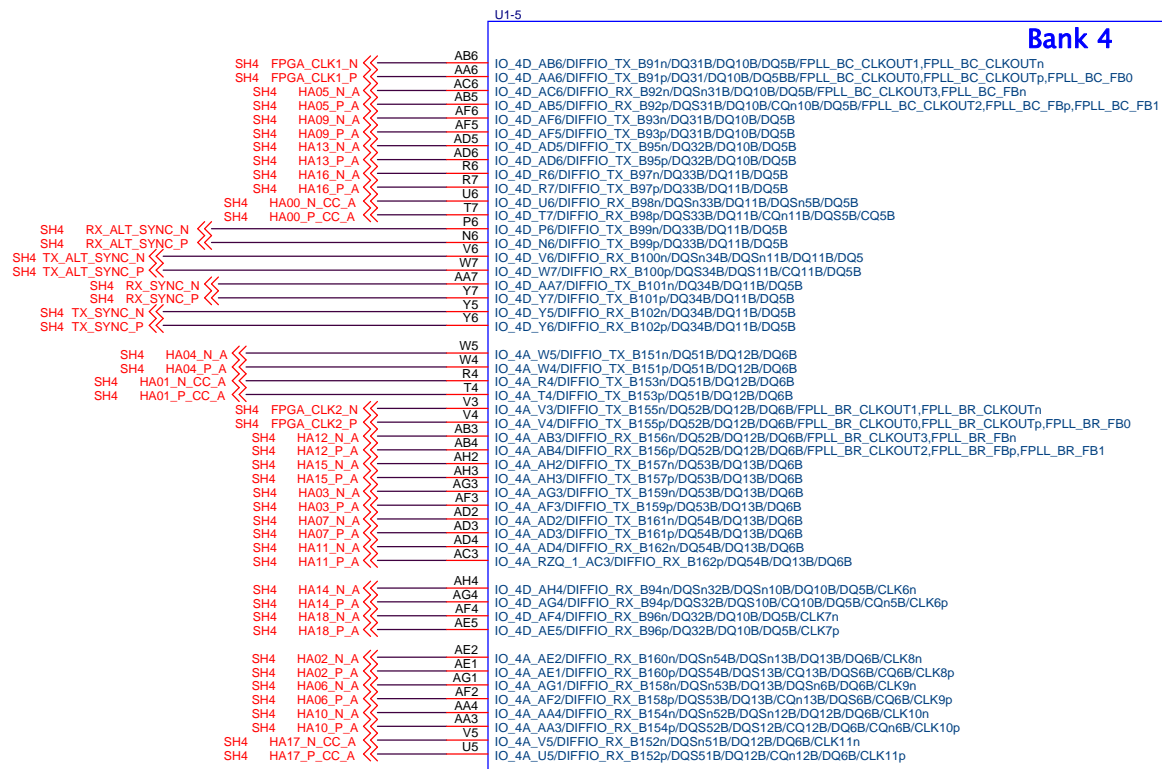
Arria V 5AGZME1EH29

BANK 3




Title		TSW14J56	
Size	Document Number	Rev	
B		B	
Date:	Thursday, August 15, 2013	Sheet	7 of 23

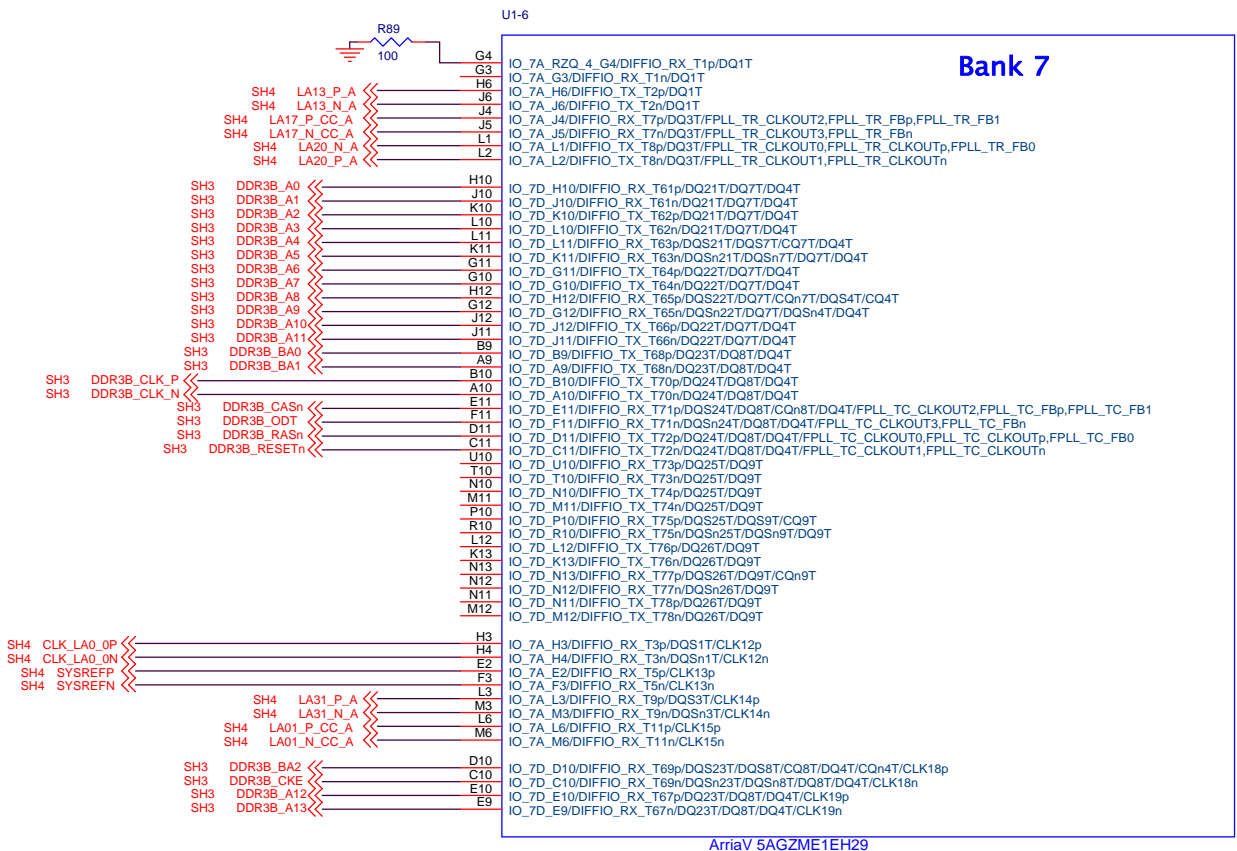




ArriaV 5AGZME1EH29

FPGA Bank 4

 TEXAS INSTRUMENTS		
Title TSW14J56		
Size B	Document Number	Rev B
Date: Thursday, August 15, 2013		
Sheet		8 of 23



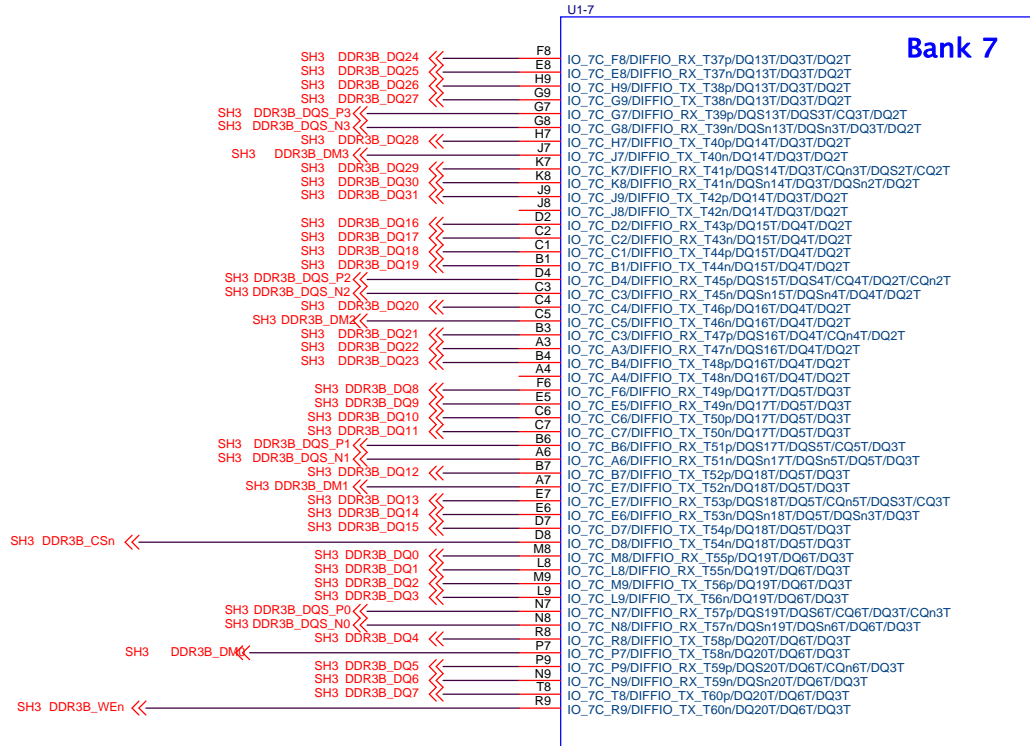
FPGA Bank 7

TEXAS INSTRUMENTS

Title: **TSW14J56**

Size: **B** Document Number: _____ Rev: **B**

Date: **Thursday, August 15, 2013** Sheet: **9** of **23**



ArriaV 5AGZME1EH29

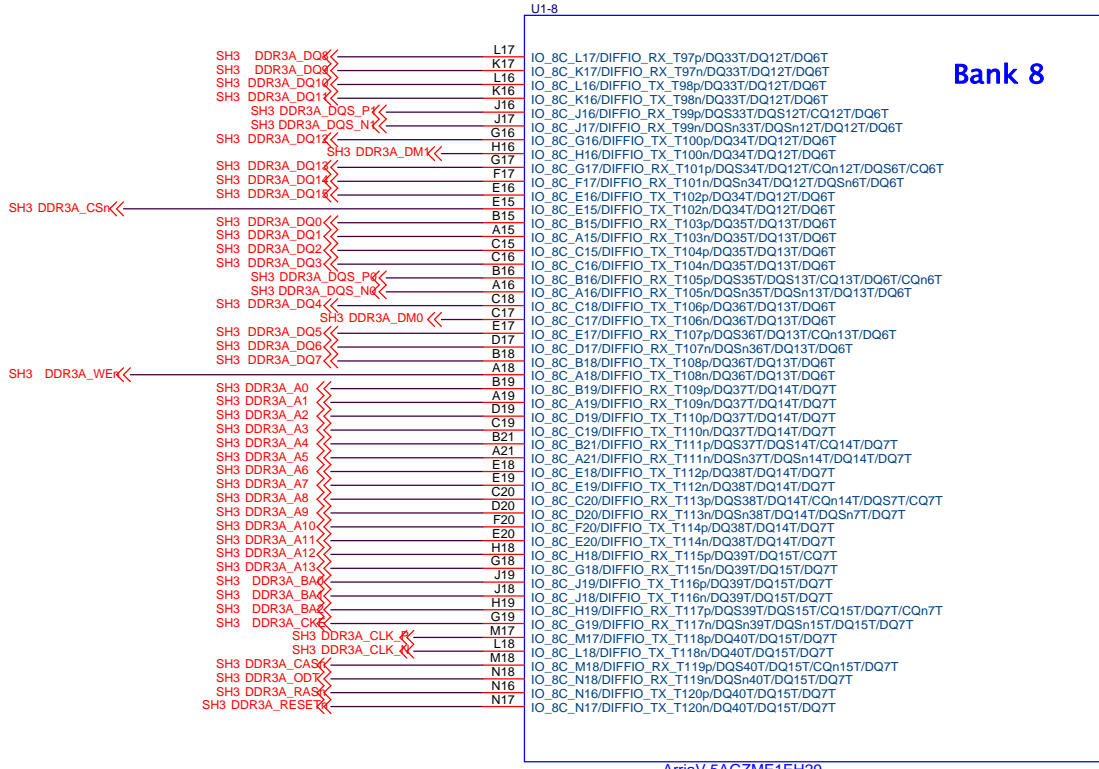
BANK 7

TEXAS INSTRUMENTS

Title TSW14J56

Size B	Document Number	Rev B
------------------	-----------------	-----------------

Date: Thursday, August 15, 2013 Sheet 10 of 23



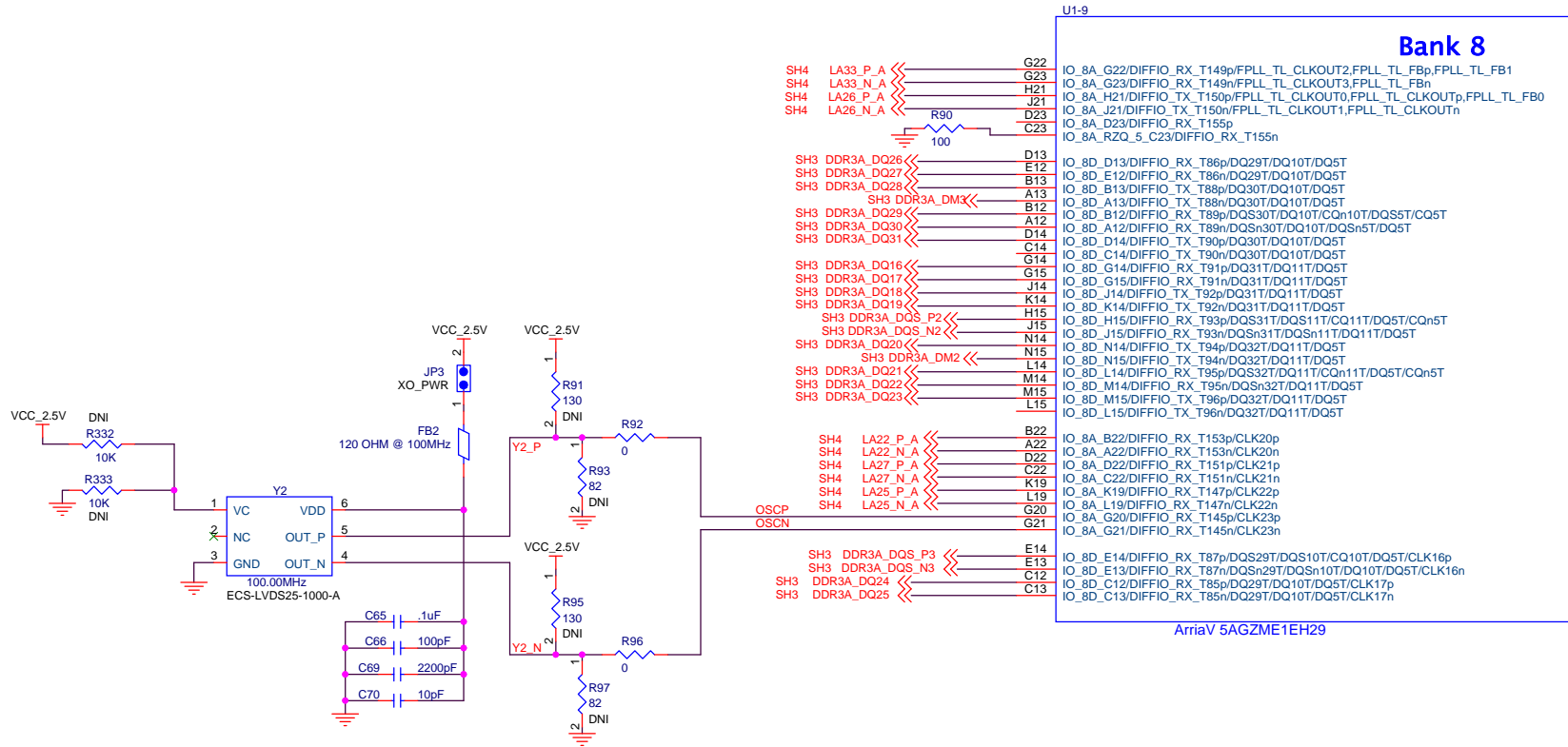
BANK 8

TEXAS INSTRUMENTS

Title: **TSW14J56**

Size: **B** Document Number: **TSW14J56** Rev: **B**

Date: Thursday, August 15, 2013 Sheet 11 of 23



ArriaV 5AGZME1EH29

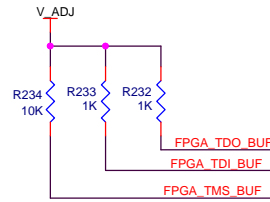
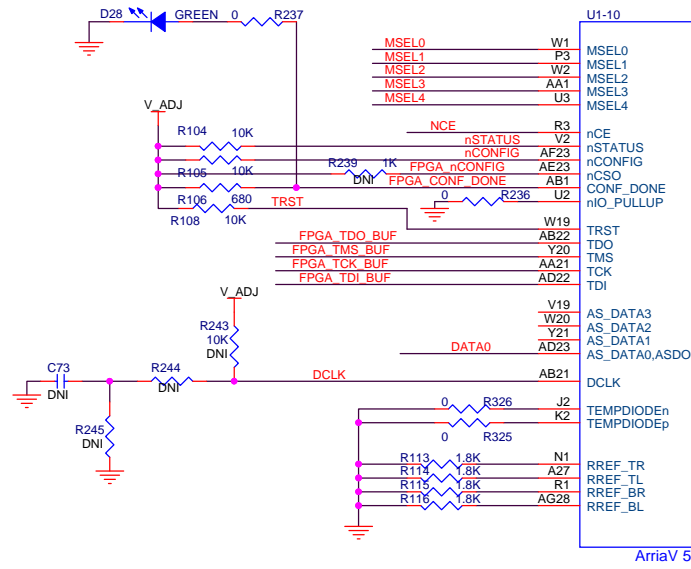
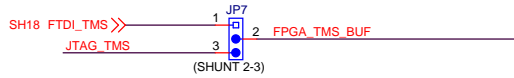
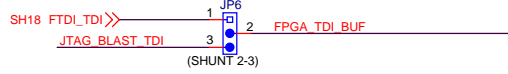
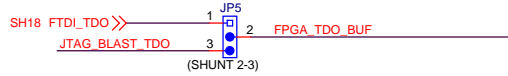
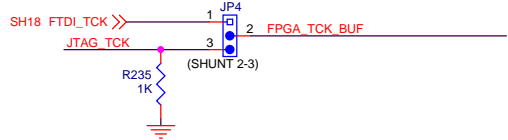
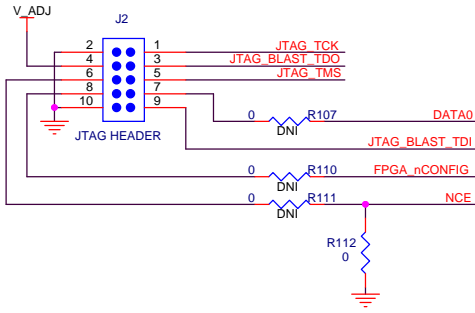
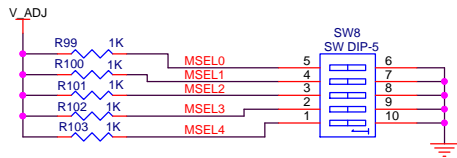
BANK 8

TEXAS INSTRUMENTS

Title: **TSW14J56**

Size: **B** Document Number: **TSW14J56** Rev: **B**

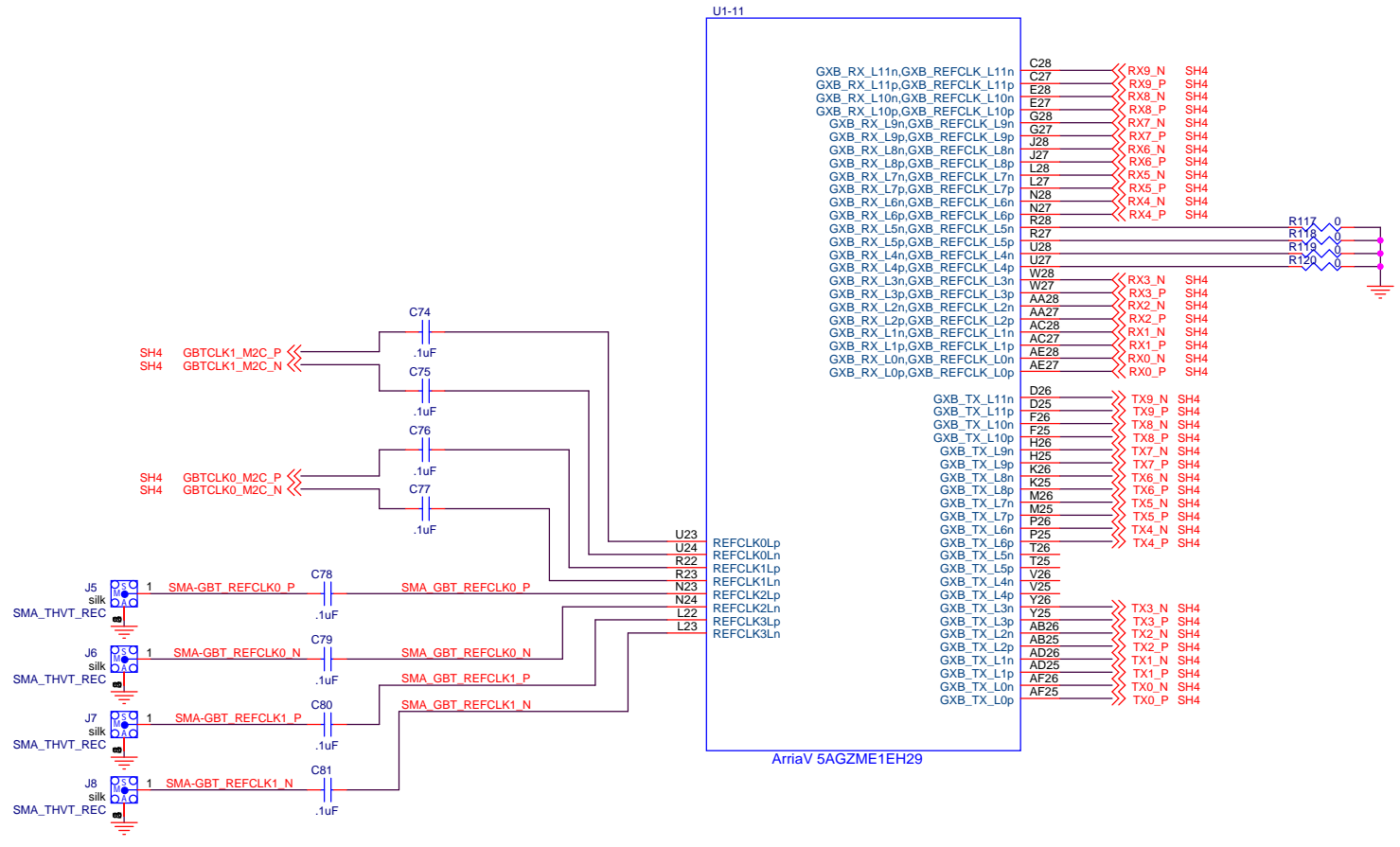
Date: Thursday, August 15, 2013 Sheet 12 of 23



FPGA CONFIGURATION



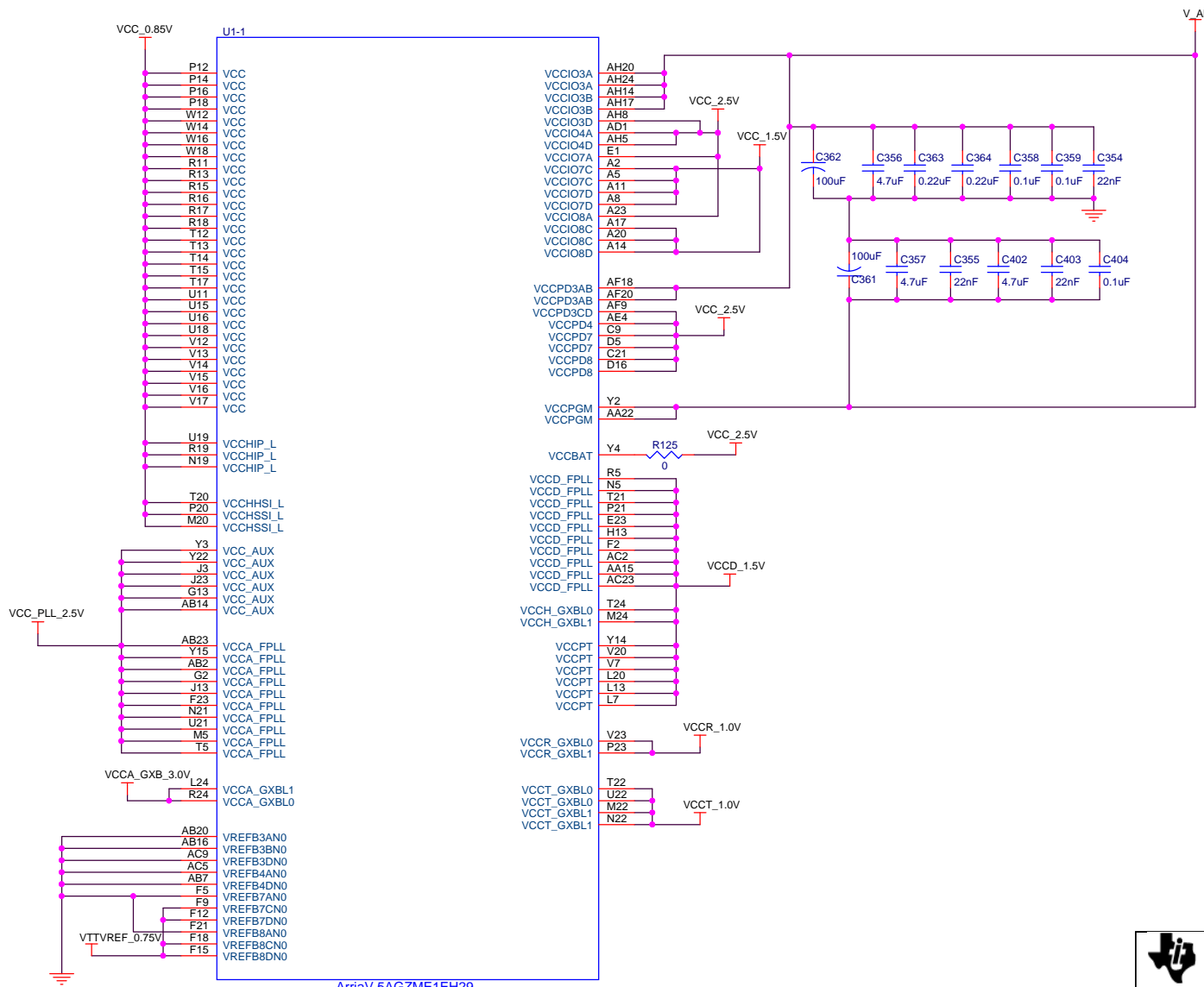
Title		TSW14J56	
Size	Document Number		Rev
B			B
Date:	Thursday, August 15, 2013	Sheet	13 of 23



HIGH SPEED BANK



Title		TSW14J56	
Size	Document Number	Rev	
B		B	
Date:	Thursday, August 15, 2013	Sheet	14 of 23

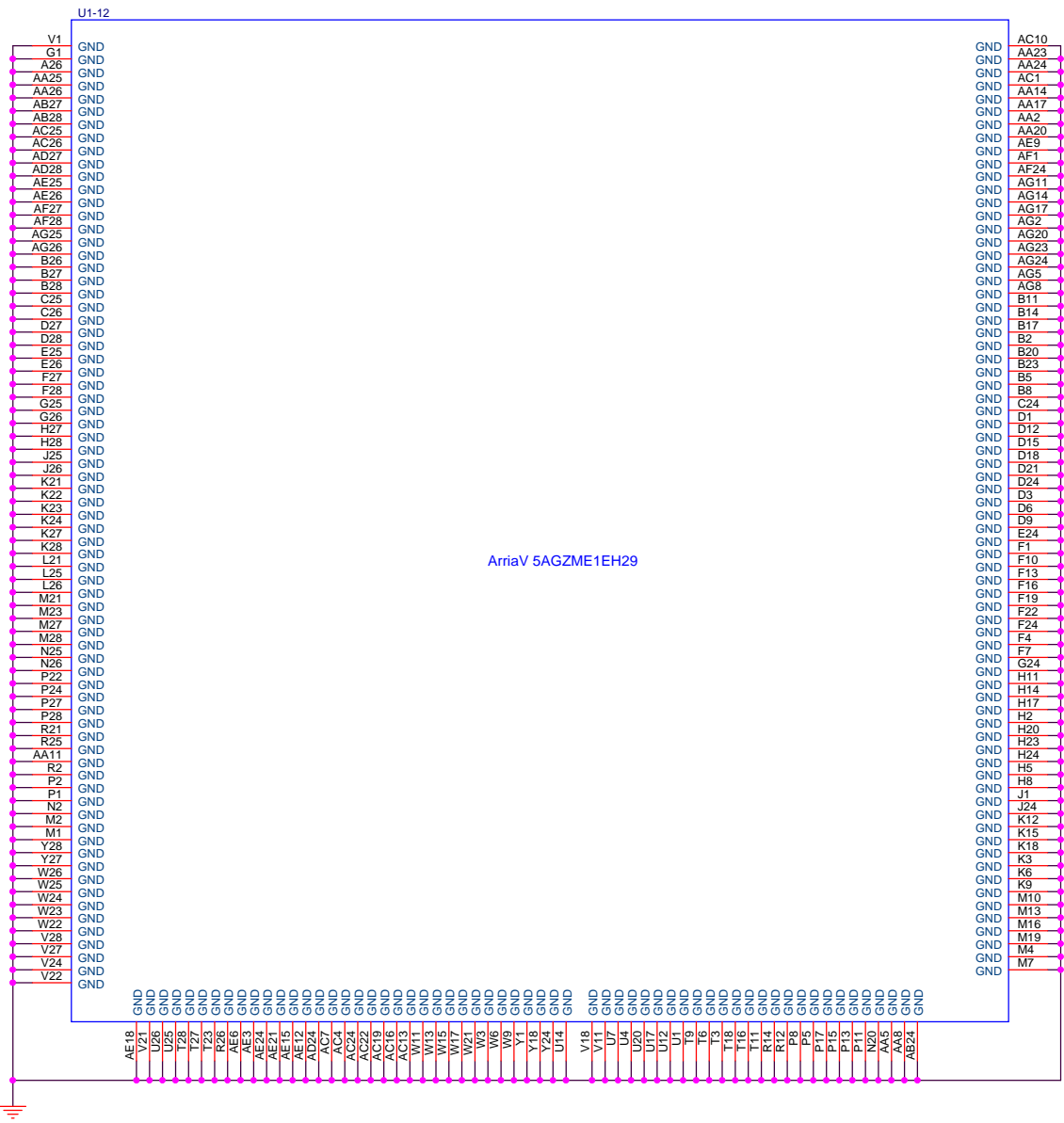


ArriaV 5AGZME1EH29

FPGA POWER




Title		TSW14J56	
Size	Document Number	Rev	
B		B	
Date:	Thursday, August 15, 2013	Sheet	15 of 23



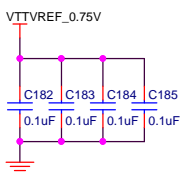
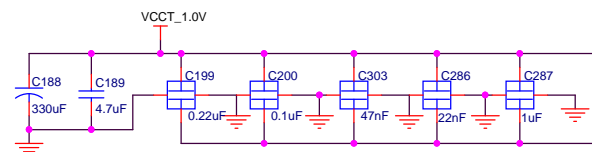
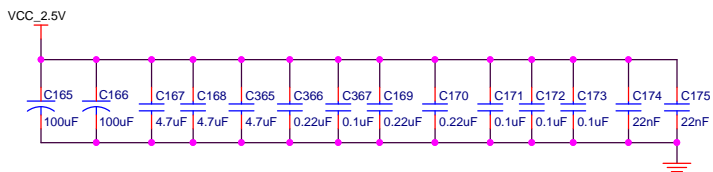
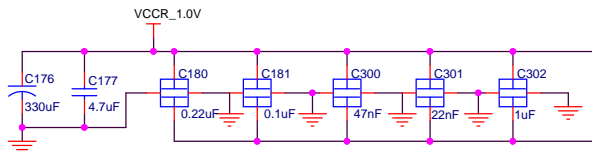
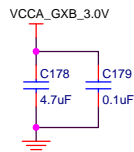
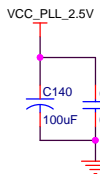
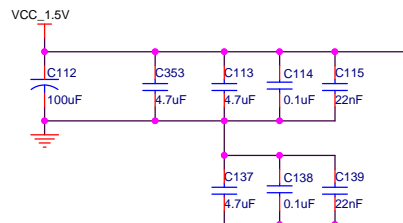
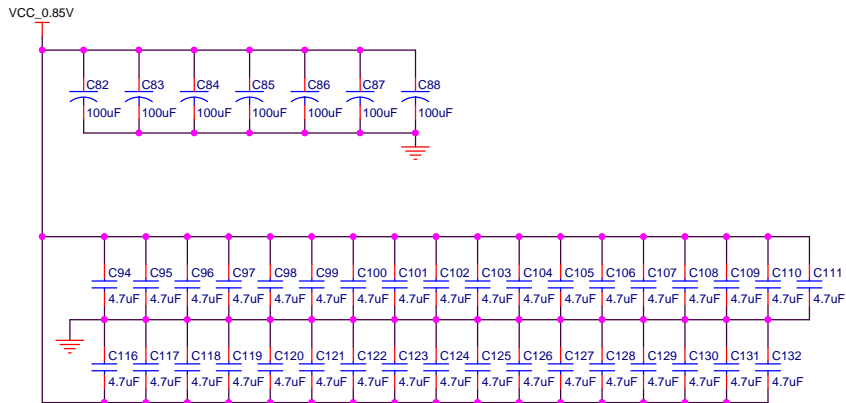
Arria V 5AGZME1EH29

FPGA GROUND



TEXAS INSTRUMENTS

Title		TSW14J56	
Size	Document Number	Rev B	
Date:	Thursday, August 15, 2013	Sheet	16 of 23

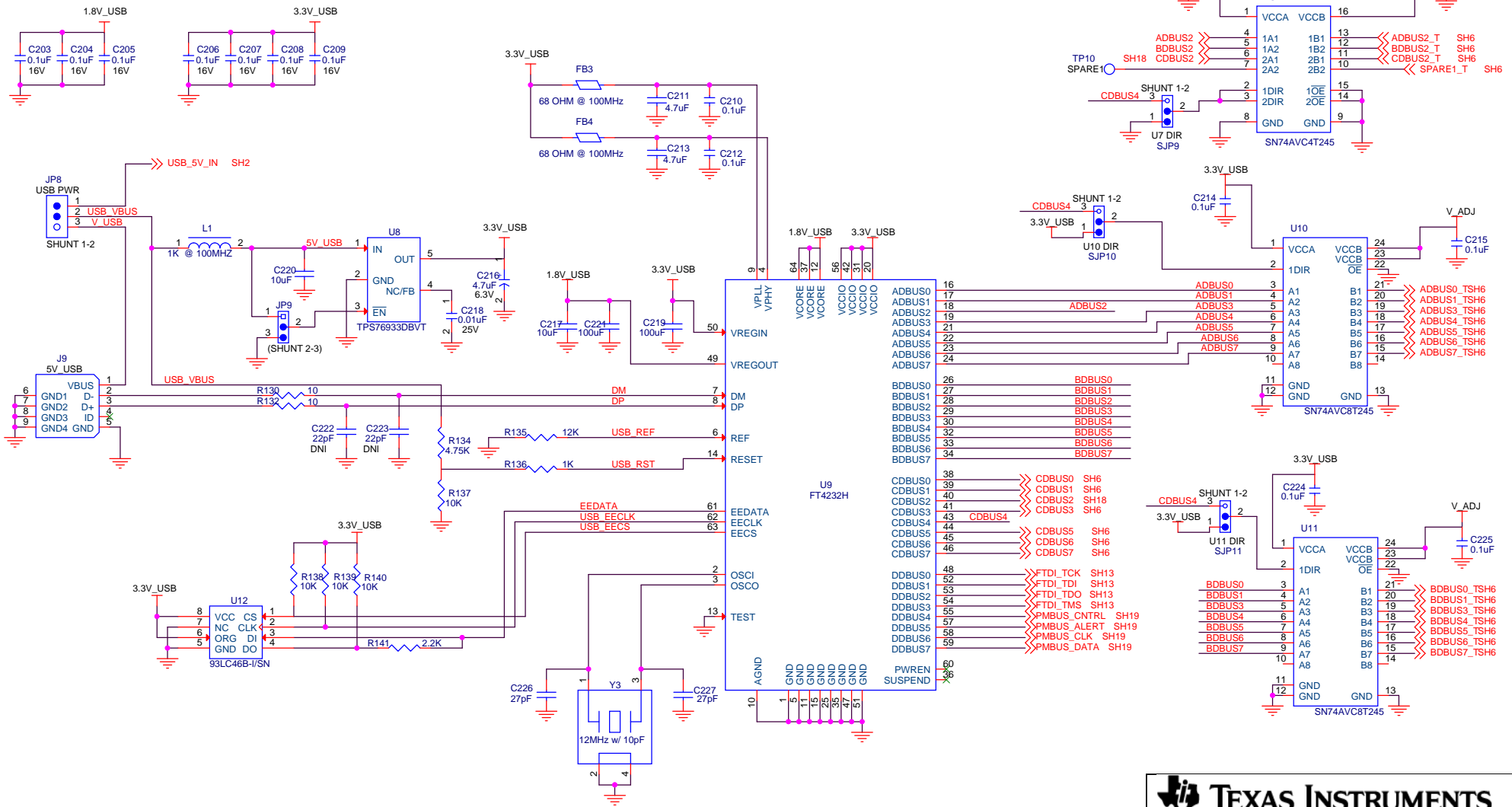



FPGA Decoupling

TEXAS INSTRUMENTS

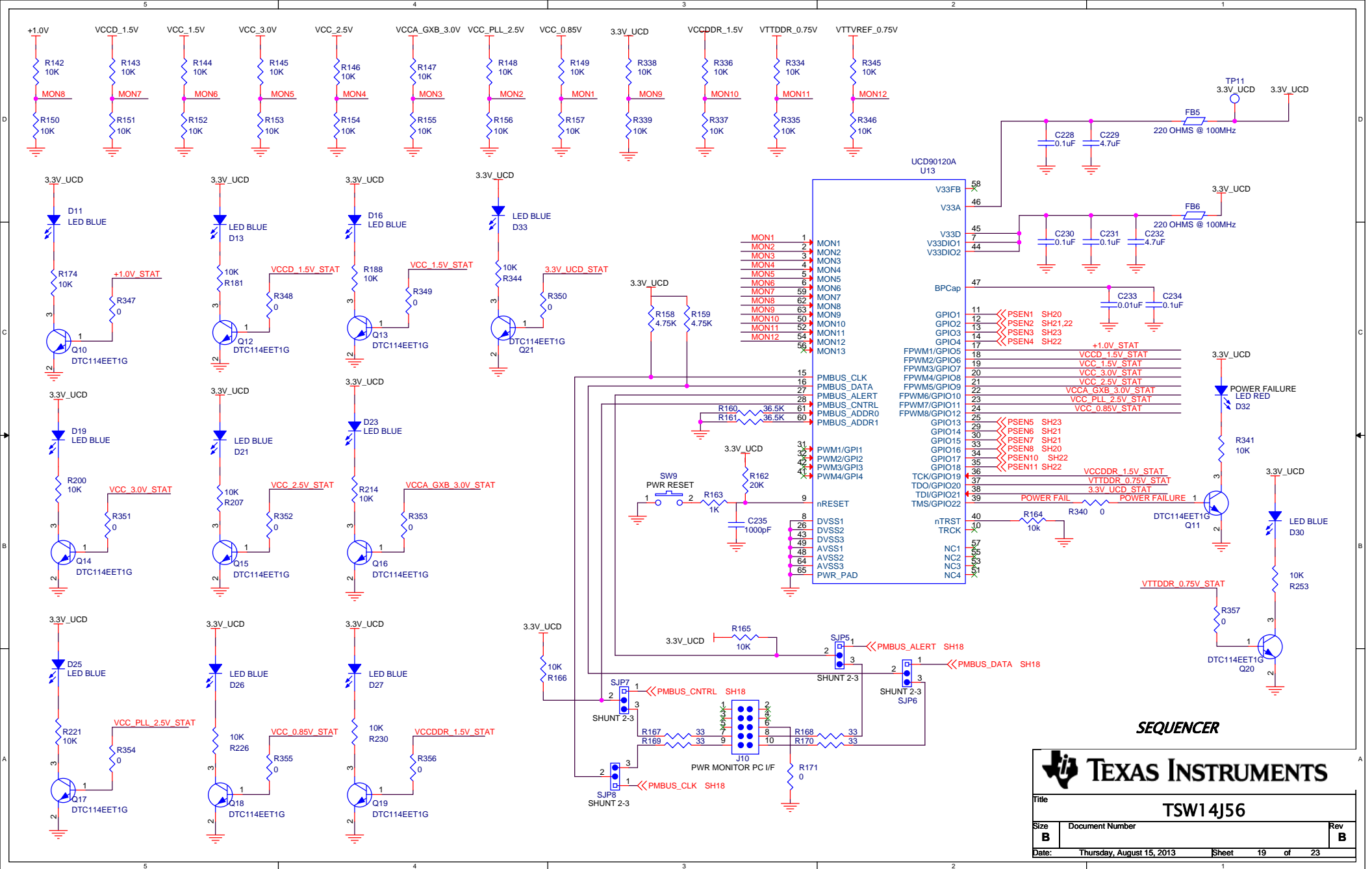
Title		TSW14J56	
Size	Document Number		Rev B
Date:	Thursday, August 15, 2013	Sheet	17 of 23

USB




TEXAS INSTRUMENTS

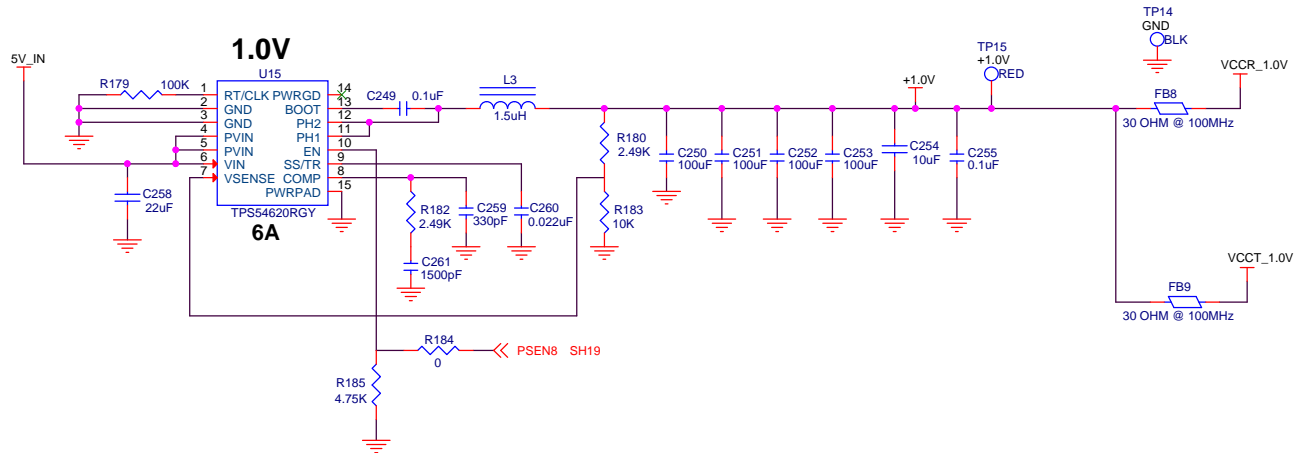
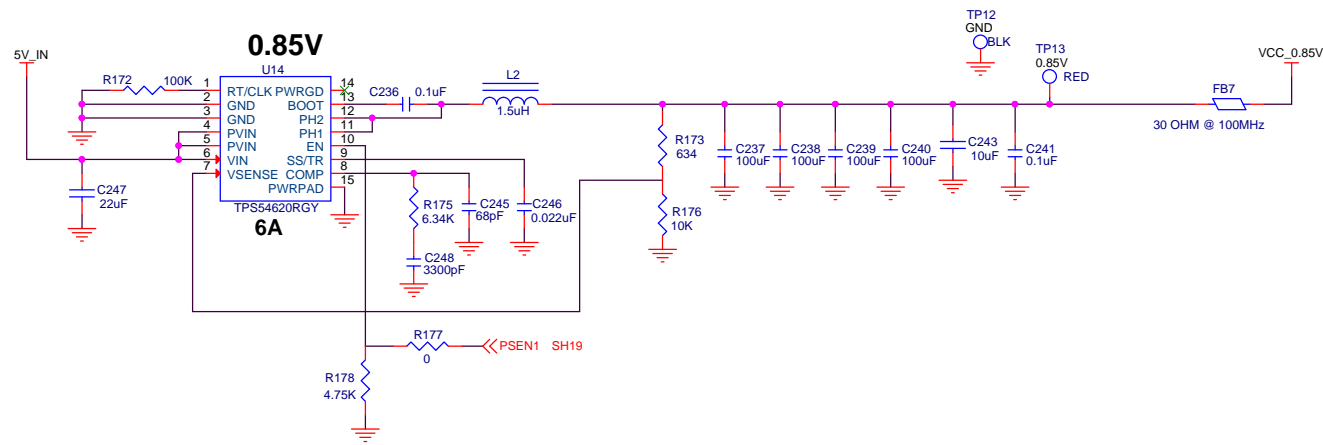
Title		TSW14J56	
Size B	Document Number	Rev B	
Date: Thursday, August 15, 2013		Sheet	18 of 23



SEQUENCER



Title		TSW14J56	
Size	Document Number	Rev	
B			B
Date:	Thursday, August 15, 2013	Sheet	19 of 23



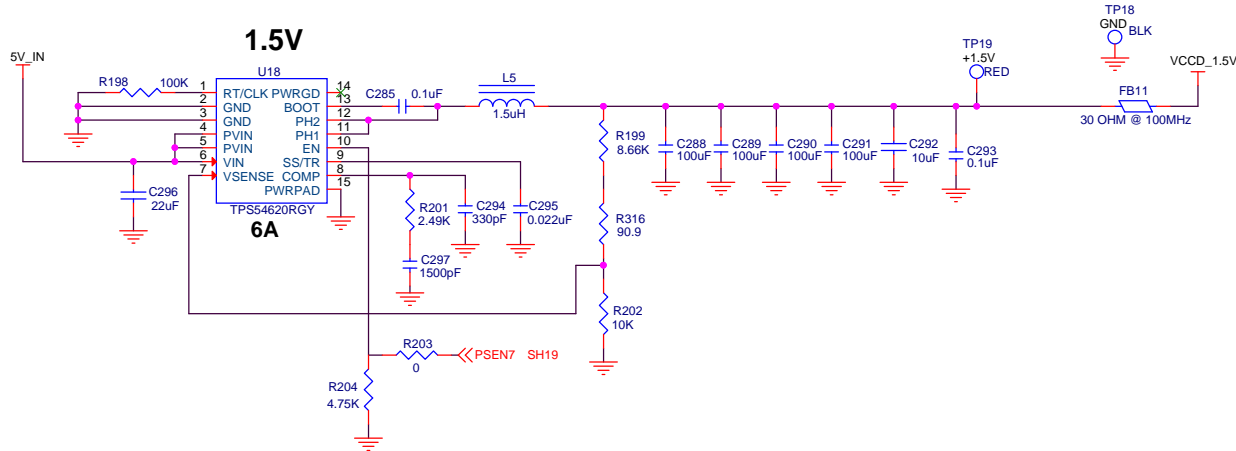
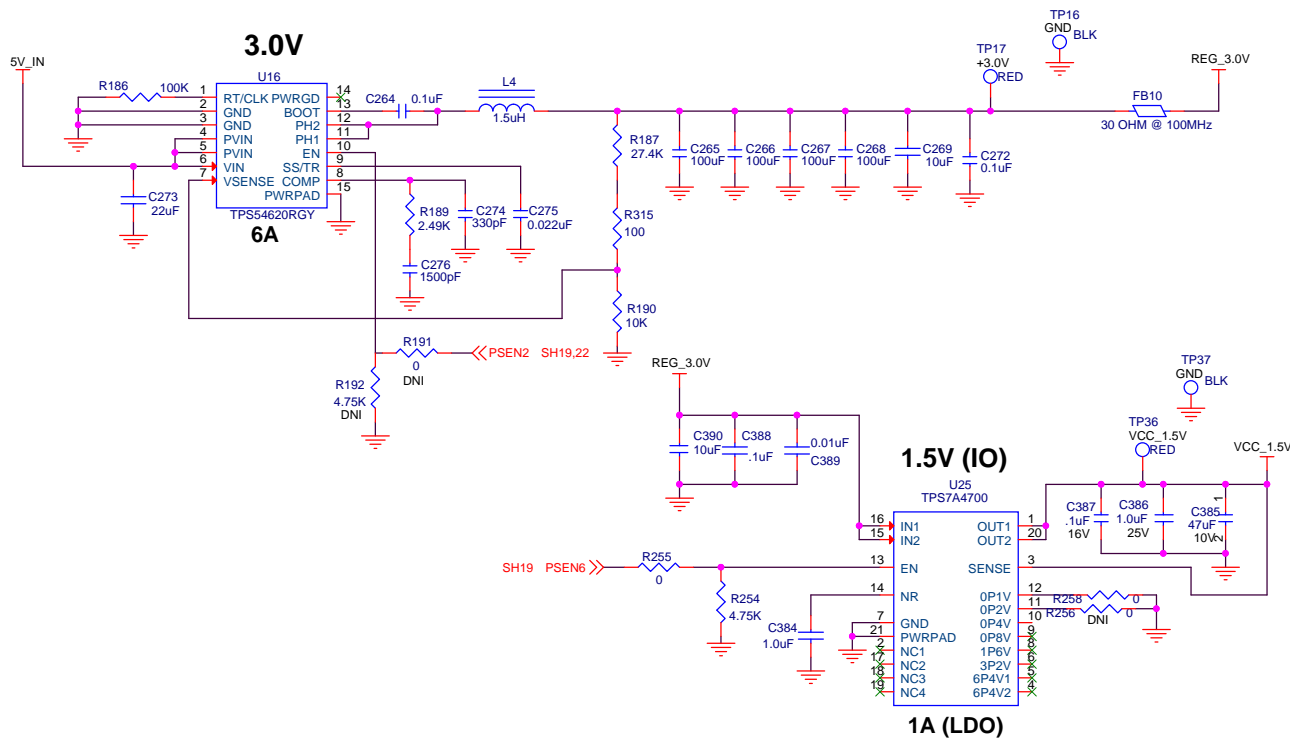
0.85V, 1.0V

TEXAS INSTRUMENTS

Title: **TSW14J56**

Size: **B** Document Number: **B**

Date: Thursday, August 15, 2013 Sheet 20 of 23



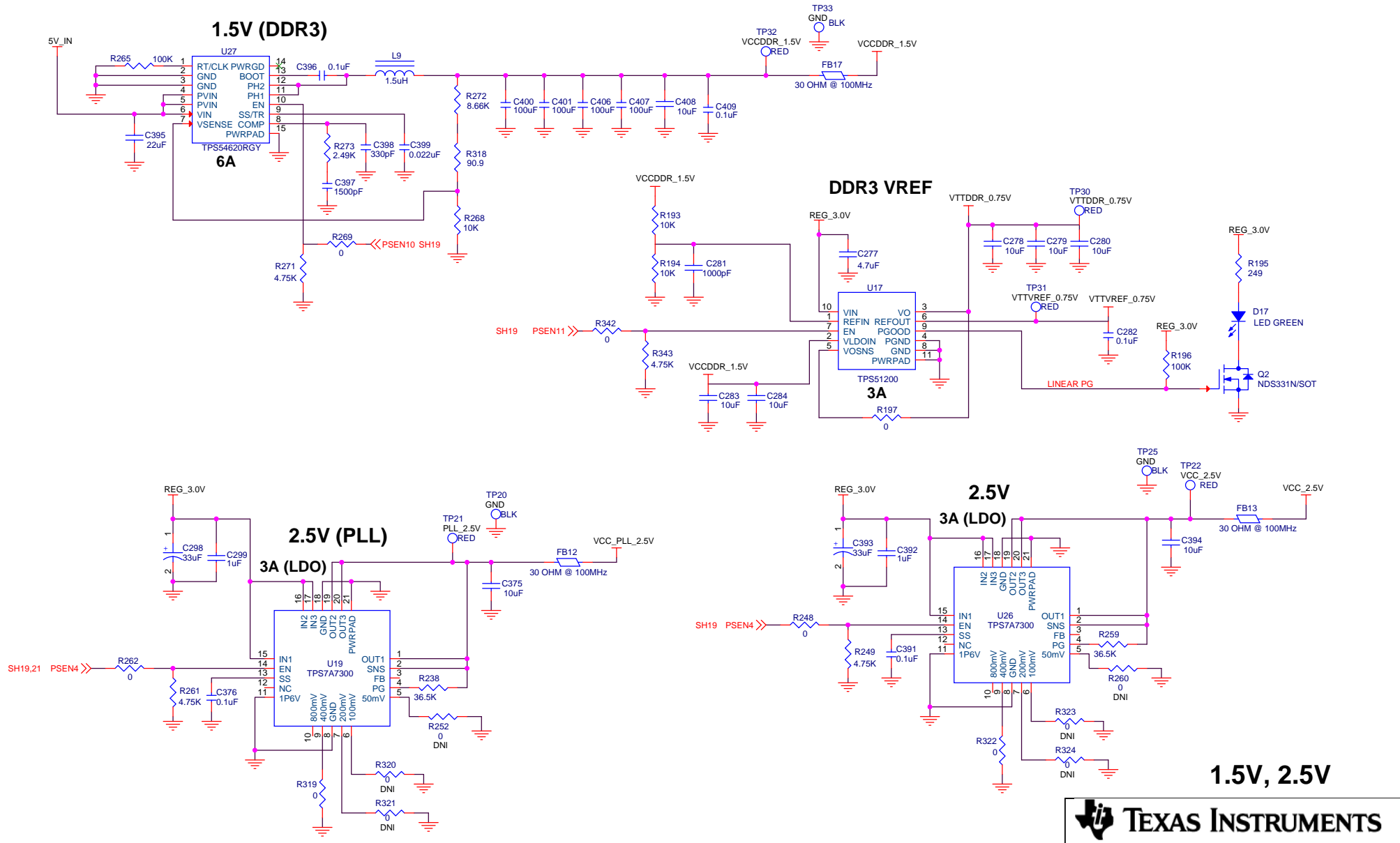
1.5V

TEXAS INSTRUMENTS

Title: **TSW14J56**

Size **B** Document Number **B**

Date: Thursday, August 15, 2013 Sheet 21 of 23



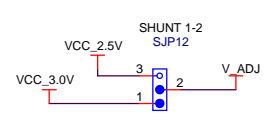
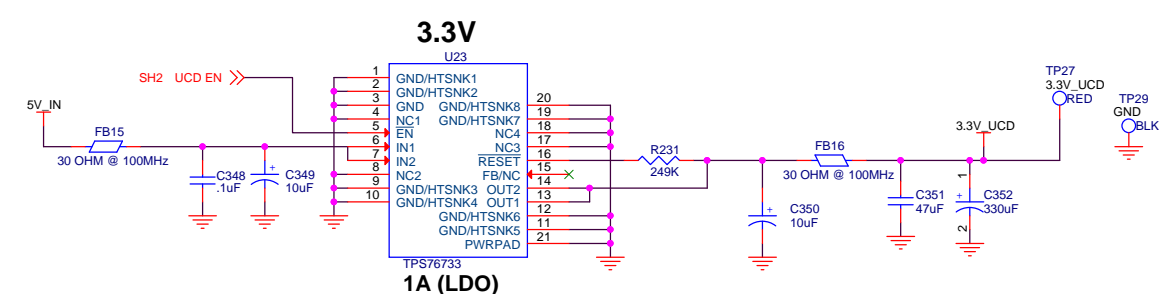
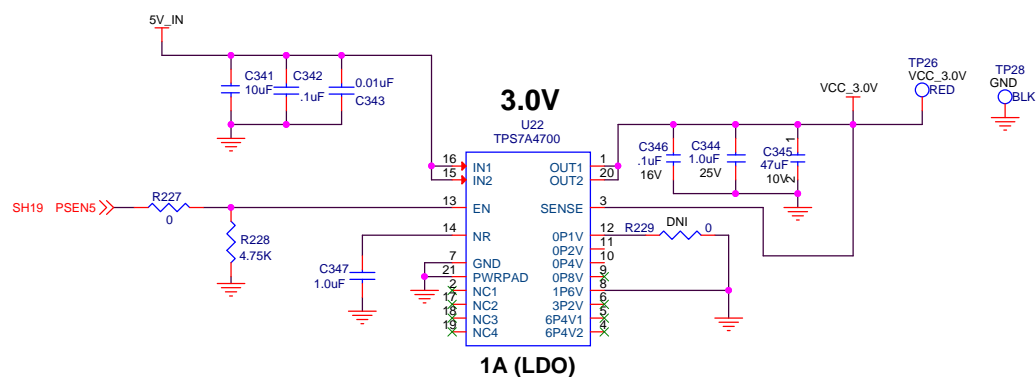
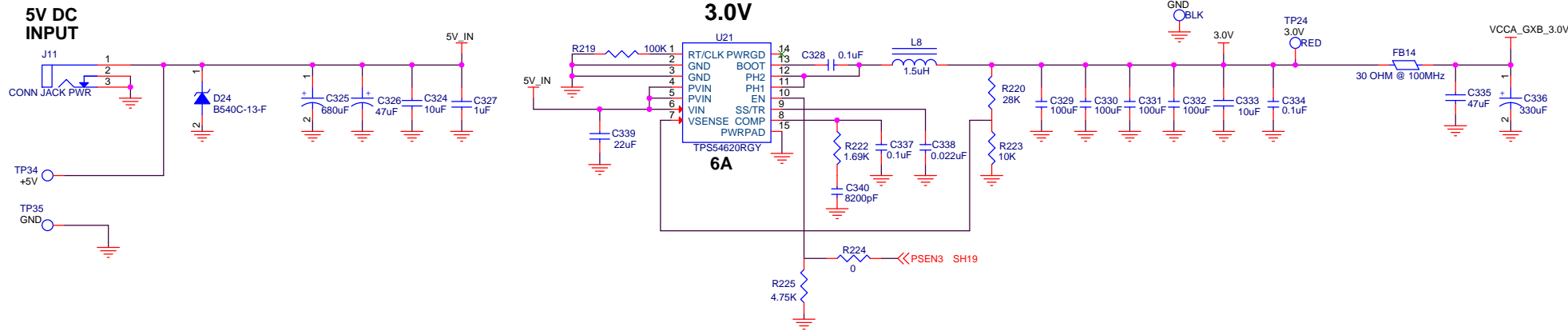
1.5V, 2.5V

TEXAS INSTRUMENTS

Title: TSW14J56

Size B Document Number Rev B

Date: Thursday, August 15, 2013 Sheet 22 of 23



3.0V, 3.3V

TEXAS INSTRUMENTS

Title: **TSW14J56**

Size: **B** Document Number: **B** Rev: **B**

Date: Thursday, August 15, 2013 Sheet 23 of 23