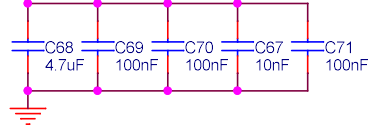
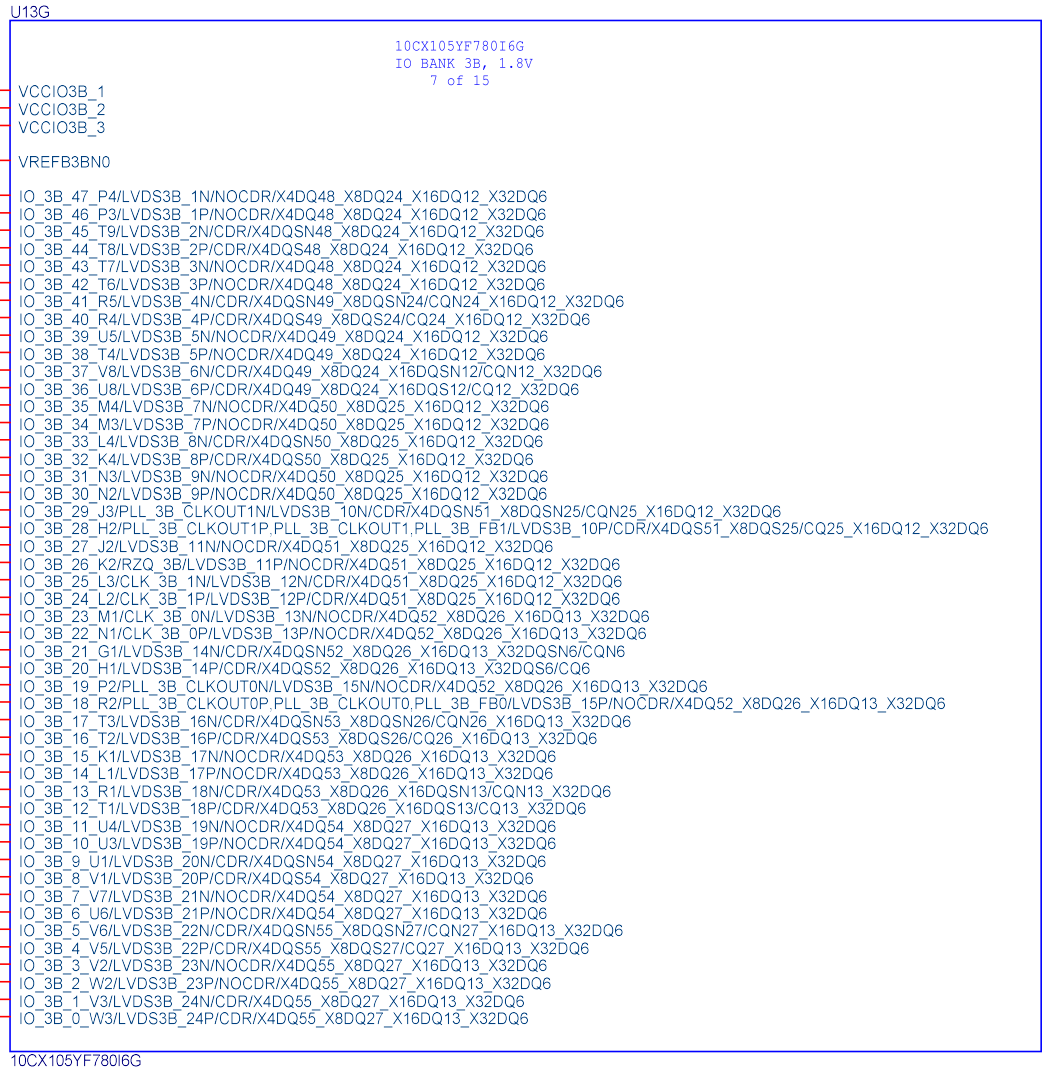


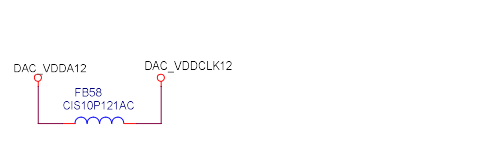
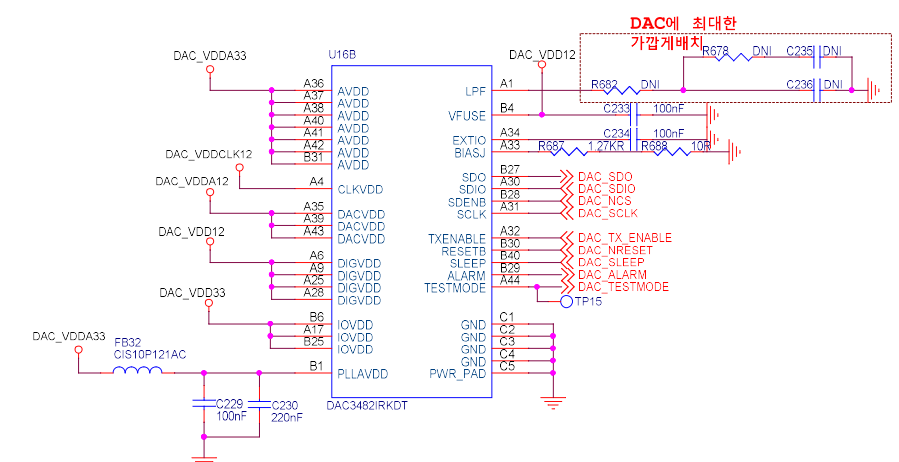
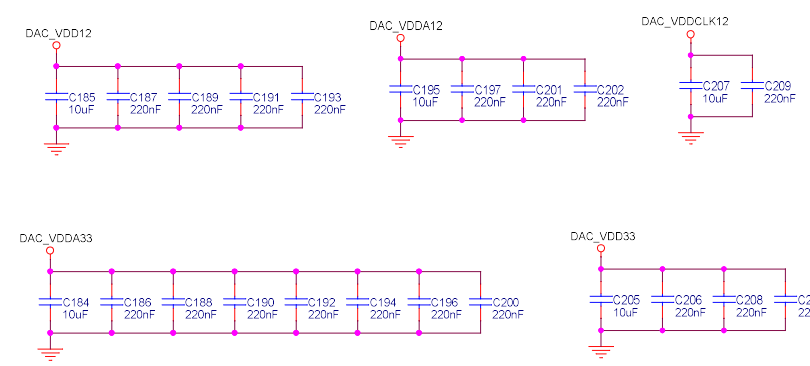
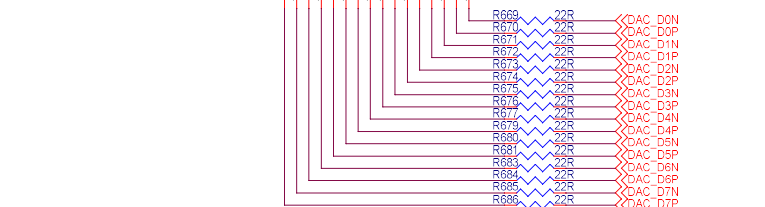
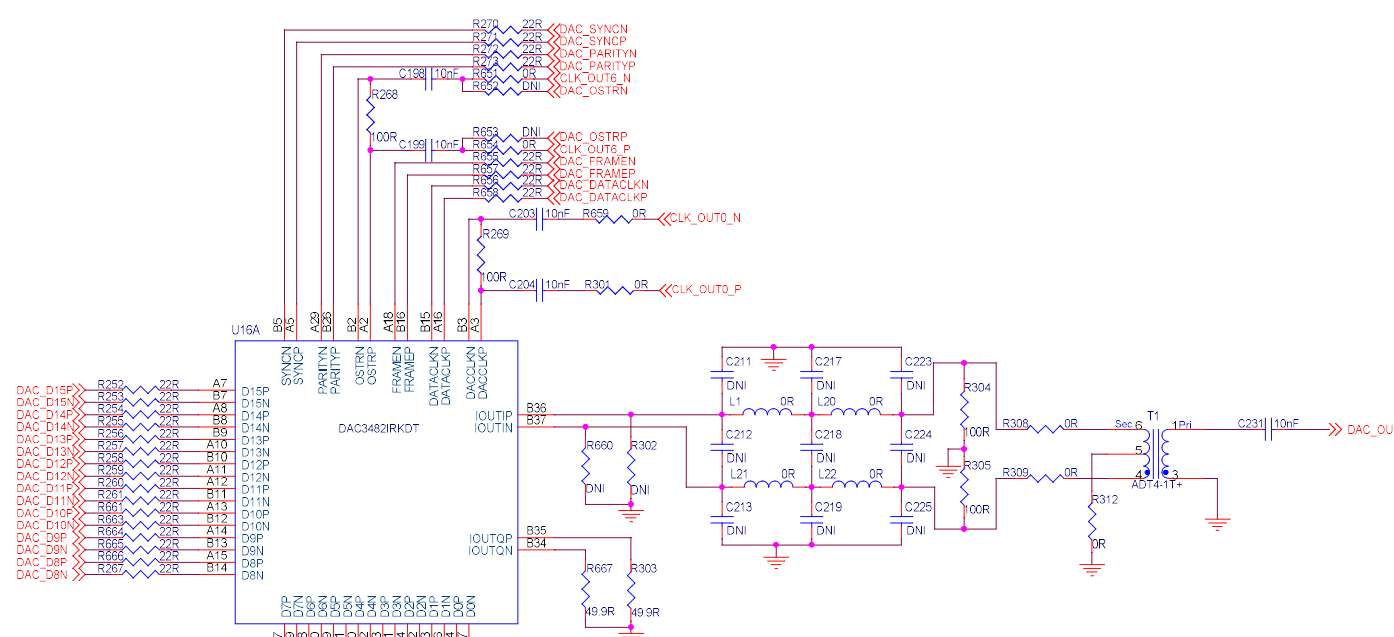
VCC_1V2_FPGA_IO



VCC_1V2_FPGA_IO



Title		
DTMF 2nd Board		
Size	Document Number	Rev
A4	FPGA to DAC	<RevCod
Date:	Wednesday, October 06, 2021	Sheet 8 of 17



Title			DTMF 2nd Board
Size	Document Number	Rev	
A3	DAC3482	<Rev Code>	
Date	Wednesday, October 06, 2021	Sheet	12 of 17