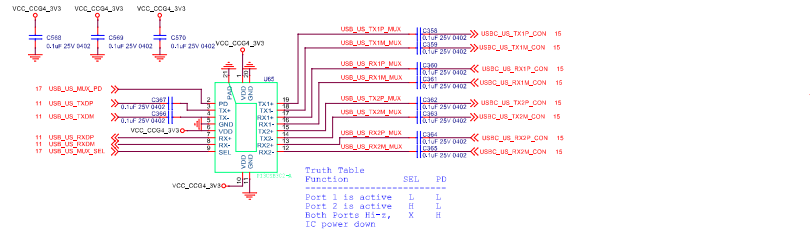
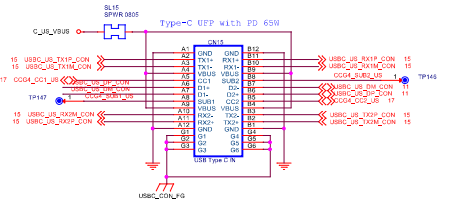


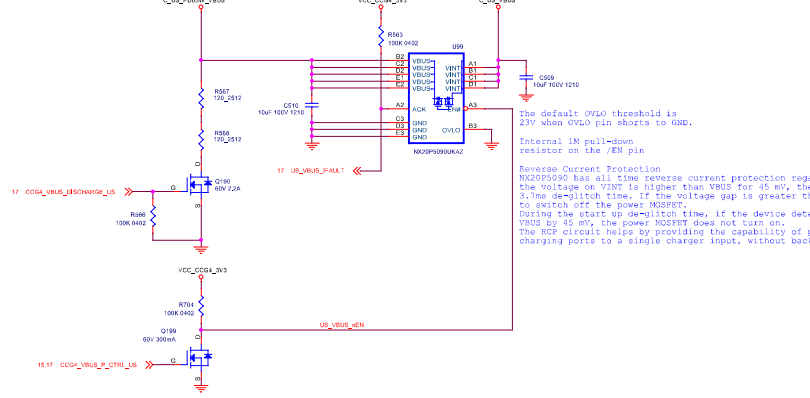
Type-C US Mux/DeMux Switch

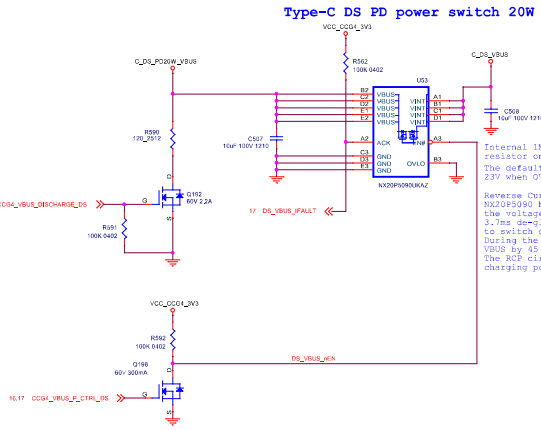
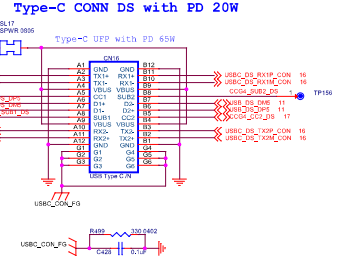
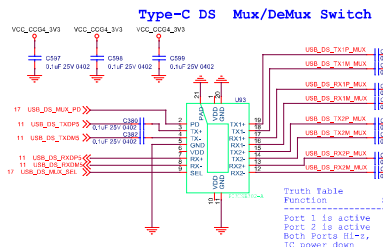
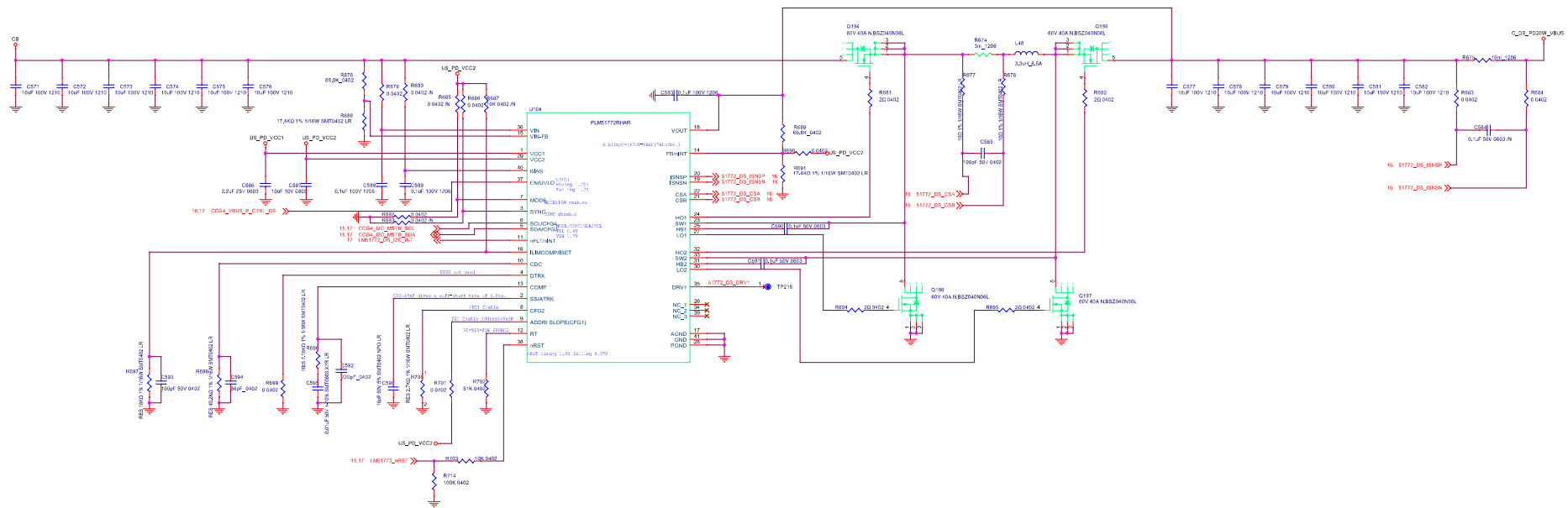


Type-C CONN US with PD 65W



Type-C US PD power switch 20W





Internal 1M pull-down resistor on the EN pin. The default OVLO threshold is 23V when OVLO pin shorts to GND.

Reverse Current Protection
 NOZ05E50 has all-siame reverse current protection regardless of the EN logic level. Once the voltage on VINT is higher than VBUS for 45 mV, the RCP circuit is triggered after a 3.7ms de-glitch time. If the voltage gap is greater than 120 mV, RCP triggers immediately to switch off the power MOSFET.

During the start-up de-glitch time, if the device detects the VINT voltage is higher than VBUS by 45 mV, the power MOSFET does not turn on. The RCP circuit helps by providing the capability of parallel connection of two USB charging ports to a single charger input, without backward leakage.