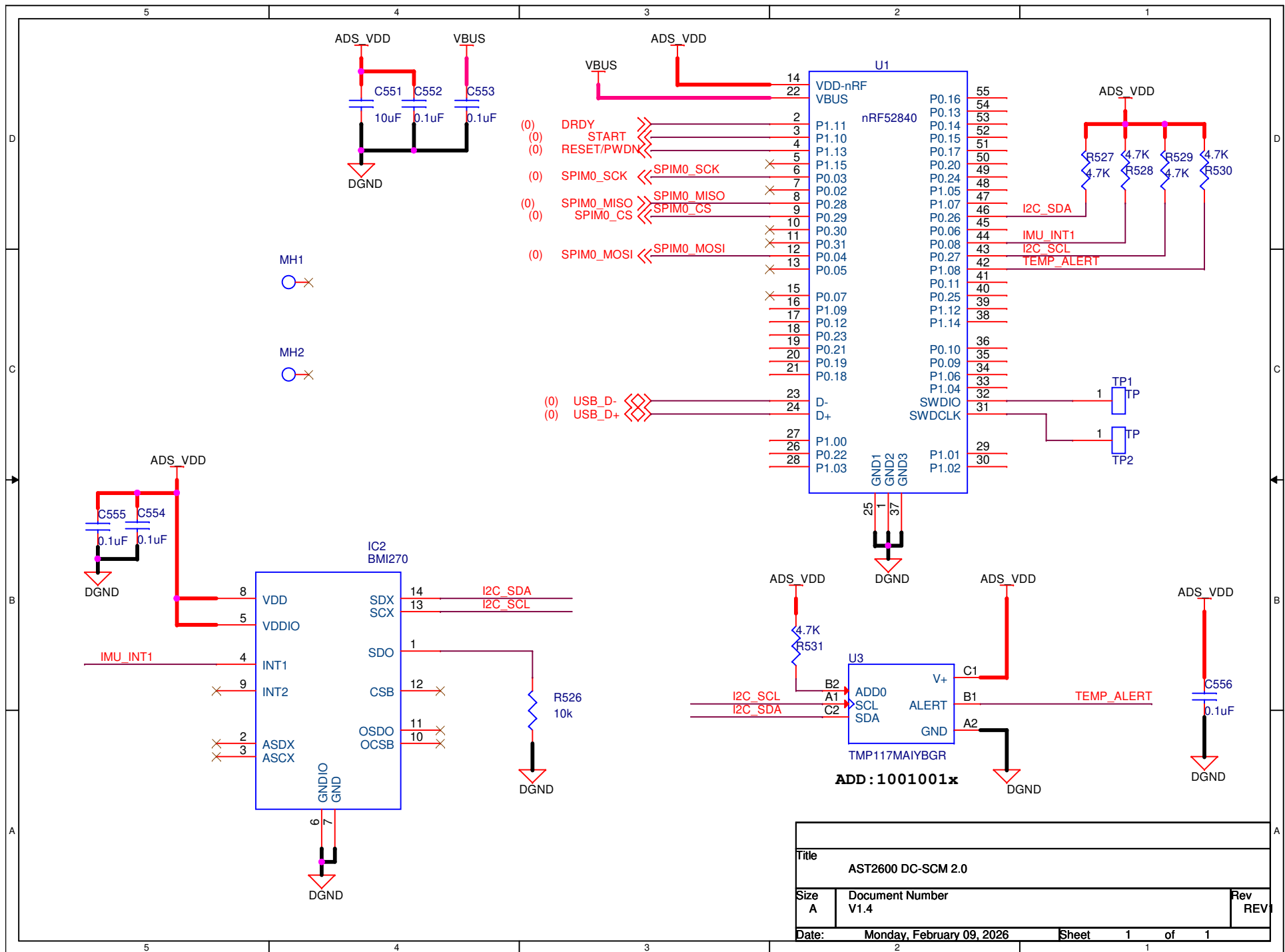
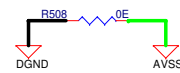
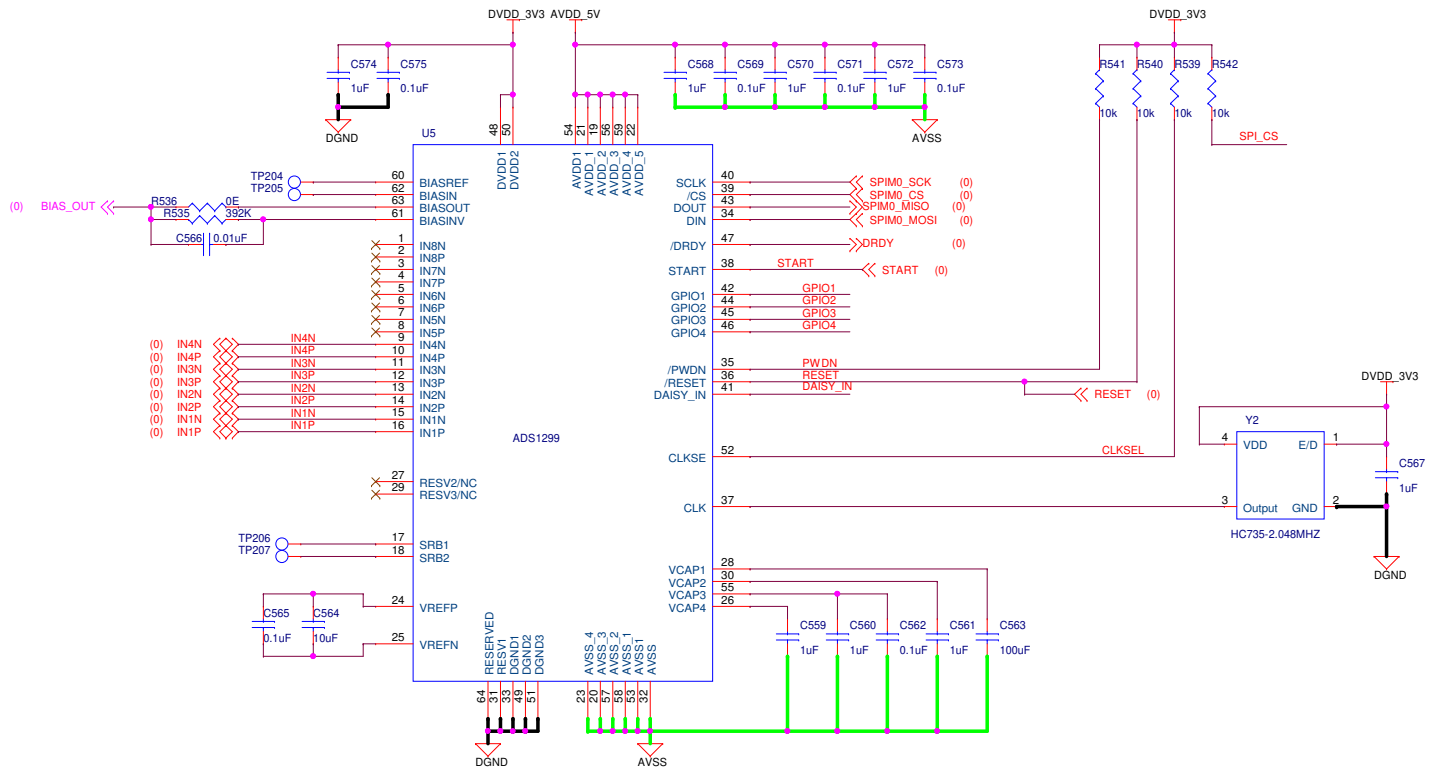


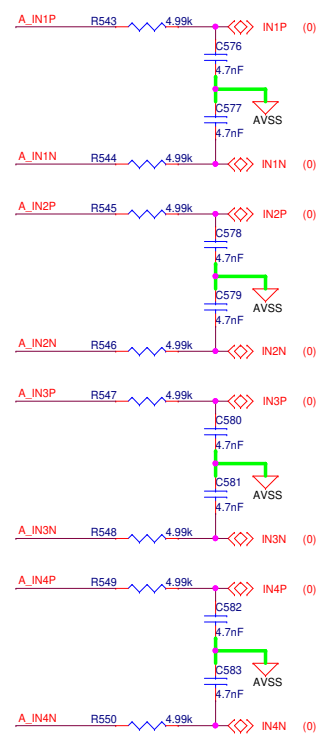
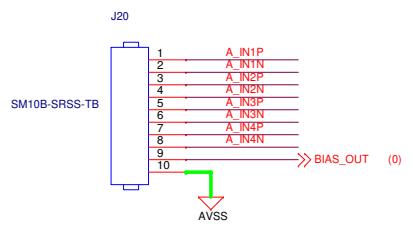
Title		
AST2600 DC-SCM 2.0		
Size	Document Number	Rev
A	V1.4	REV
Date:	Thursday, February 05, 2026	Sheet 1 of 1



Title		
AST2600 DC-SCM 2.0		
Size	Document Number	Rev
A	V1.4	REV
Date:	Monday, February 09, 2026	Sheet 1 of 1



Title		AST2600 DC-SCM 2.0	
Size	Document Number	Rev	
B	V1.4	REV1	
Date:	Monday, February 09, 2026	Sheet	1 of 1



Title		
<Title>		
Size	Document Number	Rev
B	<Doc>	<Rev Code>
Date:	Monday, February 09, 2026	Sheet 1 of 1

