

High Speed ADC DAC Mezzanine Card

Index

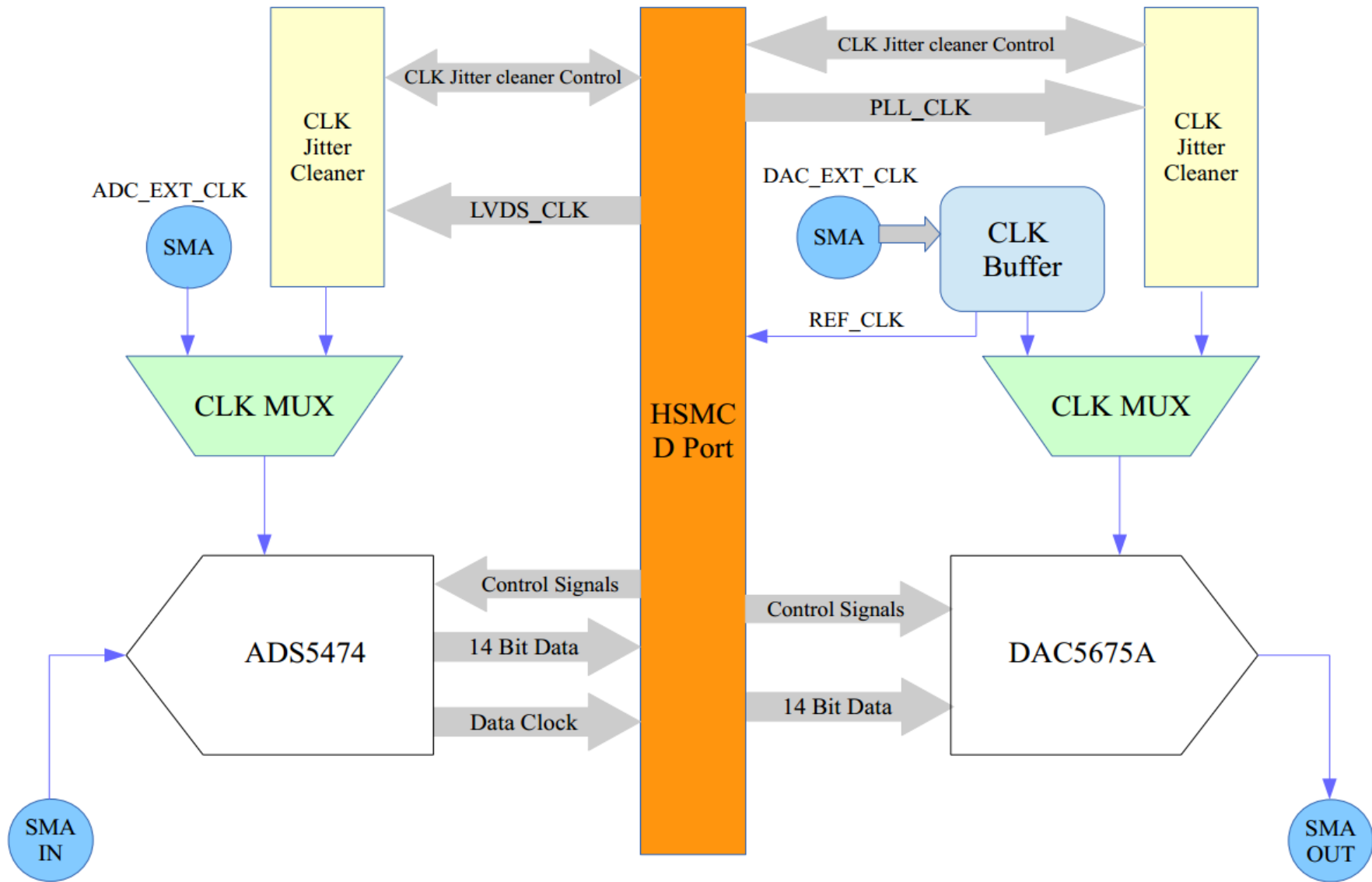
- Sheet #01 - Cover Page
- Sheet #02 - Block Diagram
- Sheet #03 - HSMC Interface
- Sheet #04 - ADC
- Sheet #05 - DAC
- Sheet #06 - ADC Clock
- Sheet #07 - DAC Clock
- Sheet #08 - Power Supply
- Sheet #09 - Power Supply
- Sheet #10 - Misc



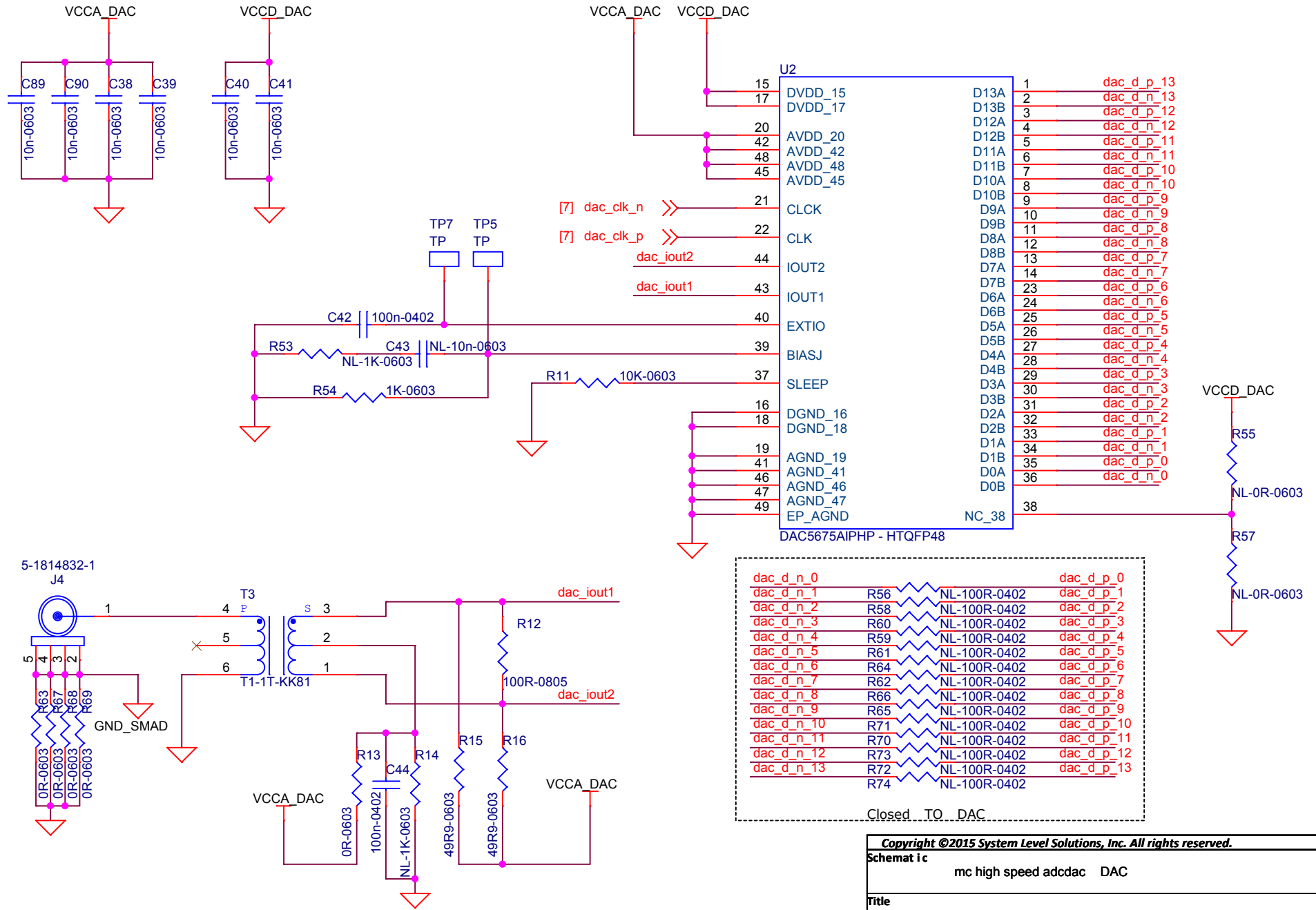
System Level Solutions, Inc.
 14100 Murphy Avenue
 San Martin, CA 95046 USA
 Tel: +1-408-852-0067
 URL: <http://www.slscorp.com>

Copyright ©2015 System Level Solutions, Inc. All rights reserved.

Schematic		
mc high speed adcdac	Cover Page	
Title		
High Speed ADC DAC Mezzanine Card		
Size A	Document Number	Rev
	SCH-HSMCDC4M-1504-B1A-02	1A
Date: Thursday, May 14, 2015		Sheet 1 of 10



Copyright ©2015 System Level Solutions, Inc. All rights reserved.			
Schematic			
mc high speed adcdac Block Diagram			
Title			
High Speed ADC DAC Mezzanine Card			
Size	Document Number		Rev
Custom	SCH-HSMCDC4M-1504-B1A-02		1A
Date: Thursday, May 14, 2015		Sheet	2 of 10



[3] dac_d_p_[13:0] >> dac_d_p_[13:0]
 [3] dac_d_n_[13:0] >> dac_d_n_[13:0]

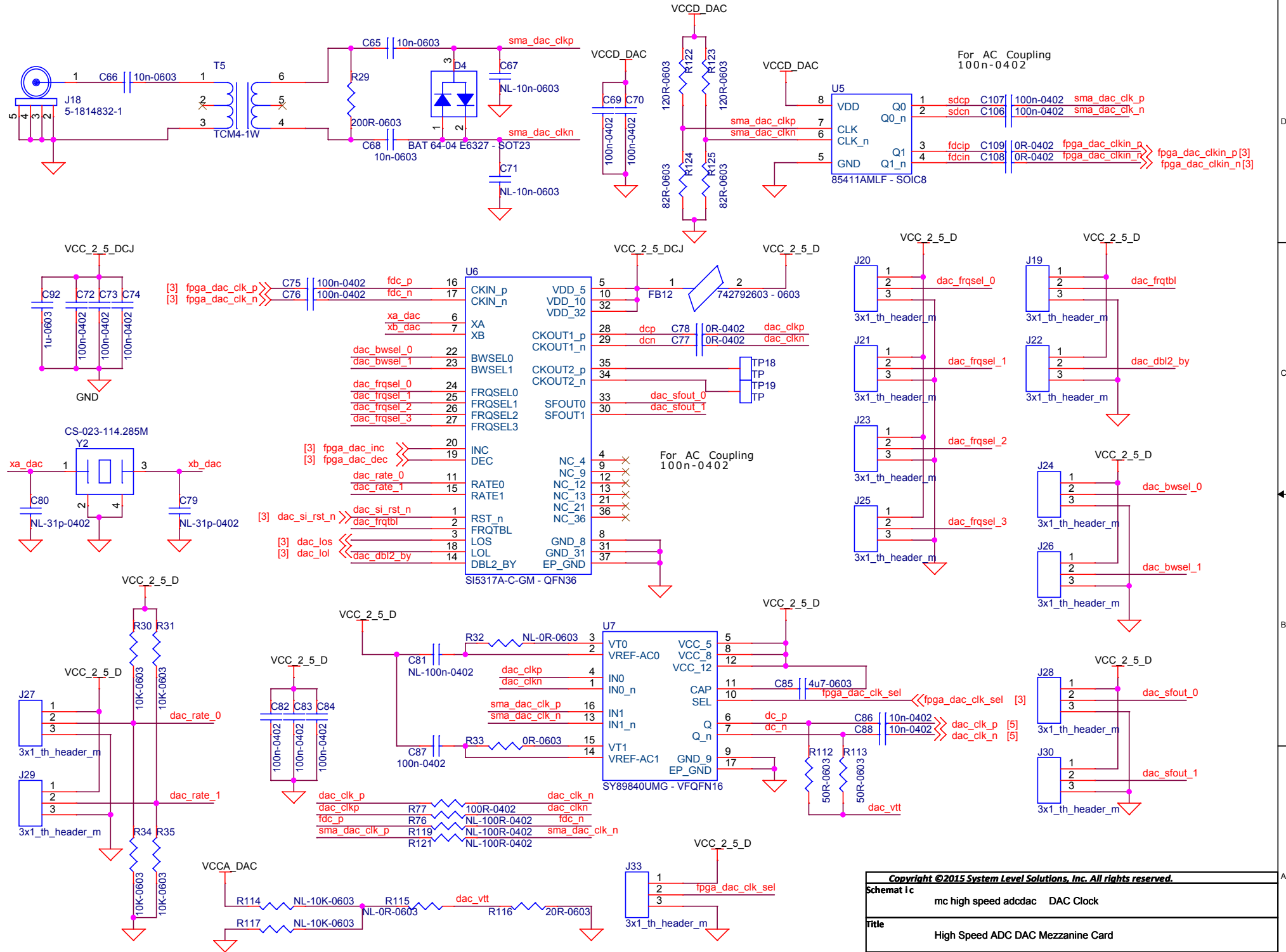
Copyright ©2015 System Level Solutions, Inc. All rights reserved.

Schematic: mc high speed adcdac DAC

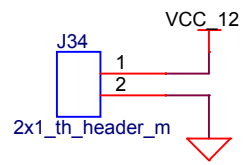
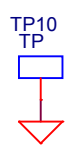
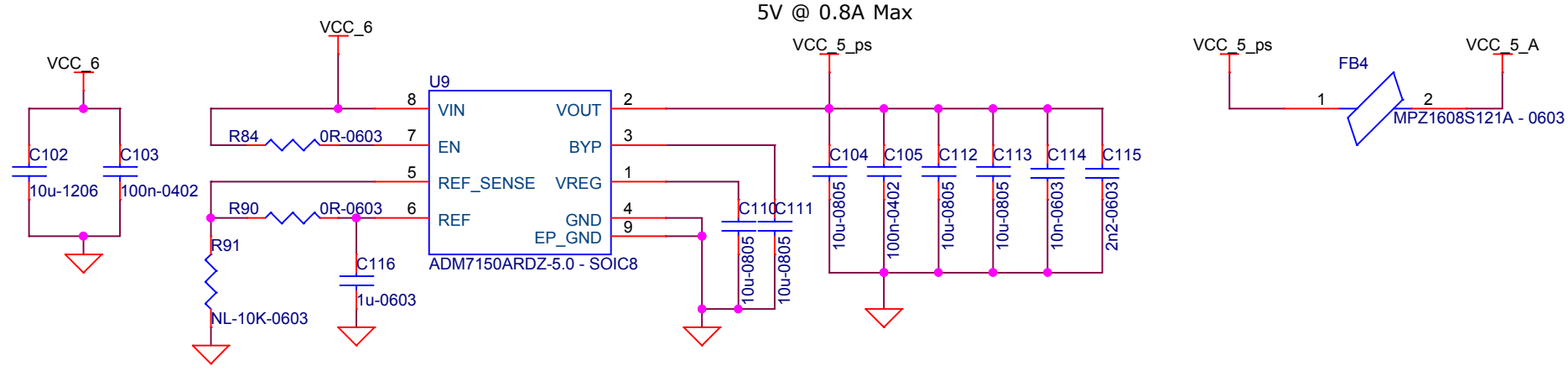
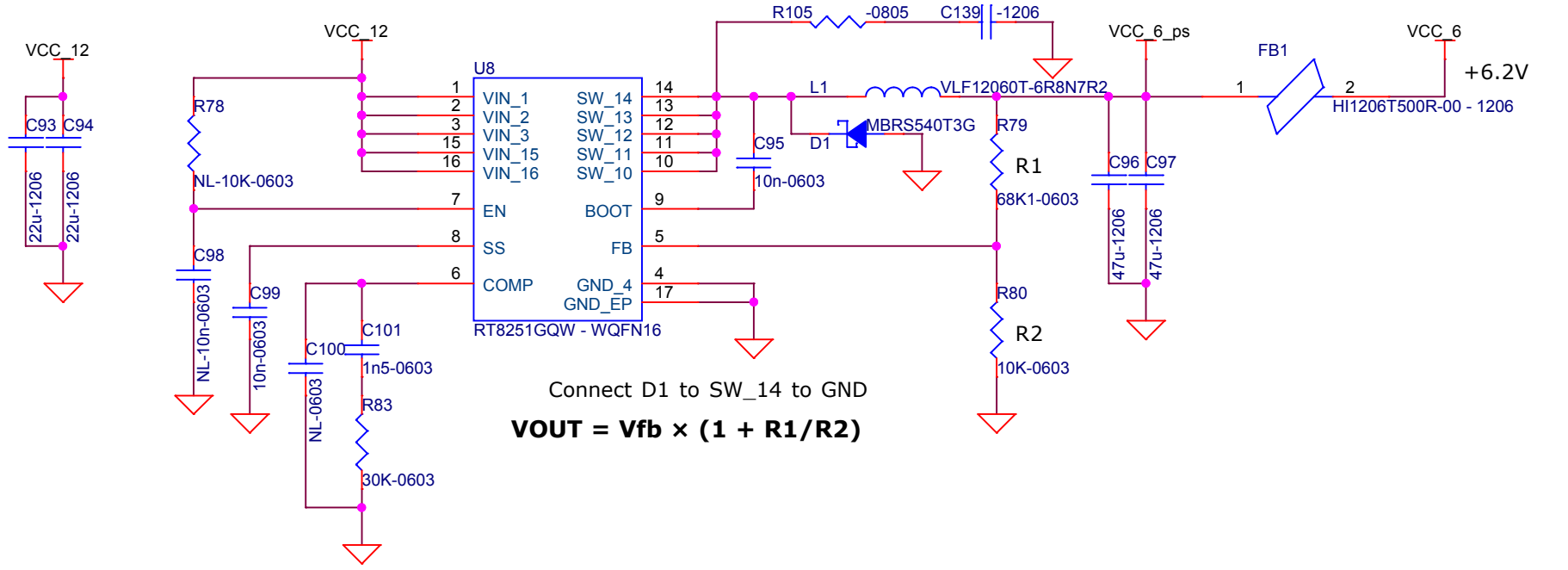
Title: High Speed ADC DAC Mezzanine Card

Size: Custom	Document Number: SCH-HSMCDC4M-1504-B1A-02	Rev: 1A
--------------	---	---------

Date: Thursday, May 14, 2015 Sheet: 5 of 10

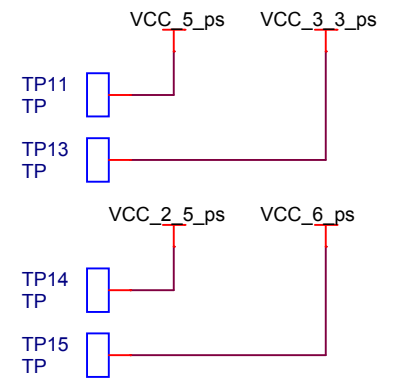
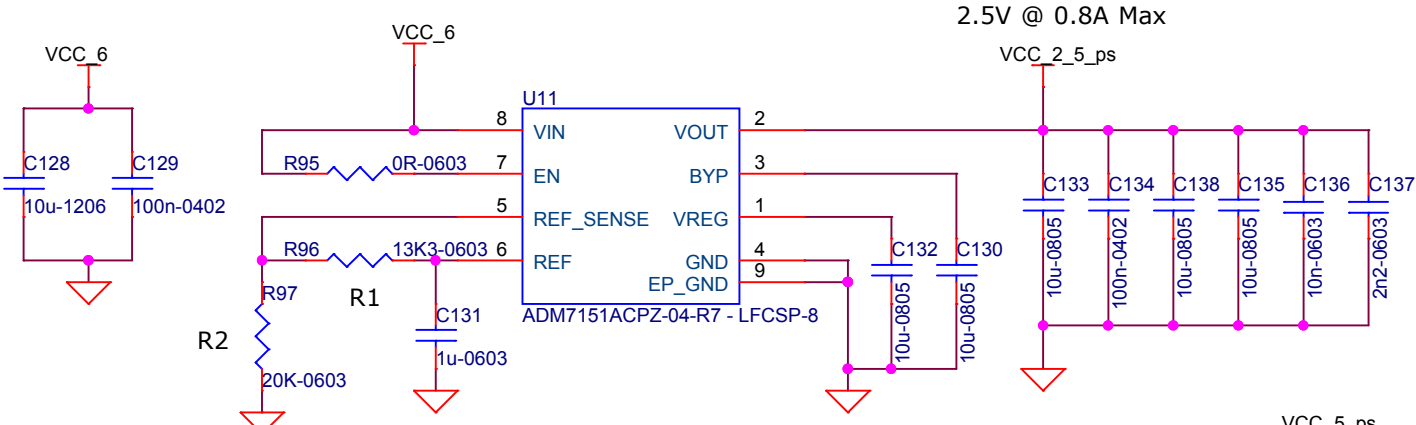
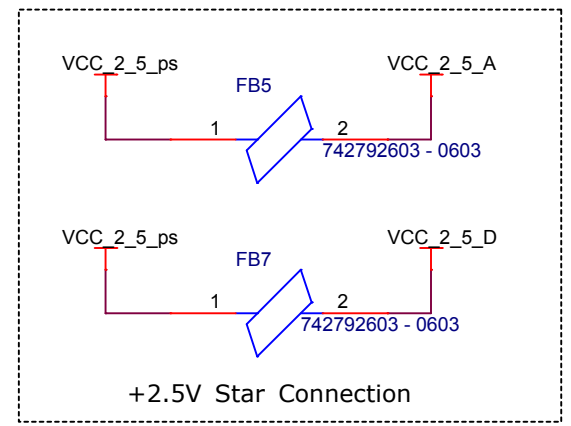
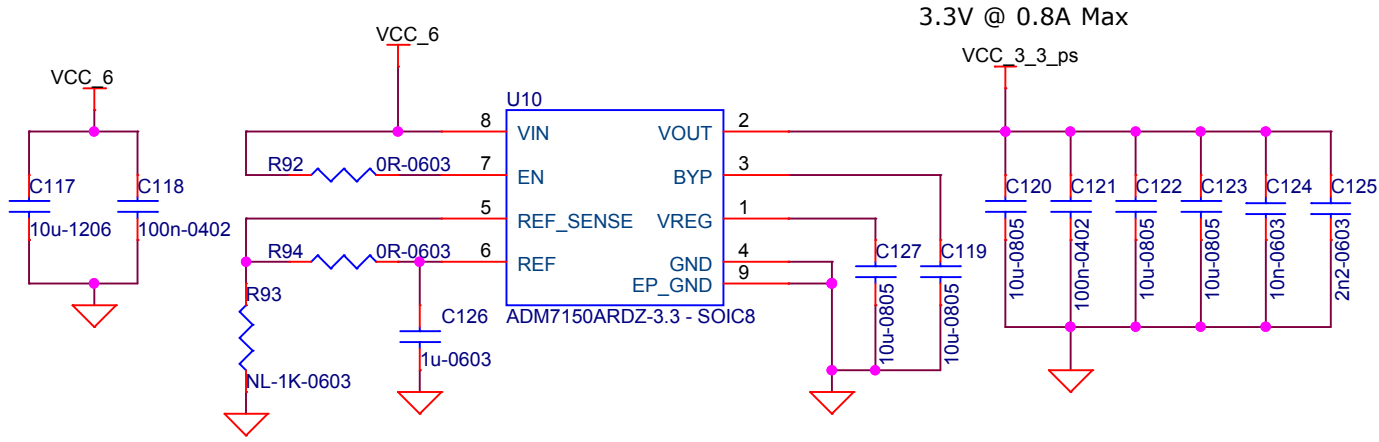


Copyright ©2015 System Level Solutions, Inc. All rights reserved.			
Schematic			
mc high speed adddac DAC Clock			
Title			
High Speed ADC DAC Mezzanine Card			
Size	Document Number	Rev	
Custom	SCH-HSMCDC4M-1504-B1A-02	1A	
Date:	Thursday, May 14, 2015	Sheet	7 of 10

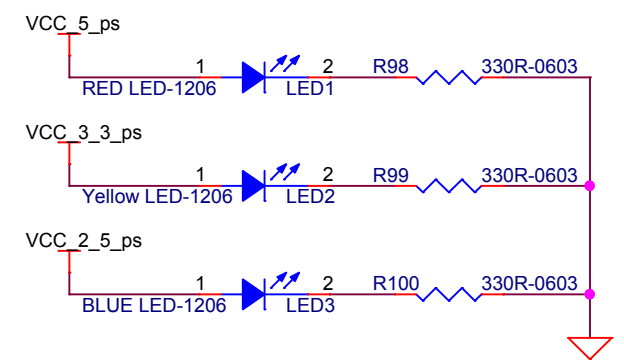
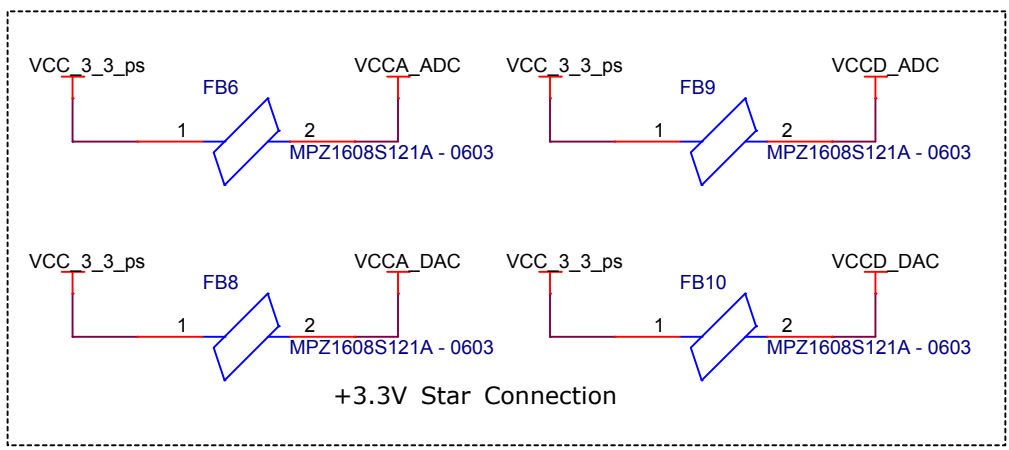


For FAN

Copyright ©2015 System Level Solutions, Inc. All rights reserved.		
Schematic		
mc high speed adcdac Power Supply		
Title		
High Speed ADC DAC Mezzanine Card		
Size A	Document Number	Rev 1A
	SCH-HSMCDC4M-1504-B1A-02	
Date:	Thursday, May 14, 2015	Sheet 8 of 10



$V_{OUT} = 1.5V \times (1 + R1/R2)$



Copyright ©2015 System Level Solutions, Inc. All rights reserved.

Schematic		
mc high speed adcdac Power Supply		
Title		
High Speed ADC DAC Mezzanine Card		
Size A	Document Number	Rev
	SCH-HSMCDC4M-1504-B1A-02	1A
Date:	Thursday, May 14, 2015	Sheet 9 of 10