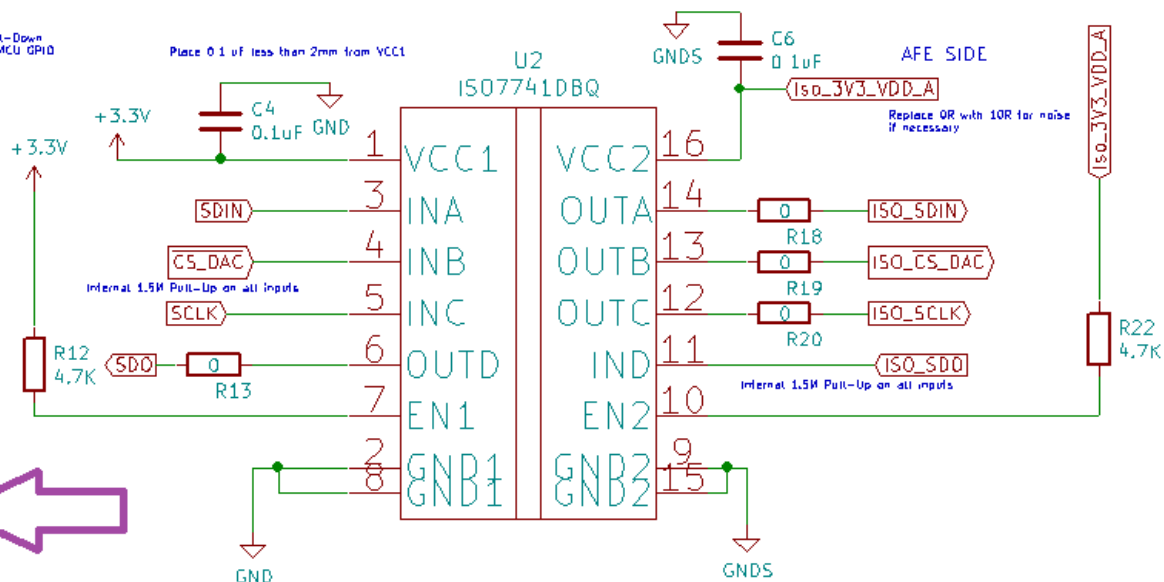
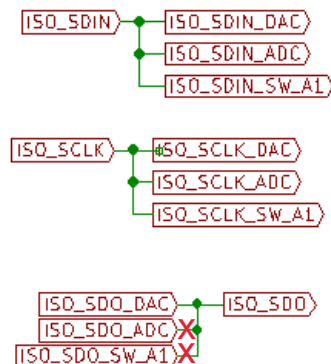


Internal Pull-Up/Pull-Down are configurable on MCU GPIO



MCU SPI and GPIO
3.3V LDO + GND

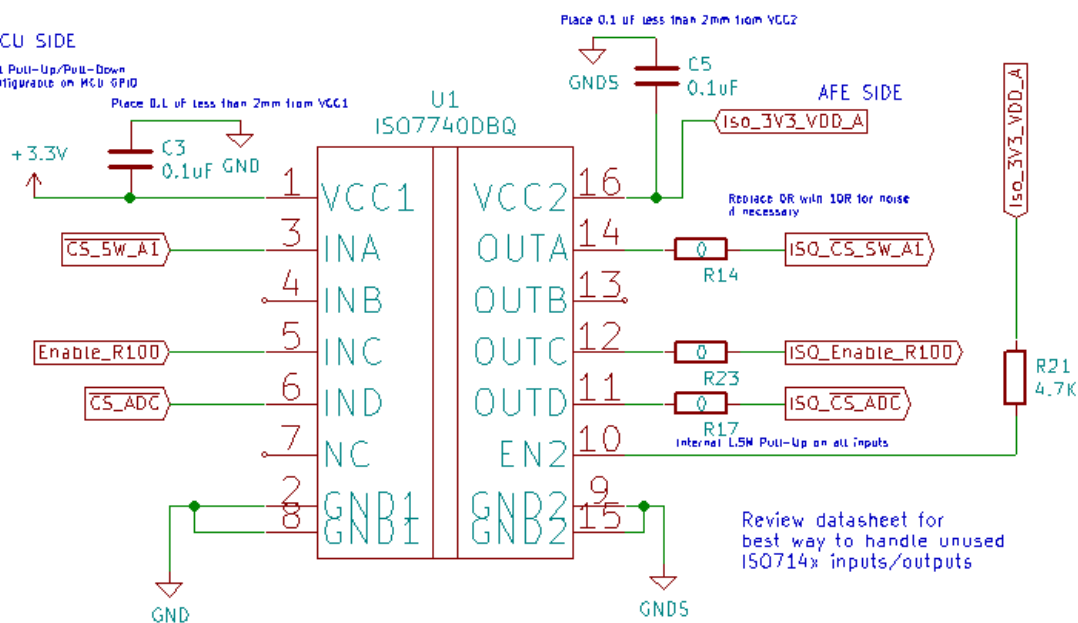
See ISO7741 datasheet
Figure 22. Isolated SPI for an Analog Input Module with 16 input



DAC/ADC/Analog Switches SPI
Isolated 3.3V digital LDO + GND
Isolated analog LDOs and GNDA

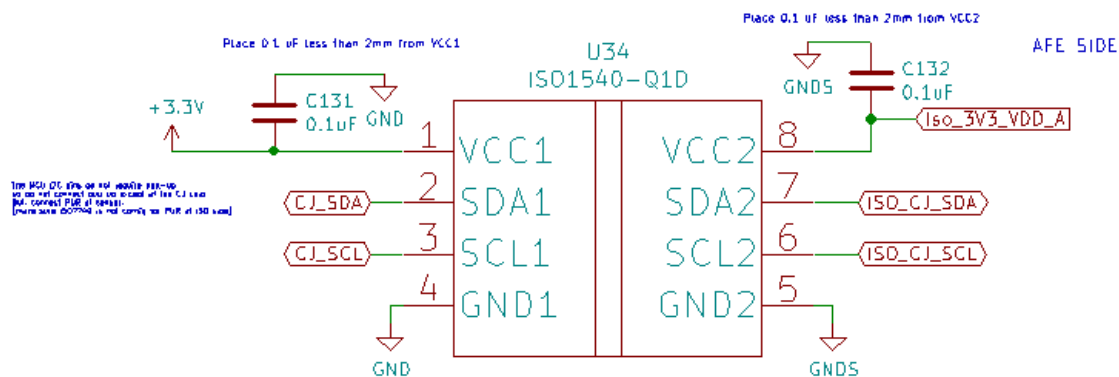
MCU SIDE

Internal Pull-Up/Pull-Down are configurable on MCU GPIO



See ISO7740 datasheet
Figure 22. Isolated SPI for an Analog Input Module with 16 input

Review datasheet for best way to handle unused ISO714x inputs/outputs



Layout Important Note:
A minimum of four layers is required to accomplish a low EMI PCB design (see Figure 34).