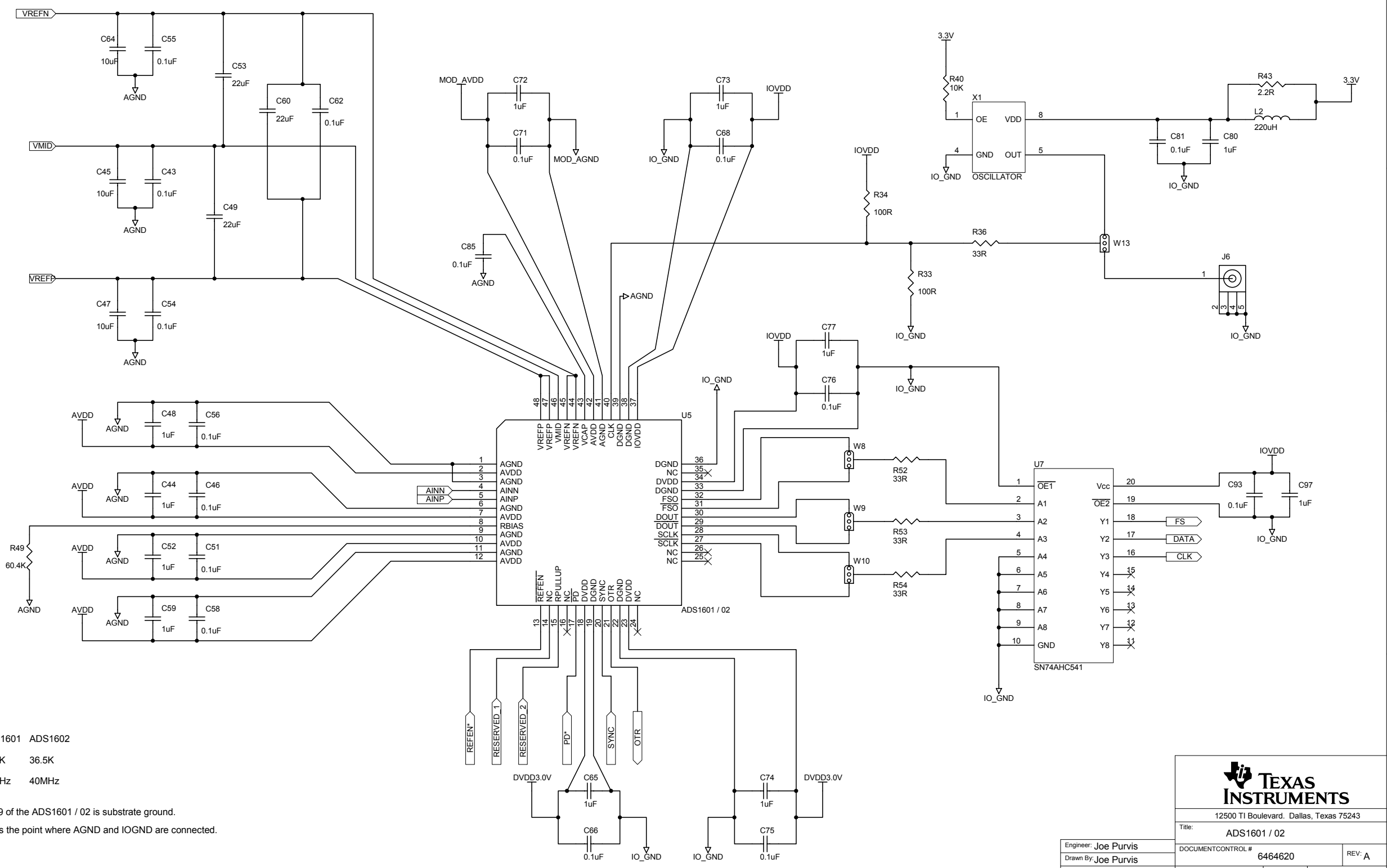


| Revision History |            |          |
|------------------|------------|----------|
| REV              | ECN Number | Approved |
|                  |            |          |
|                  |            |          |



ADS1601 ADS1602  
R49 60.4K 36.5K  
X1 20MHz 40MHz

Pin 39 of the ADS1601 / 02 is substrate ground.  
This is the point where AGND and IOGND are connected.



|                      |                            |                      |
|----------------------|----------------------------|----------------------|
| Engineer: Joe Purvis | DOCUMENT CONTROL # 6464620 | REV: A               |
| Drawn By: Joe Purvis | DATE: 26-Oct-2004          | SIZE: SHEET: 3 OF: 5 |
| FILE: ADS1601_02.Sch |                            |                      |