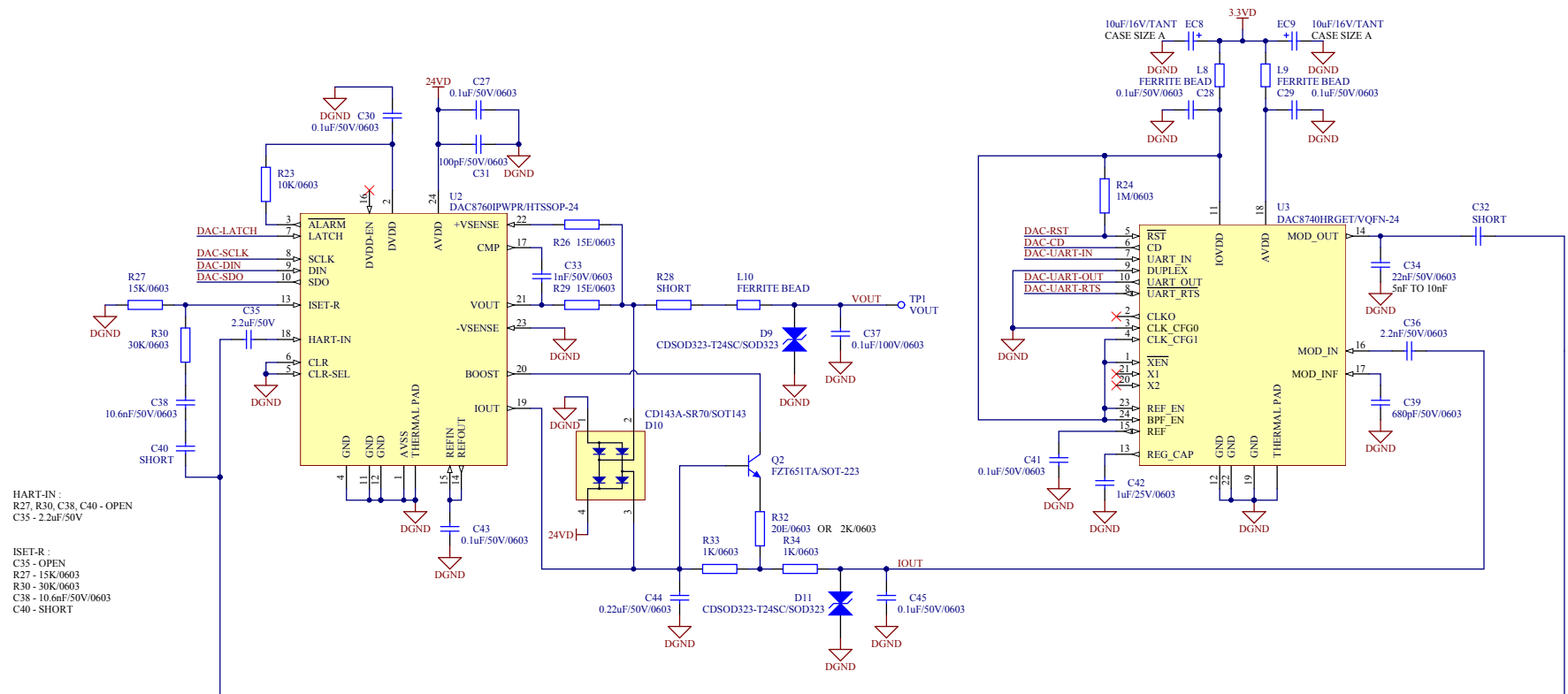
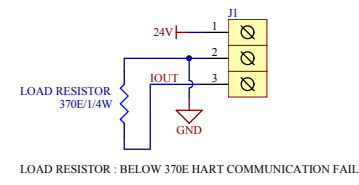


# HART TRANSMITTER SECTION



HART-IN :  
 R27, R30, C38, C40 - OPEN  
 C35 - 2.2uF/50V

ISET-R :  
 C35 - OPEN  
 R27 - 15K/0603  
 R30 - 30K/0603  
 C38 - 10.6nF/50V/0603  
 C40 - SHORT



LOAD RESISTOR : BELOW 370E HART COMMUNICATION FAIL