

NOTES, UNLESS OTHERWISE SPECIFIED:

1. RESISTANCE VALUES IN OHMS.
2. CAPACITANCE VALUES IN MICROFARADS.
3. REFERENCE DESIGNATORS USED:
4. ALL 0.1 uF AND 0.01uF CAPACITORS ARE DECOUPLING CAPS UNLESS OTHERWISE NOTED. THEY ARE SHOWN ON THE PAGE WITH THE INTEGRATED CIRCUITS THEY SHOULD BE PLACED NEAR.

REV	DESCRIPTION	DATE	APPROVED
A	Initial schematic for layout	10/15/2009	RRP

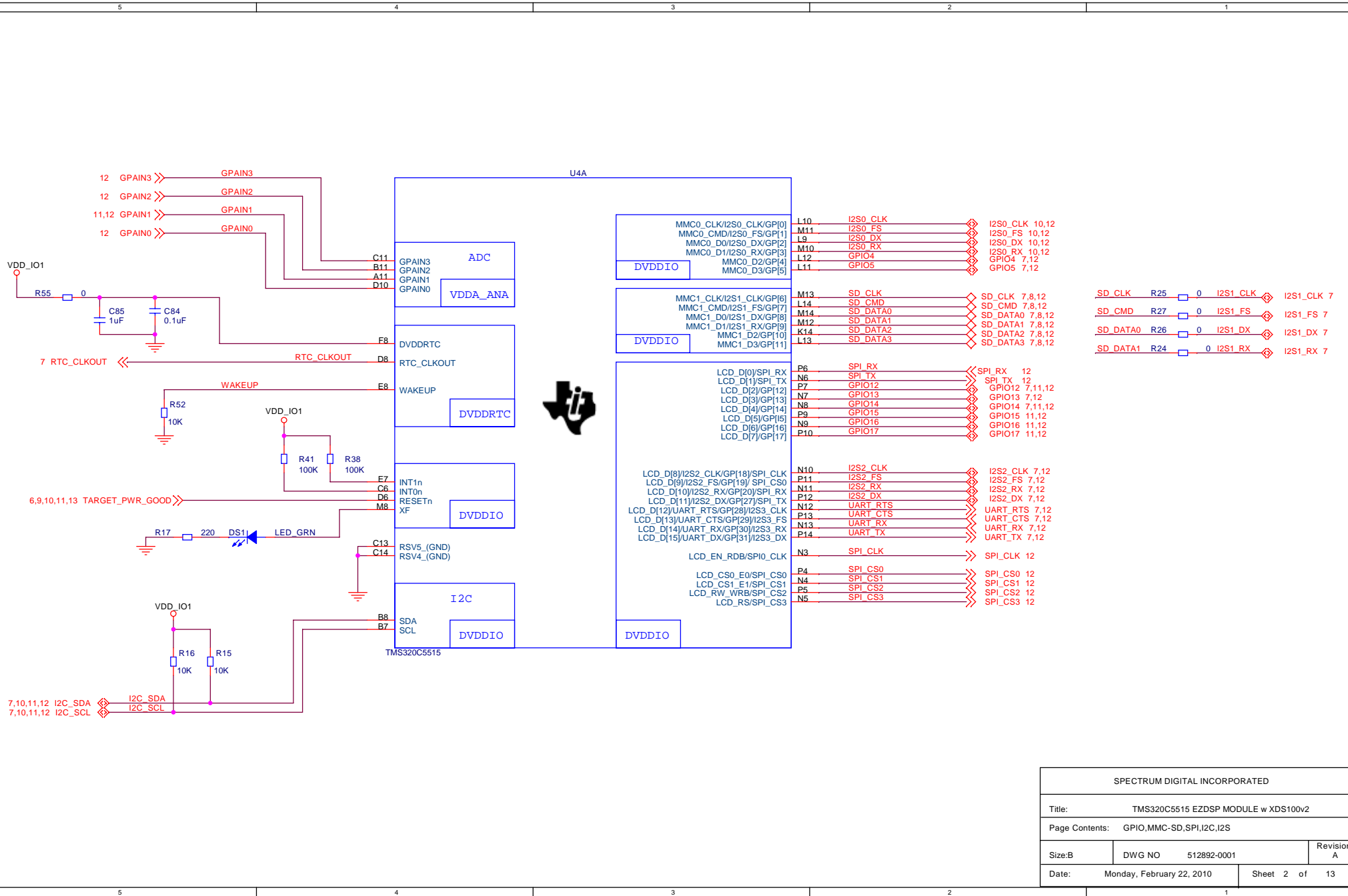
SCHEMATIC CONTENTS

- 01 - TITLE PAGE
- 02 - TMS320C5515 GPIO/MMC/SPI/I2C
- 03 - TMS320C5515 CLK/JTAG/USB2
- 04 - TMS320C5515 EMIF
- 05 - TMS320C5515 POWER
- 06 - NOR FLASH
- 07 - CC BOARD INTERFACE
- 08 - MICRO SD INTERFACE
- 09 - POWER SUPPLIES
- 10 - AUDIO CODEC
- 11 - LCD/USER LEDS/SWITCHES
- 12 - EXPANSION CONNECTOR
- 13 - XDS100-v2 INTERFACE

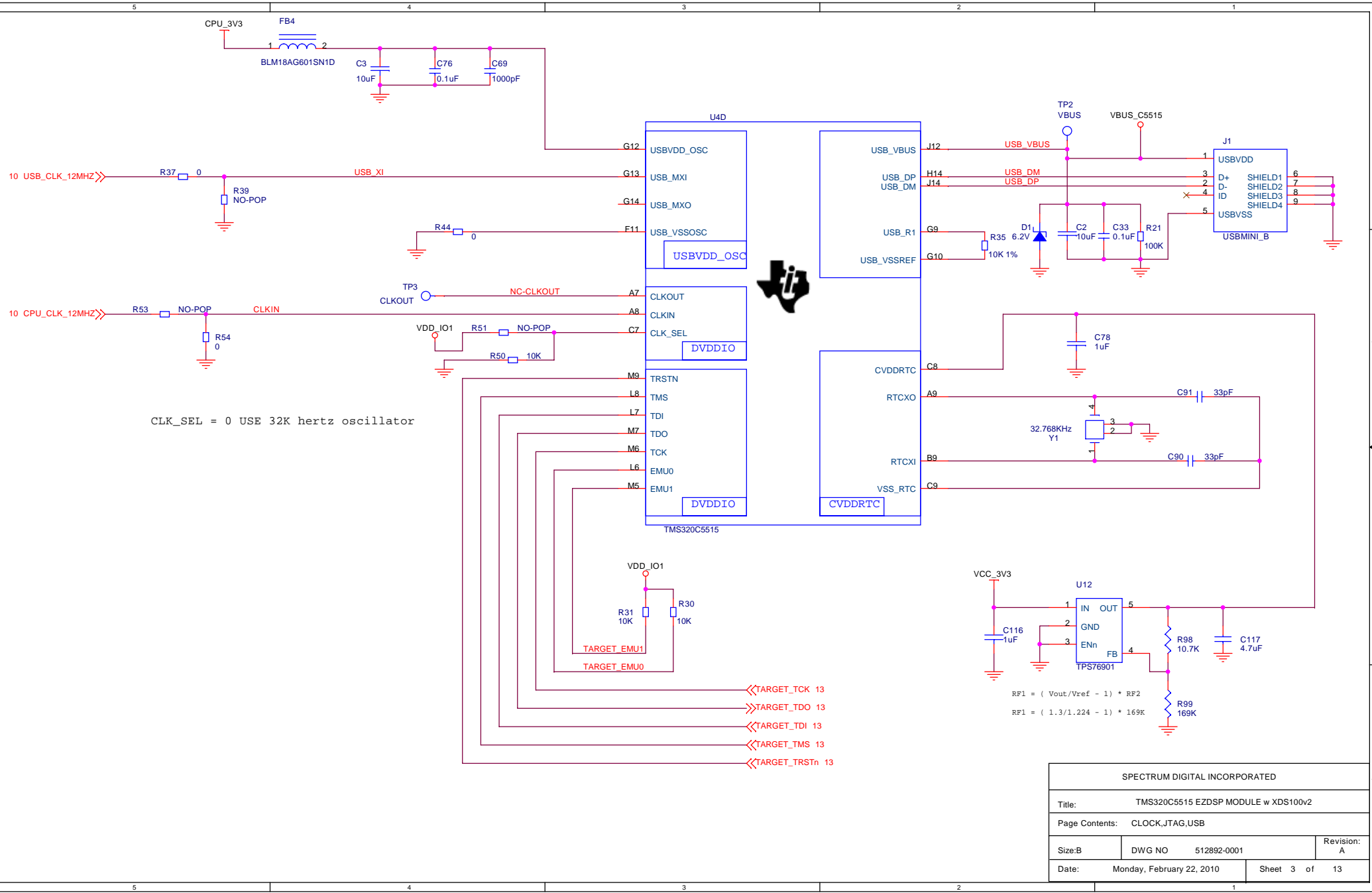
REVISION STATUS OF SHEETS

REV	SHEET	1	2	3	4	5	6	7	8	9	10	APPLICATION	USED ON	DATE
														DWN R.R.P. 10/15/2009
														CHK T.W.K. 10/15/2009
														ENGR R.R.P. 10/15/2009
														ENGR-MGR R.R.P. 10/15/2009
														QA C.M.D. 10/15/2009
														MFG R.R.P. 10/15/2009
														RLSE R.R.P. 10/15/2009

SPECTRUM DIGITAL INCORPORATED			
Title: TMS320C5515 EZDSP MODULE w XDS100v2			
Page Contents: TITLE SHEET			
Size: B	DWG NO	512892-0001	Revision: A
Date: Monday, February 22, 2010		Sheet 1 of 13	

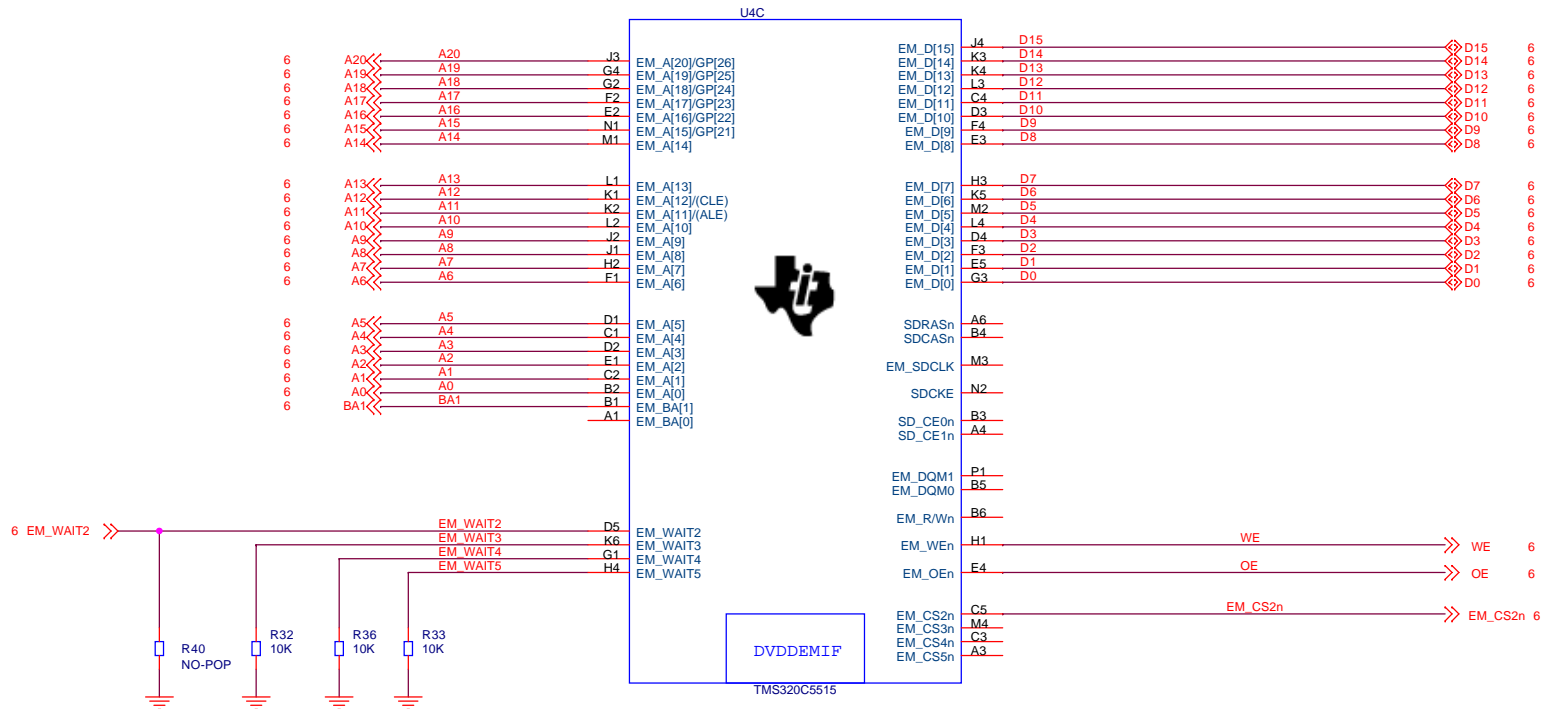


SPECTRUM DIGITAL INCORPORATED			
Title: TMS320C5515 EZDSP MODULE w XDS100v2			
Page Contents: GPIO,MMC-SD,SPI,I2C,I2S			
Size: B	DWG NO	512892-0001	Revision: A
Date:	Monday, February 22, 2010	Sheet 2 of	13

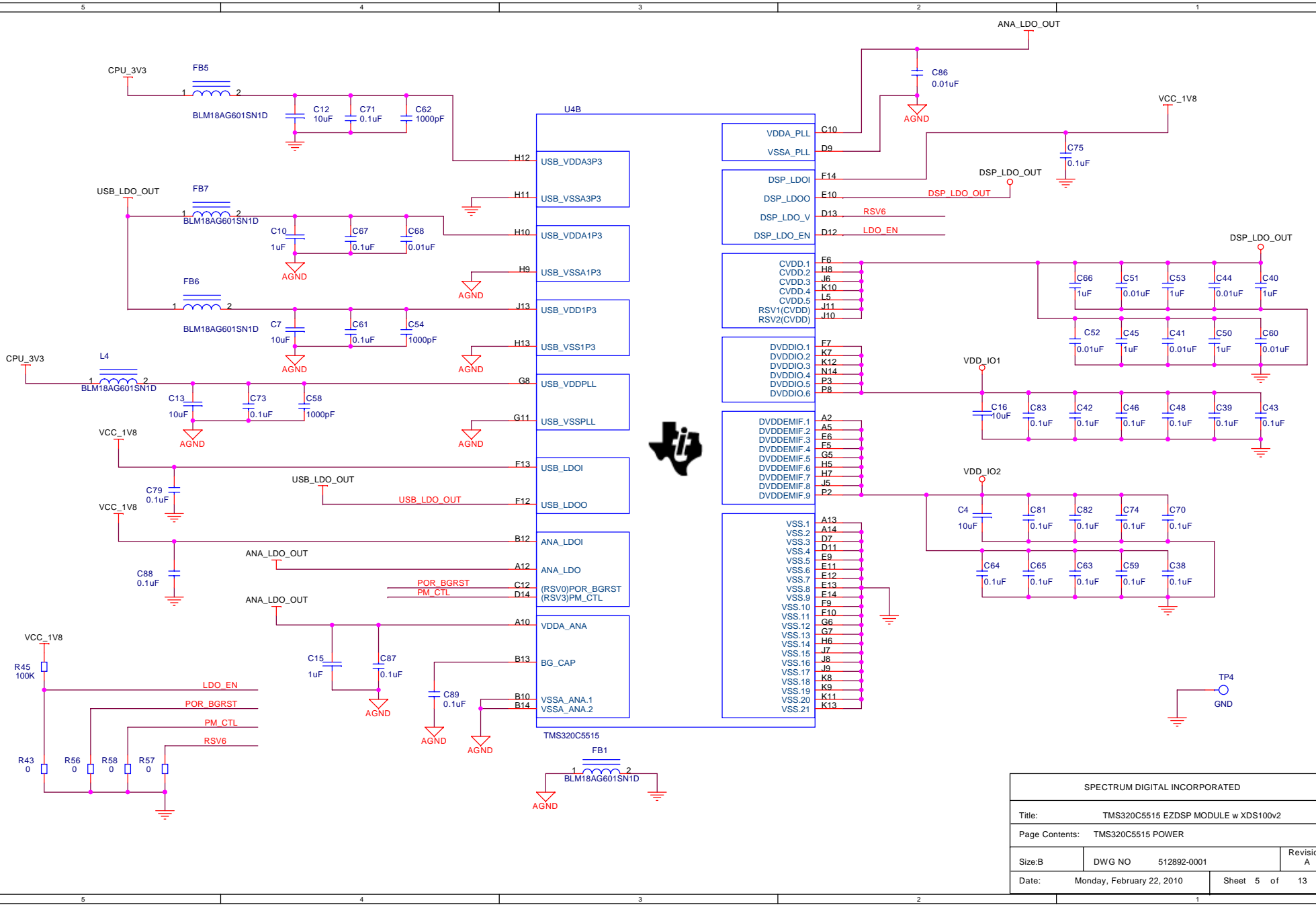


$$R_{F1} = (V_{out}/V_{ref} - 1) * R_{F2}$$

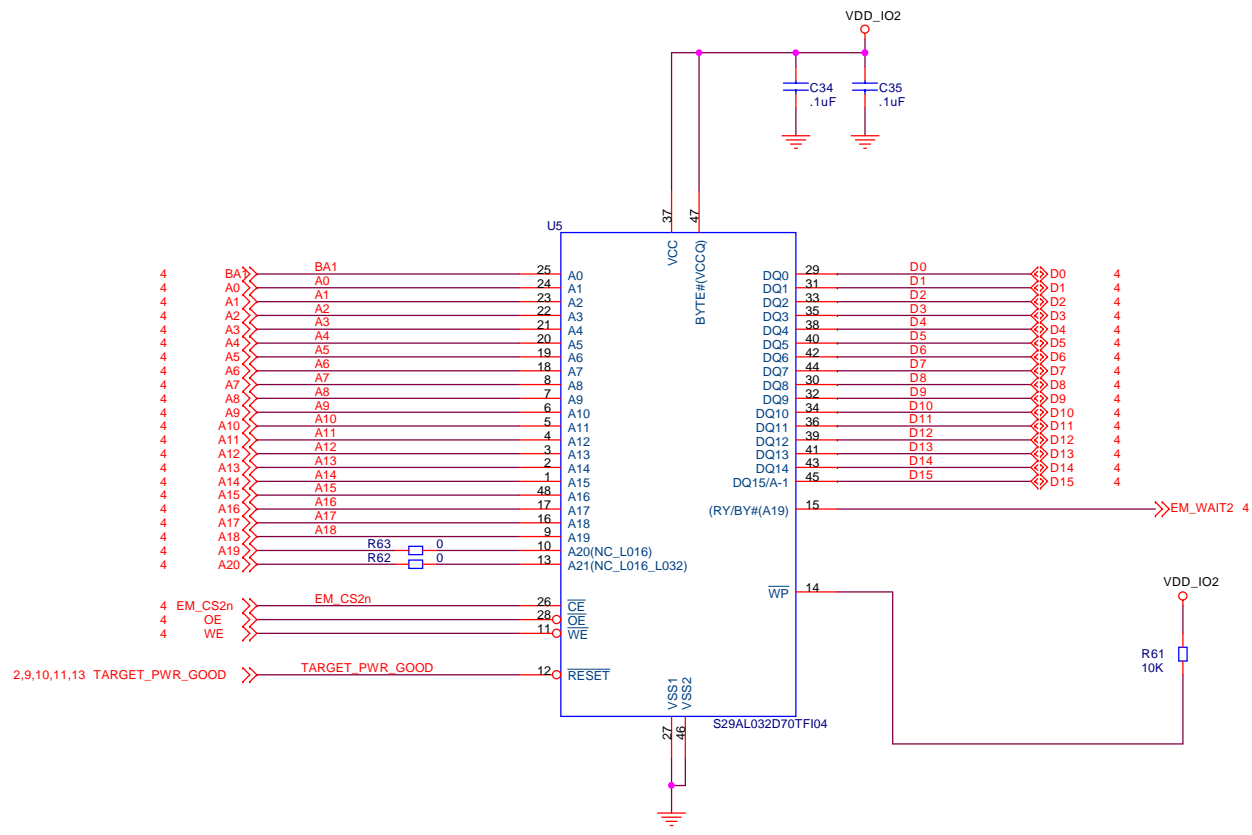
$$R_{F1} = (1.3/1.224 - 1) * 169K$$



SPECTRUM DIGITAL INCORPORATED			
Title: TMS320C5515 EZDSP MODULE w XDS100v2			
Page Contents: TMS320C5515 EMIF			
Size: B	DWG NO	512892-0001	Revision: A
Date:	Monday, February 22, 2010	Sheet 4 of	13

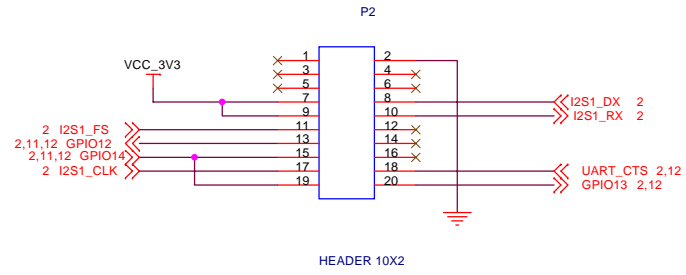
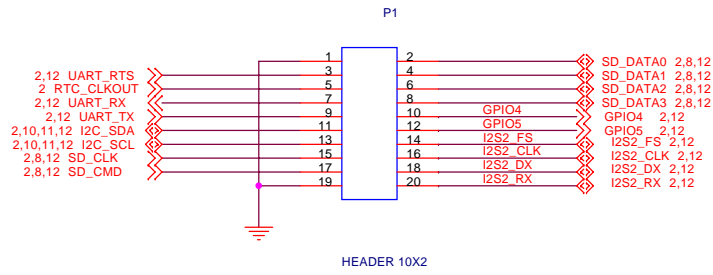


SPECTRUM DIGITAL INCORPORATED			
Title: TMS320C5515 EZDSP MODULE w XDS100v2			
Page Contents: TMS320C5515 POWER			
Size: B	DWG NO	512892-0001	Revision: A
Date:	Monday, February 22, 2010	Sheet 5 of	13

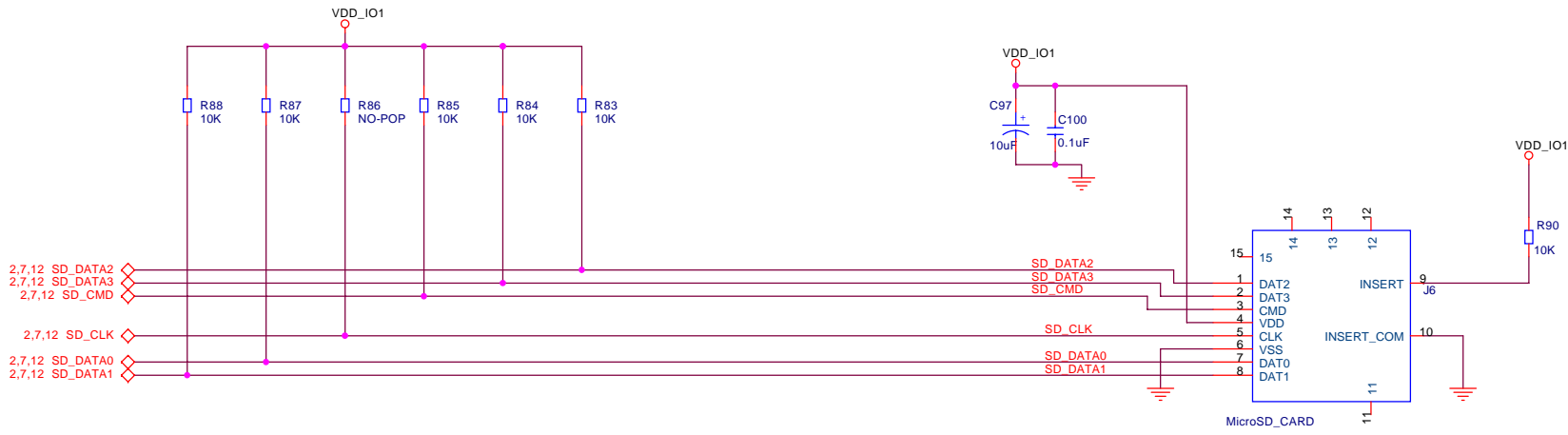


SPECTRUM DIGITAL INCORPORATED			
Title: TMS320C5515 EZDSP MODULE w XDS100v2			
Page Contents: NOR FLASH			
Size: B	DWG NO	512892-0001	Revision: A
Date:	Monday, February 22, 2010	Sheet 6 of	13

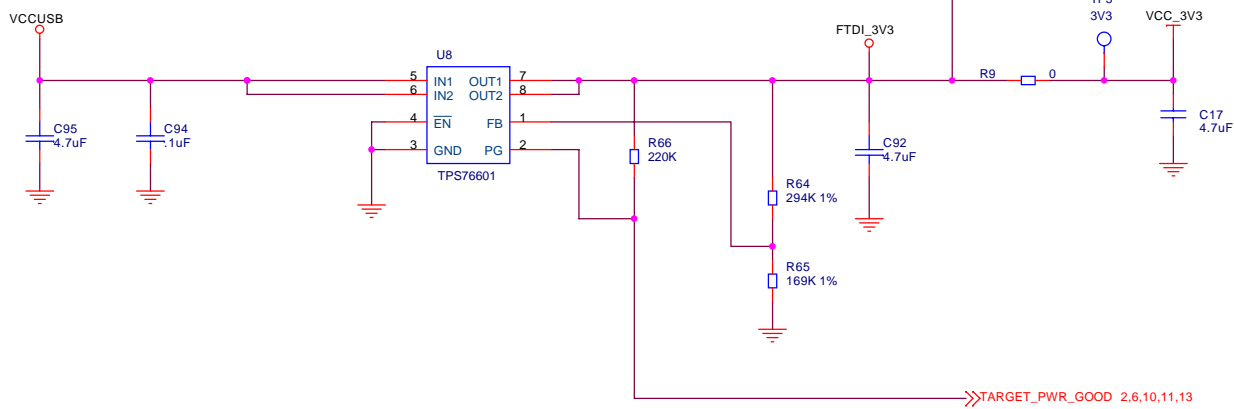
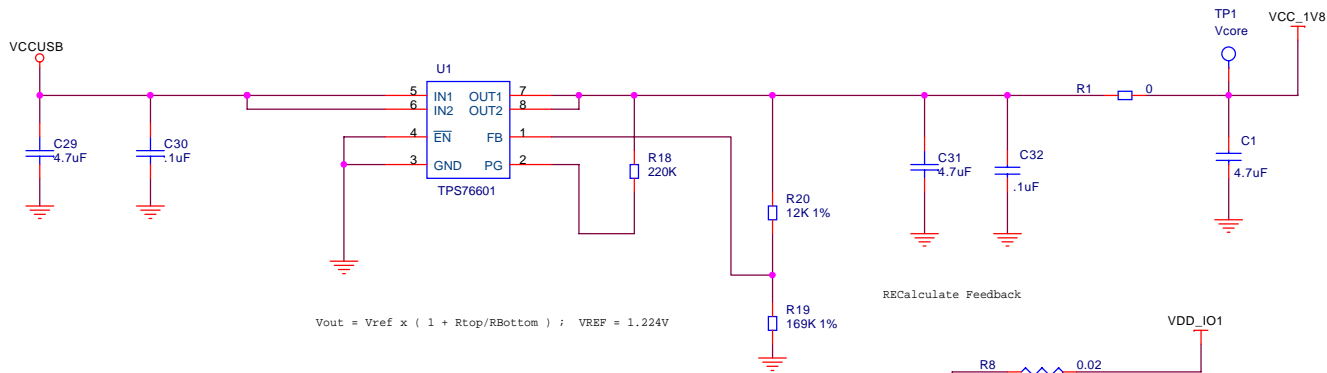
NOTE: DIMENSIONS AND LOCATIONS OF THESE CONNECTORS MUST MEET SPECIFICATION FOR INTERFACE MODULES



SPECTRUM DIGITAL INCORPORATED			
Title: TMS320C5515 EZDSP MODULE w XDS100v2			
Page Contents: CC BOARD INTERFACE			
Size: B	DWG NO	512892-0001	Revision: A
Date:	Monday, February 22, 2010	Sheet 7 of	13

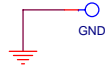
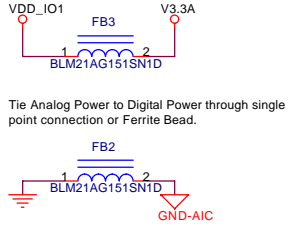
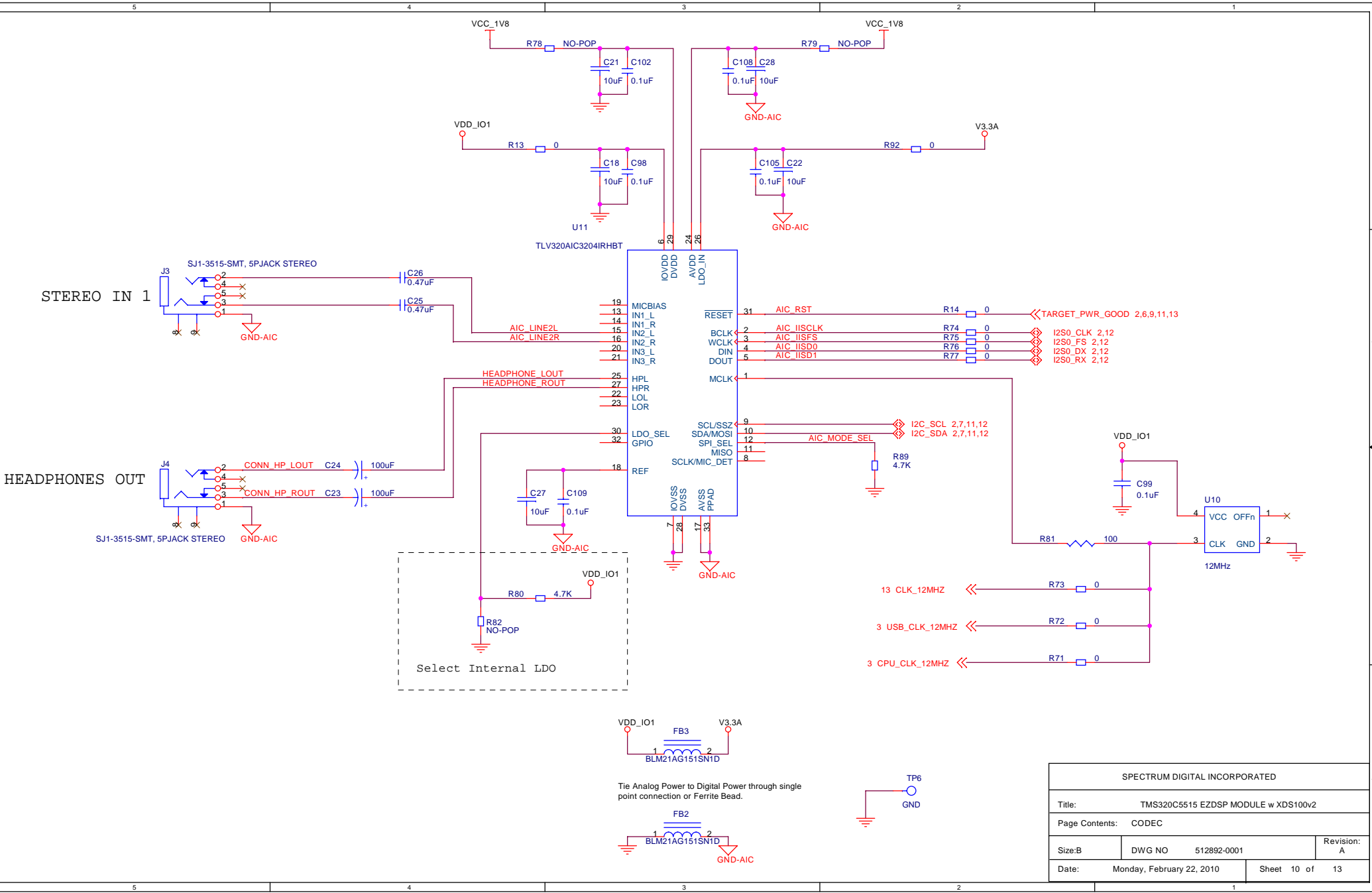


SPECTRUM DIGITAL INCORPORATED			
Title: TMS320C5515 EZDSP MODULE w XDS100v2			
Page Contents: MICRO SD CONNECTOR			
Size: B	DWG NO	512892-0001	Revision: A
Date:	Monday, February 22, 2010	Sheet 8 of	13

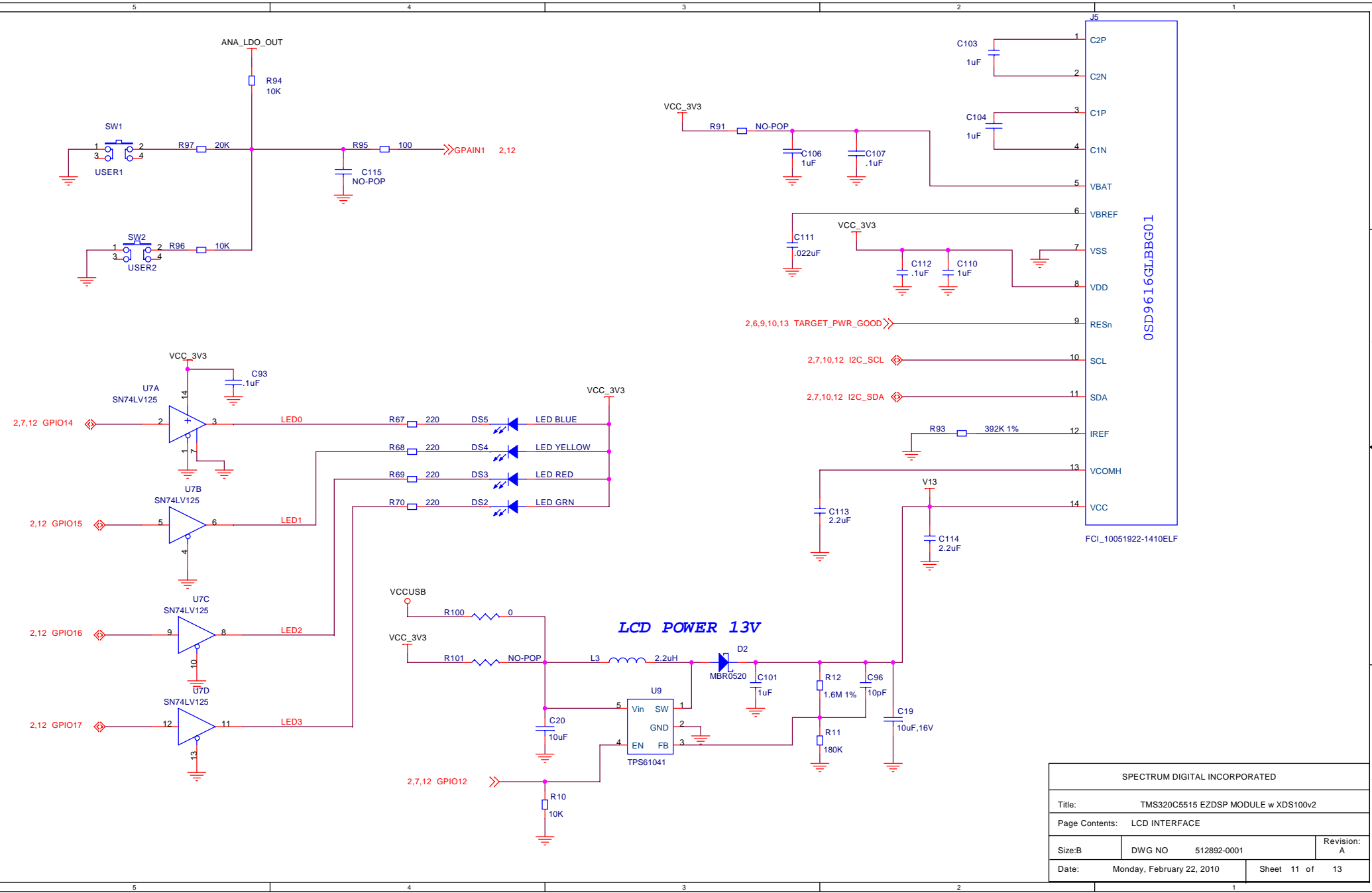


>>>TARGET_PWR_GOOD 2,6,10,11,13

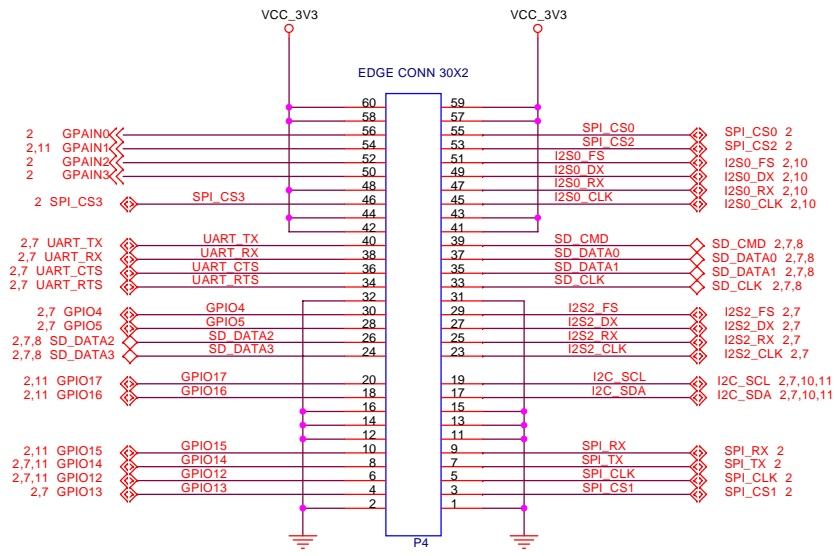
SPECTRUM DIGITAL INCORPORATED			
Title: TMS320C5515 EZDSP MODULE w XDS100v2			
Page Contents: POWER MANAGEMENT			
Size: B	DWG NO	512892-0001	Revision: A
Date:	Monday, February 22, 2010	Sheet 9 of	13



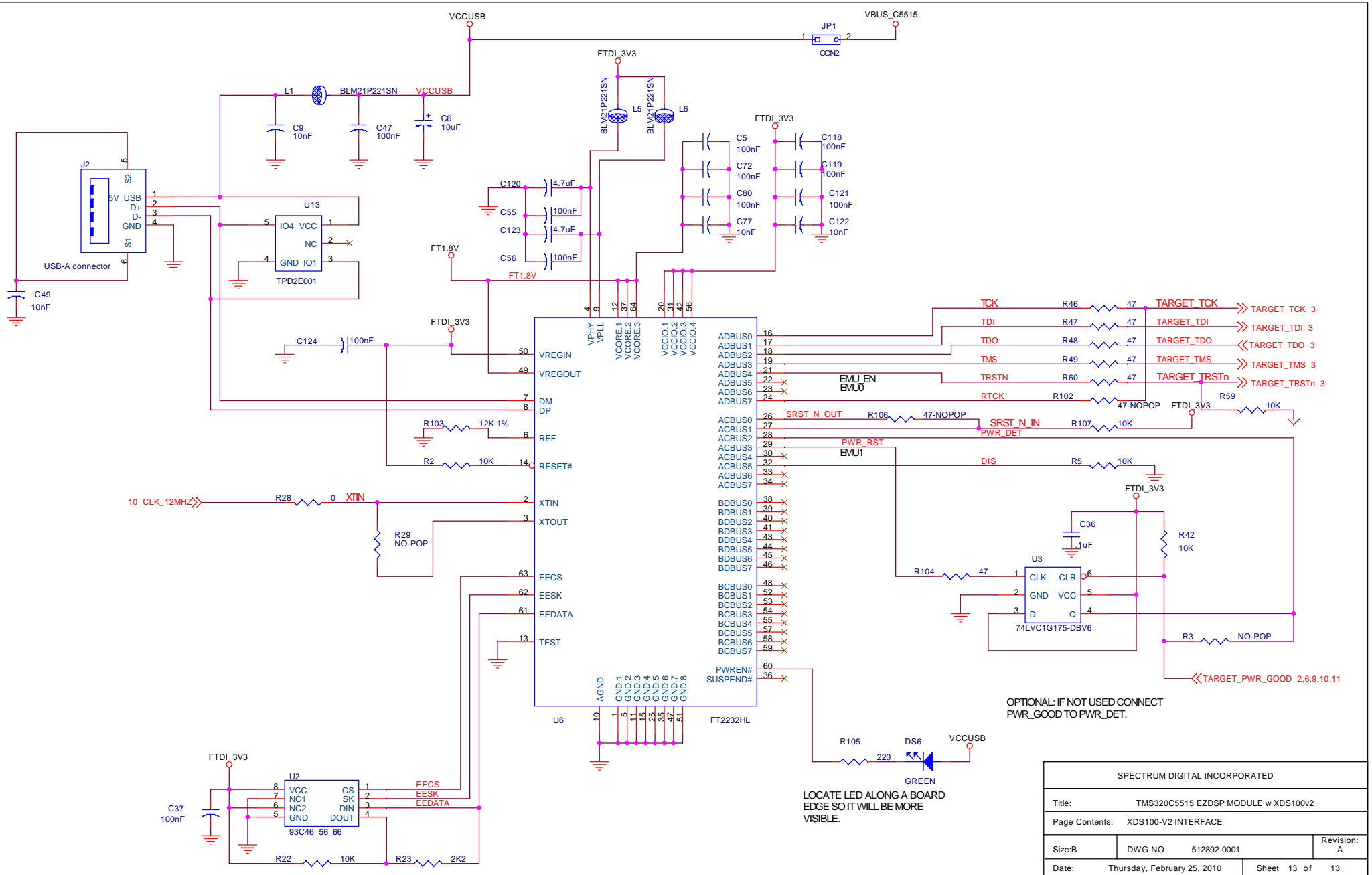
SPECTRUM DIGITAL INCORPORATED			
Title: TMS320C5515 EZDSP MODULE w XDS100v2			
Page Contents: CODEC			
Size: B	DWG NO	512892-0001	Revision: A
Date:	Monday, February 22, 2010	Sheet 10 of 13	



SPECTRUM DIGITAL INCORPORATED			
Title: TMS320C5515 EZDSP MODULE w XDS100v2			
Page Contents: LCD INTERFACE			
Size: B	DWG NO	512892-0001	Revision: A
Date:	Monday, February 22, 2010	Sheet	11 of 13



SPECTRUM DIGITAL INCORPORATED			
Title: TMS320C5515 EZDSP MODULE w XDS100v2			
Page Contents: EXPANSION CONNECTORS			
Size: B	DWG NO	512892-0001	Revision: A
Date:	Monday, February 22, 2010	Sheet 12 of	13



OPTIONAL: IF NOT USED CONNECT PWR_GOOD TO PWR_DET.

LOCATE LED ALONG A BOARD EDGE SO IT WILL BE MORE VISIBLE.

SPECTRUM DIGITAL INCORPORATED		
Title: TMS320C5515 EZDSP MODULE w XDS100v2		
Page Contents: XDS100-V2 INTERFACE		
Size: B	DWG NO 512892-0001	Revision: A
Date: Thursday, February 25, 2010	Sheet 13 of	13