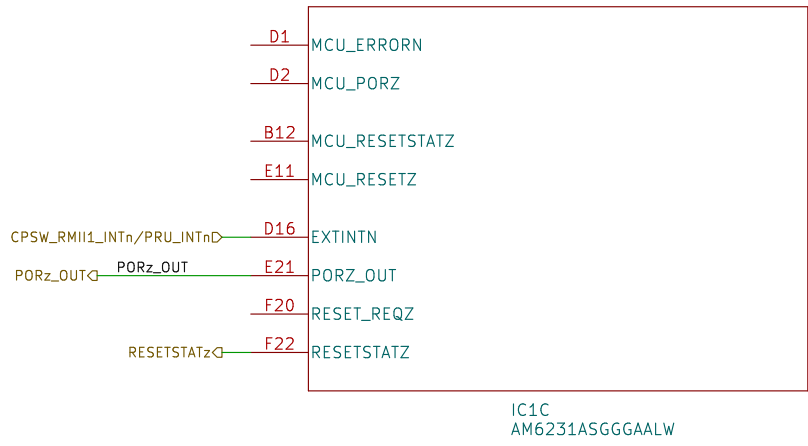
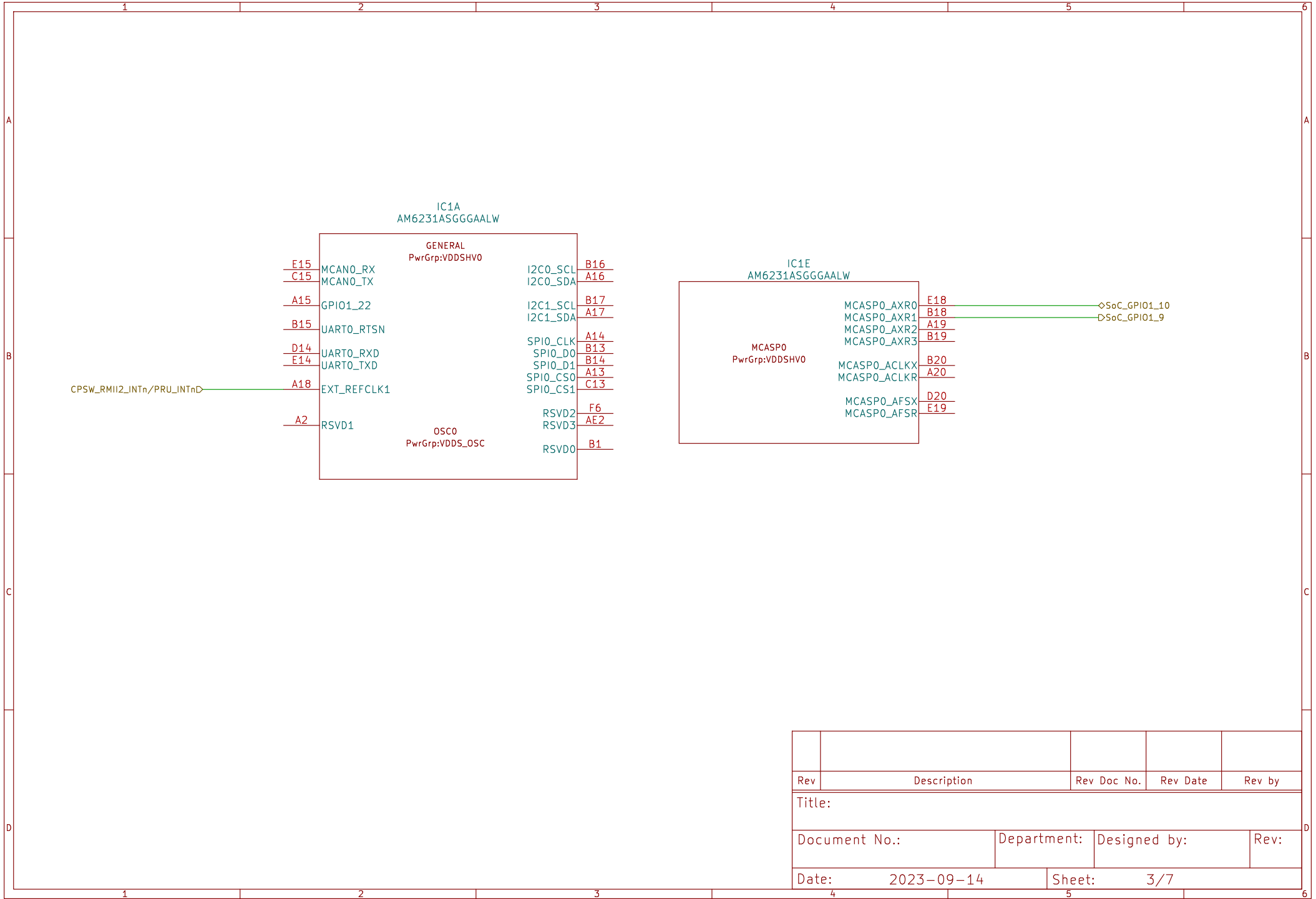


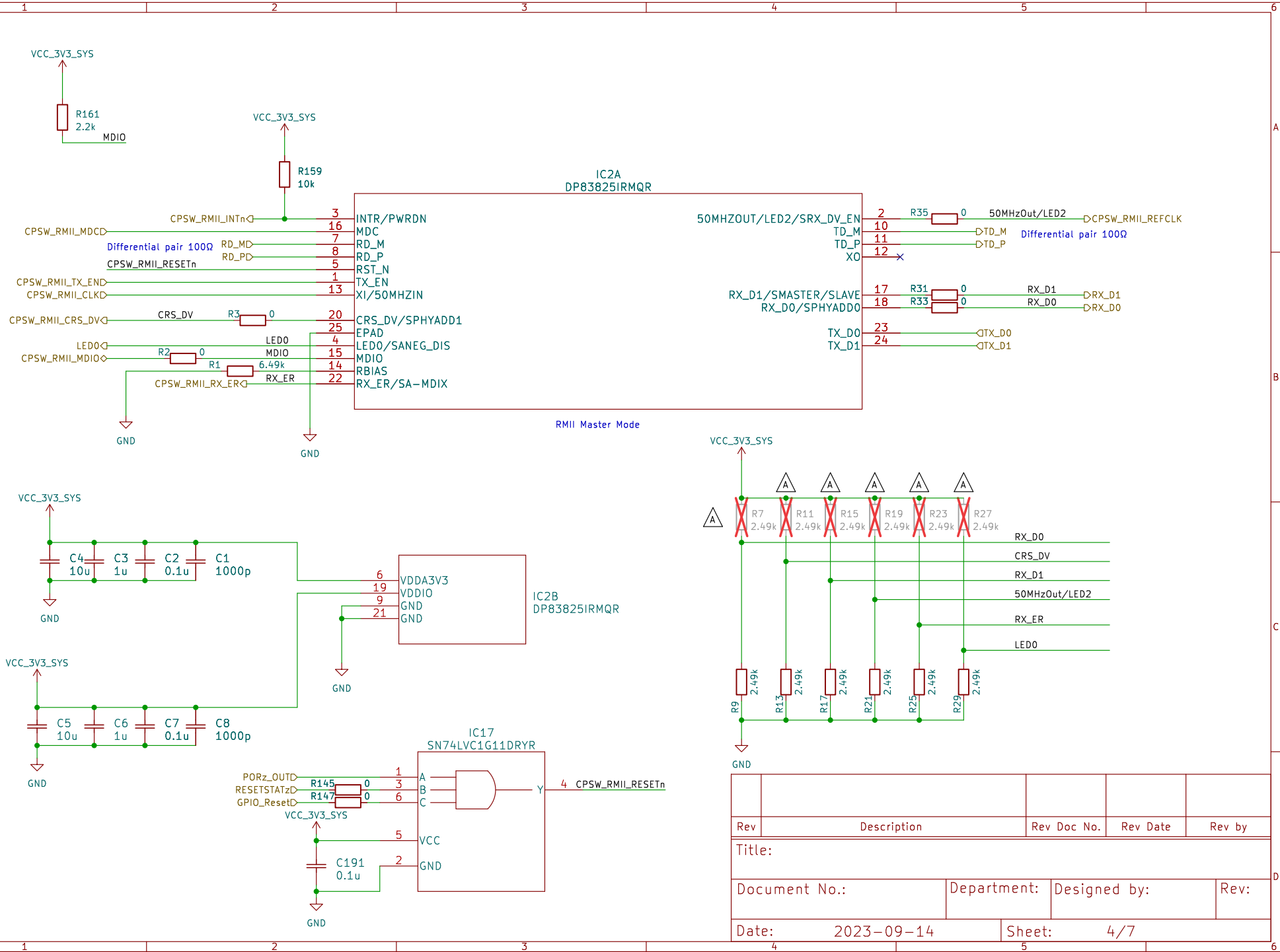
Rev	Description	Rev Doc No.	Rev Date	Rev by
Title:				
Document No.:		Department:	Designed by:	Rev:
Date:	2023-09-14	Sheet:	1/7	



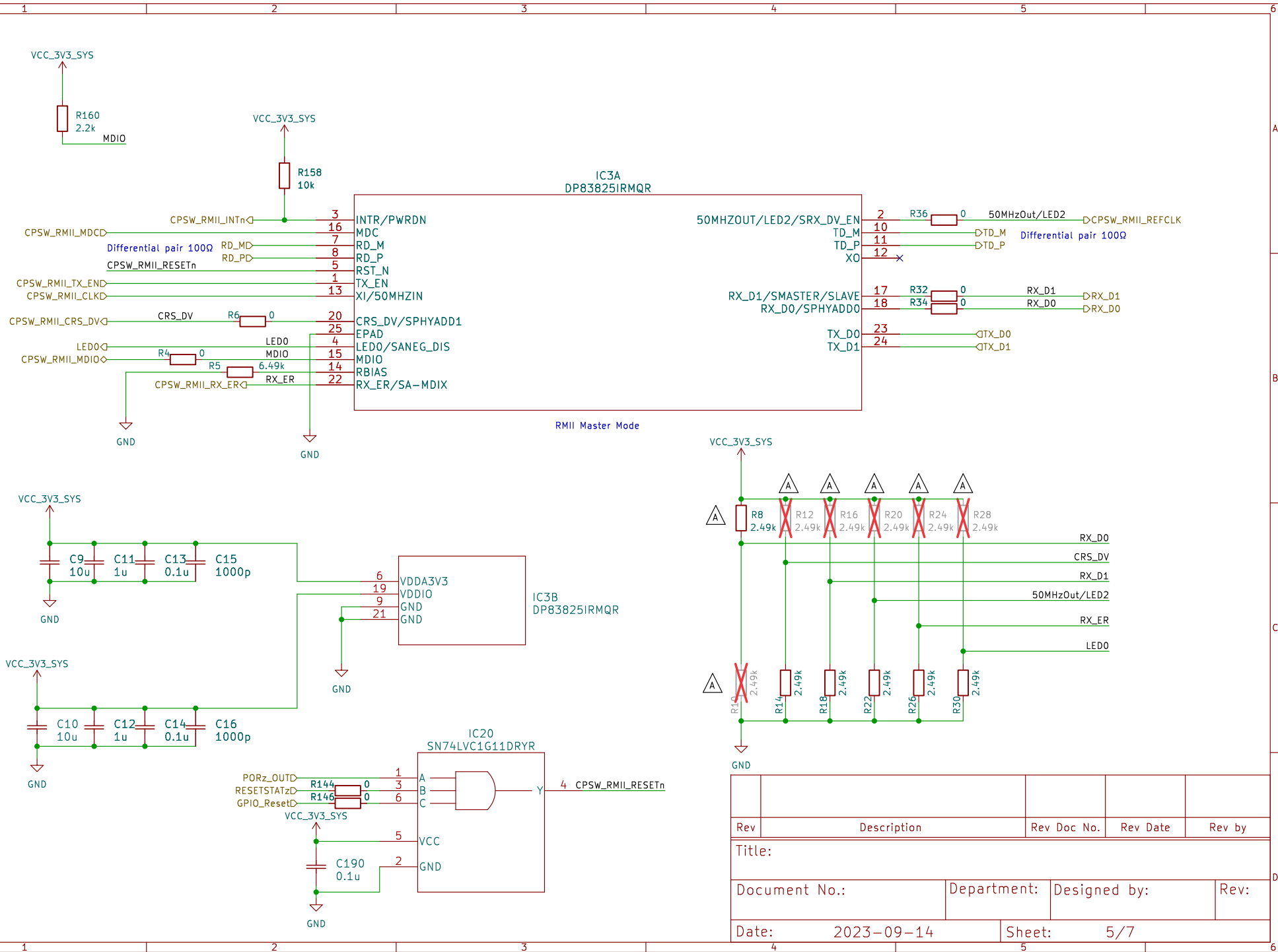
Rev	Description	Rev Doc No.	Rev Date	Rev by
Title:				
Document No.:		Department:	Designed by:	Rev:
Date:	2023-09-14	Sheet:	2/7	



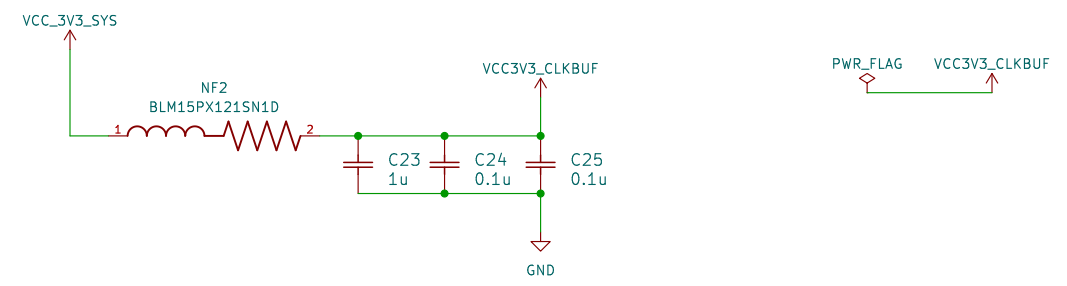
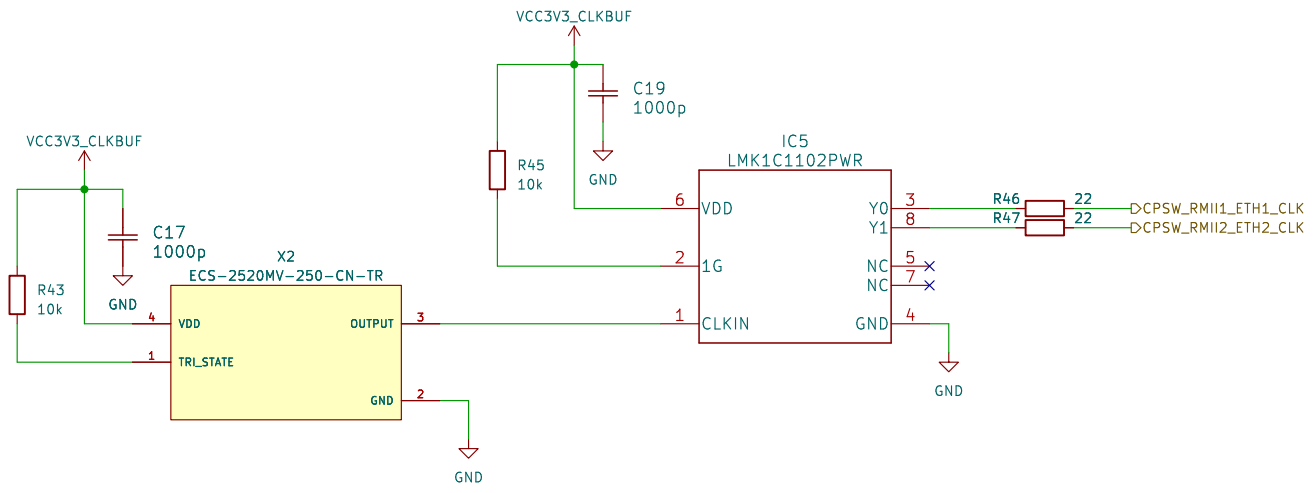
Rev	Description	Rev Doc No.	Rev Date	Rev by
Title:				
Document No.:		Department:	Designed by:	Rev:
Date:	2023-09-14	Sheet:	3/7	



Rev	Description	Rev Doc No.	Rev Date	Rev by
Title:				
Document No.:		Department:	Designed by:	Rev:
Date: 2023-09-14		Sheet: 4/7		

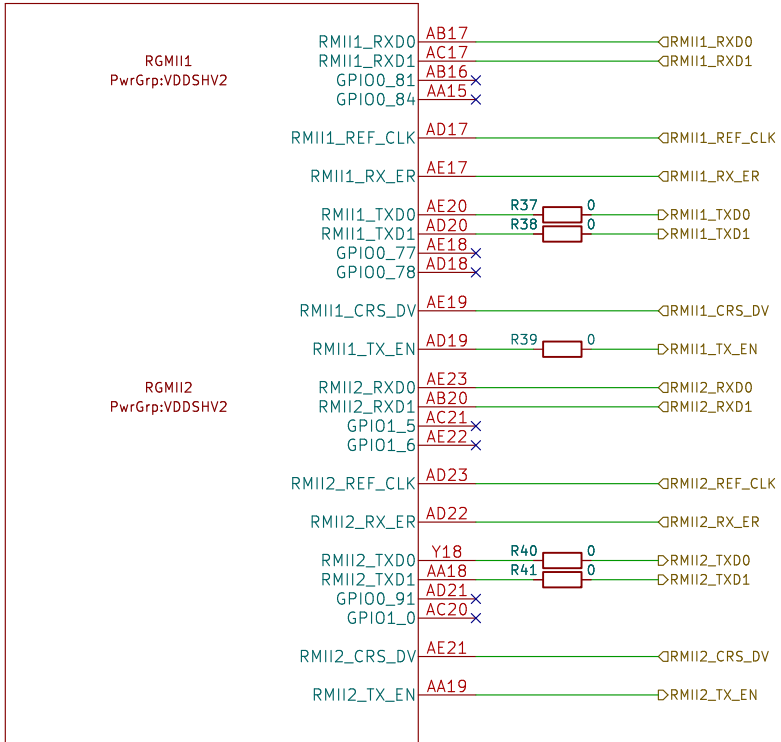


Rev	Description	Rev Doc No.	Rev Date	Rev by
Title:				
Document No.:		Department:	Designed by:	Rev:
Date: 2023-09-14		Sheet: 5/7		

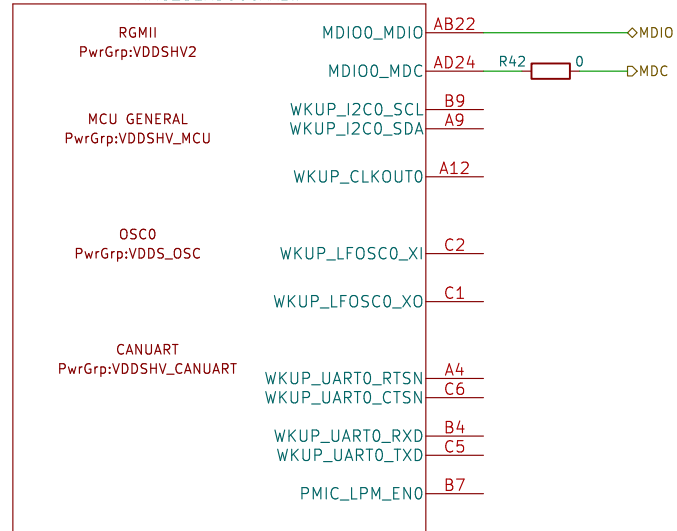


Rev	Description	Rev Doc No.	Rev Date	Rev by
Title:				
Document No.:		Department:	Designed by:	Rev:
Date: 2023-09-14		Sheet: 6/7		

IC1M
AM6231ASGGGALW



IC10
AM6231ASGGGALW



Rev	Description	Rev Doc No.	Rev Date	Rev by
Title:				
Document No.:		Department:	Designed by:	Rev:
Date: 2023-09-14		Sheet: 7/7		