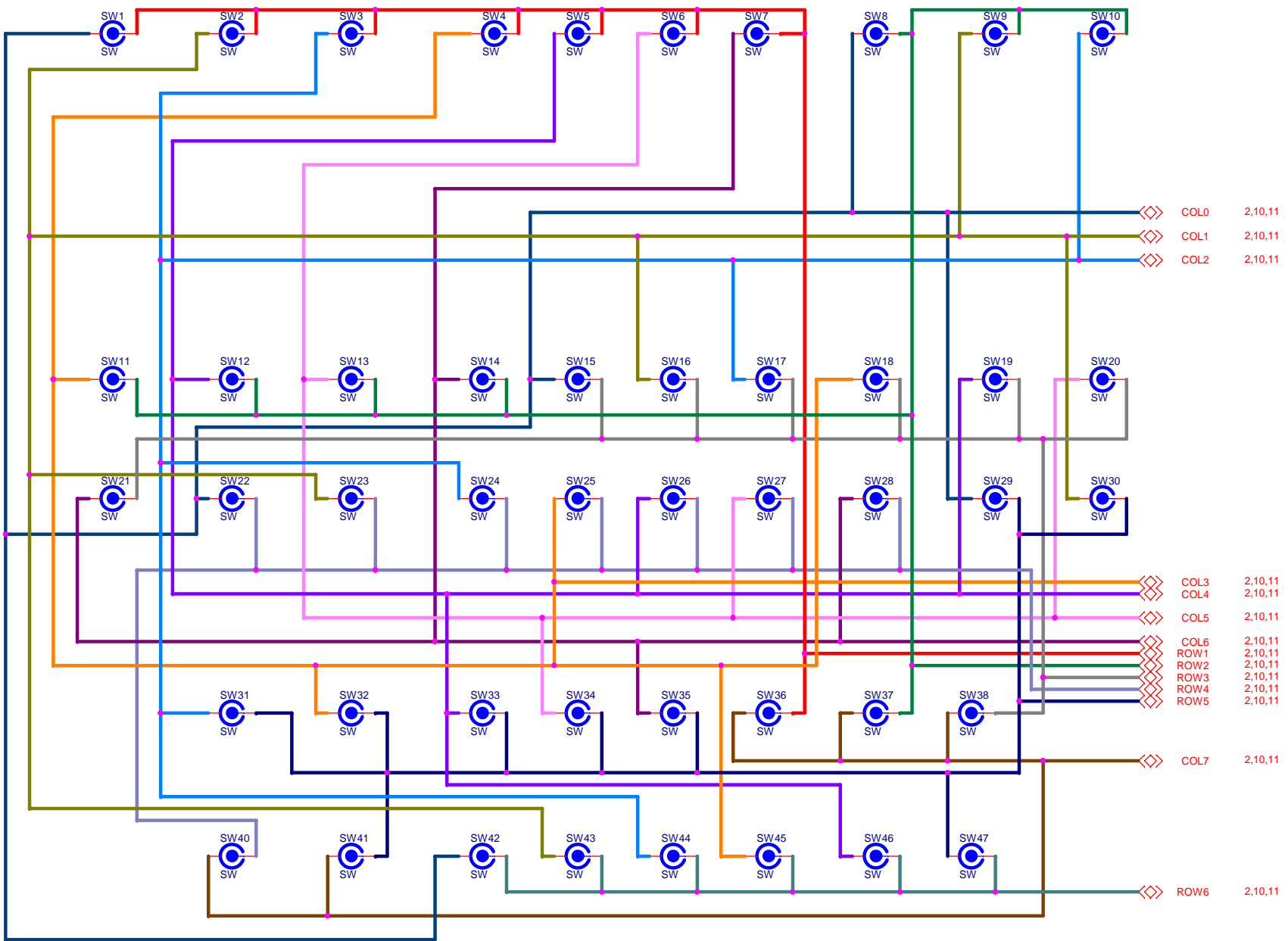



KEY PAD



TEG9300 Linux 3G POS - DISPLAY Board

Prepared	Checked	Approved	Title: DISPLAY BOARD	SIZE C
		Design Ref: POS_3G_DIS_V001	Sub-Title: Keypad Scan Device	Rev 0
DWG No: OMAG1700XXX		PCB Ref: OAS PR 200XXX	Date: Thursday, November 02, 2017	Sheet 3 of 3