

Table 8-1. Buck output capacitance

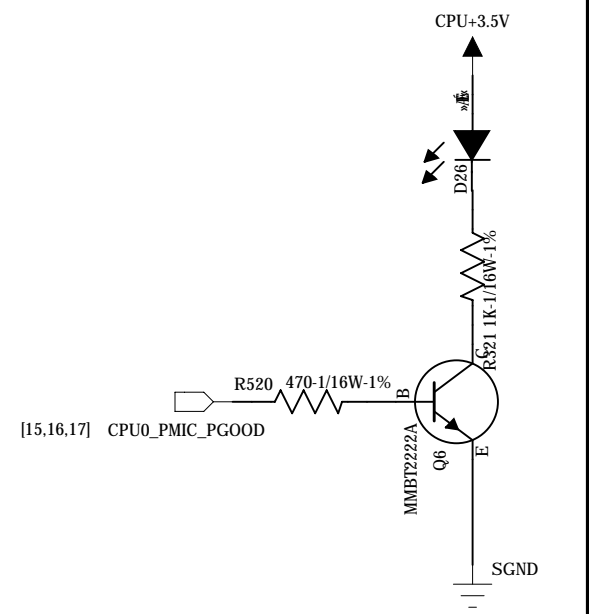
Switching Mode Selection	Bandwidth Selection	Spec parameter	Min	Max (includes local + point of load)
Register Field: BUCK_FF_ENABLE	Register fields: BUCK1_BW_SEL, BUCK2_BW_SEL, BUCK3_BW_SEL			
Quasi-fixed frequency (auto-PFM or forced-PWM)	Low Bandwidth	COUT	10 uF	75 uF
	High Bandwidth	COUT_HIGH_BW	30 uF	220 uF

Table 8-2. LDO1, LDO2 output capacitance

Register setting	Register fields: LDOx_LSW_CONFIG, LDOx_BYP_CONFIG	LDO config	Max total capacitance (2.2uF local + point of load)
0	0	LDO	25uF
0	1	Bypass	50uF
1	X	Load-switch	50uF

Table 8-3. LDO3, LDO4 output capacitance

Register setting	Register fields: LDOx_SLOW_PU_RAMP	LDO ramp config	Max total capacitance (2.2uF local + point of load)
0	fast ramp		15uF
1	slow ramp		30uF



MODE/RESET: WARM RESET

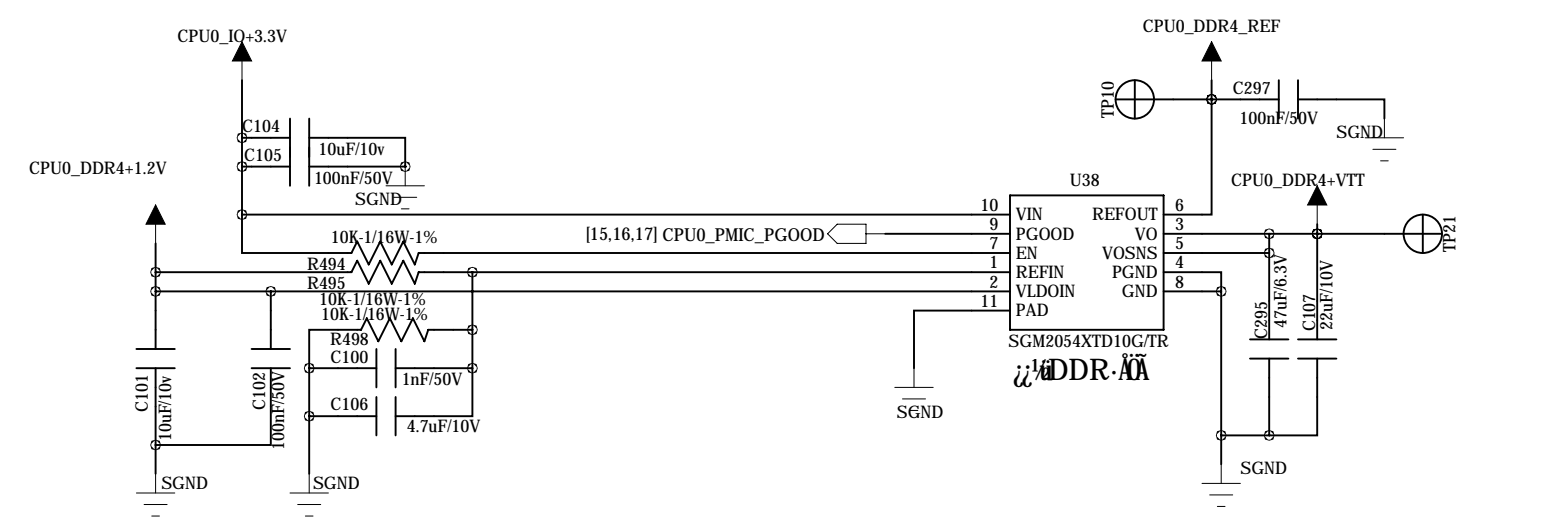
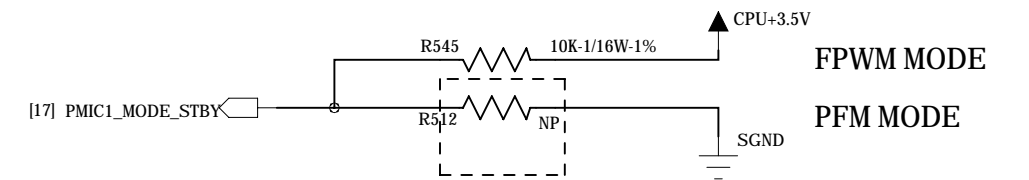
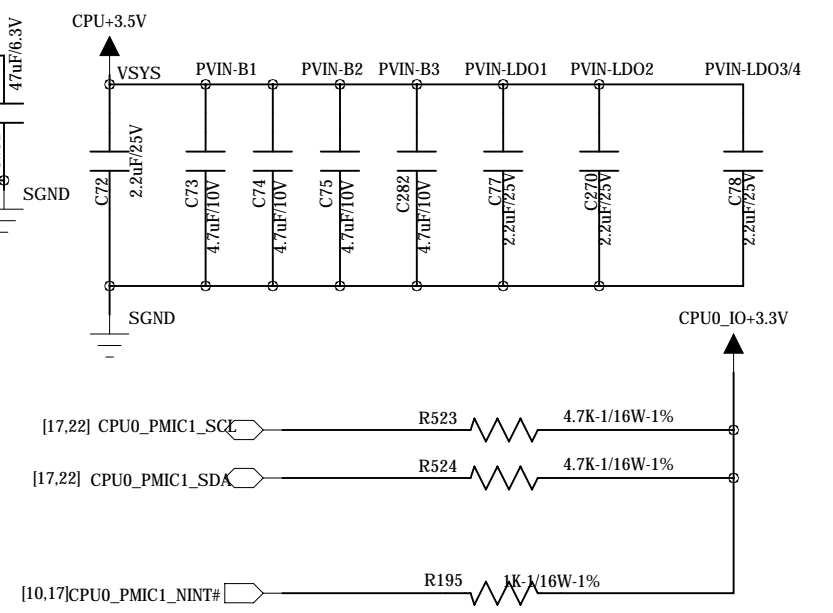
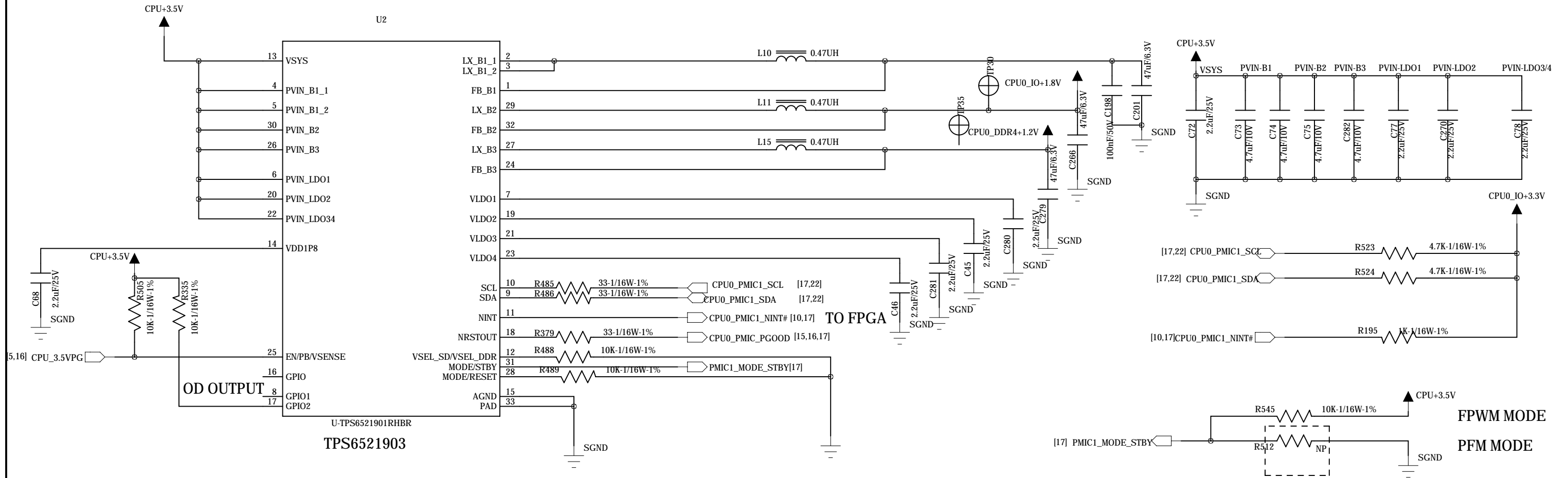
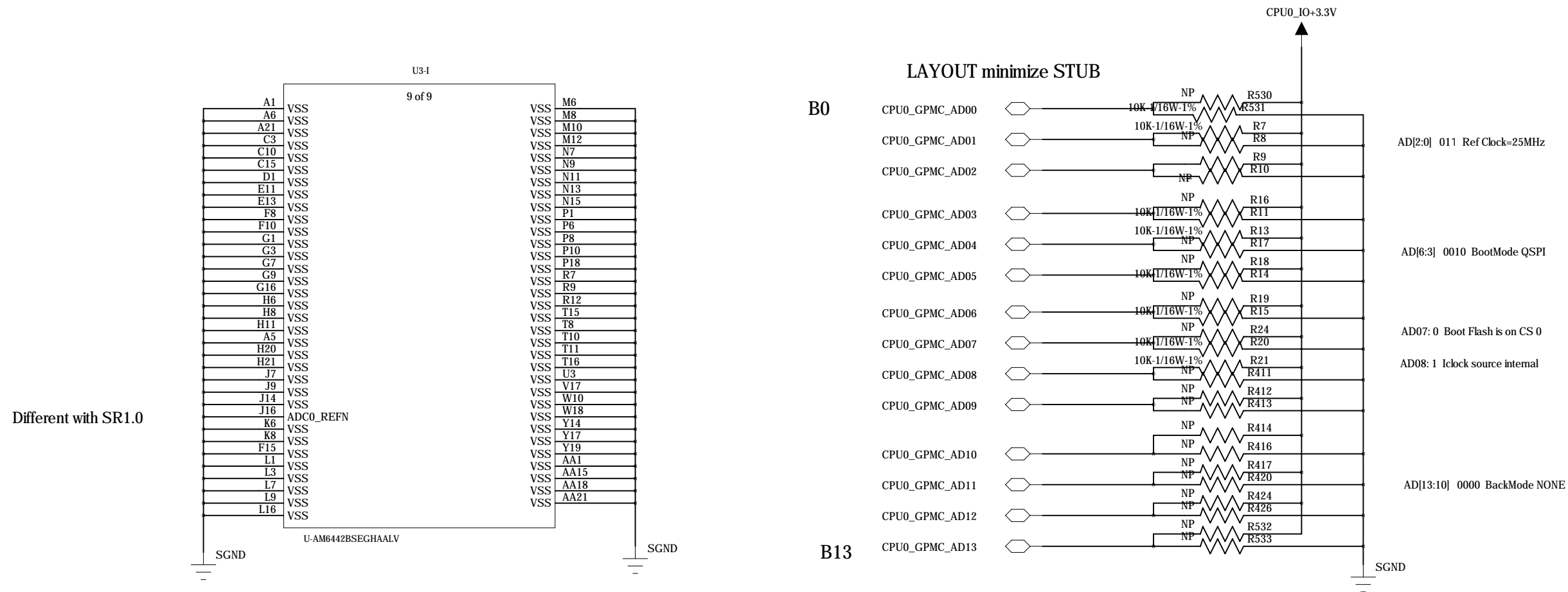
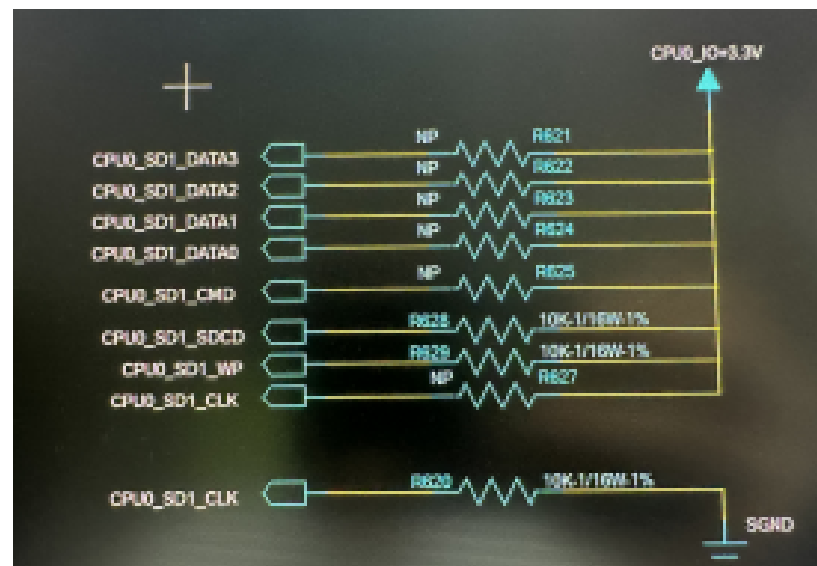
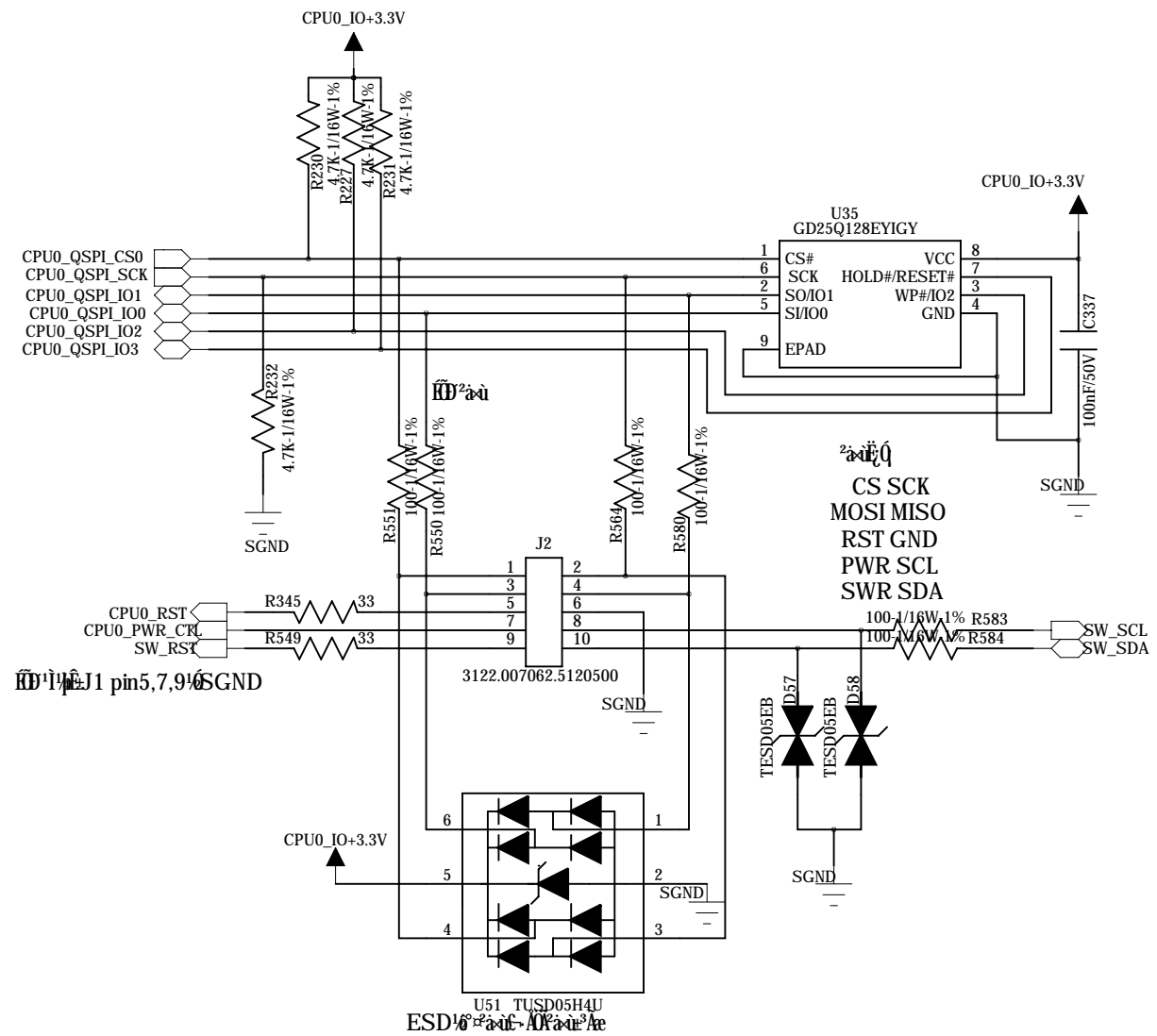
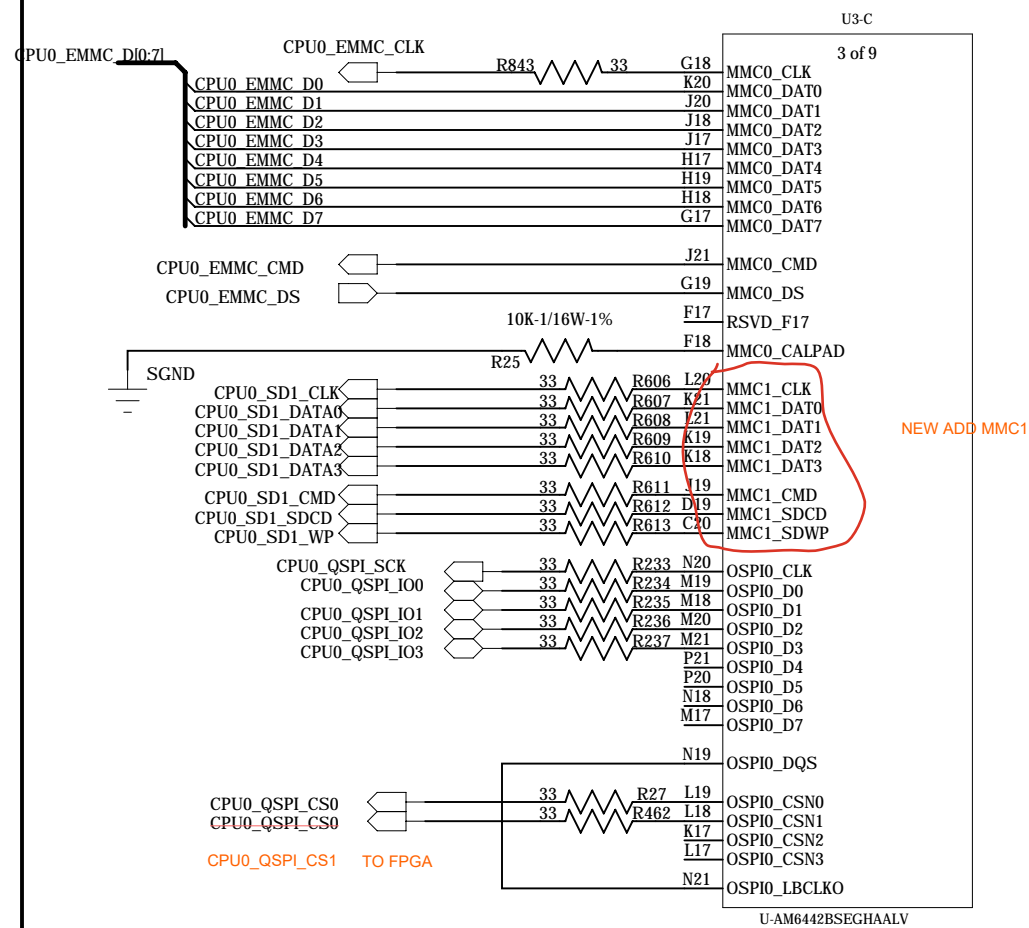


Table 4-2. BOOTMODE Pin Mapping

15	14	13	12	11	10	9	8	7	6	5	4	3	2	1	0
Reserv ed	Reserv ed	Backup Boot Mode Config	Backup Boot Mode			Primary Boot Mode Config			Primary Boot Mode			PLL Config			



Primary Boot Mode Config							Primary Boot Mode
B9	B8	B7	B6	B5	B4	B3	
Reserved	Reserved	Reserved	0	0	0	0	Reserved
Reserved	Iclk	Csel	0	0	1	0	QSPI
Reserved	Reserved	Reserved	1	0	0	1	eMMC
Core Volt	Mode	Lane Swap	1	0	1	0	USB
Reserved	Reserved	Reserved	1	0	1	1	GPMC NAND
Reserved	Reserved	Reserved	1	1	0	0	GPMC NOR



SOCKET DDR CONTROLLER

DDR4 DEVICE 8Gbit

