
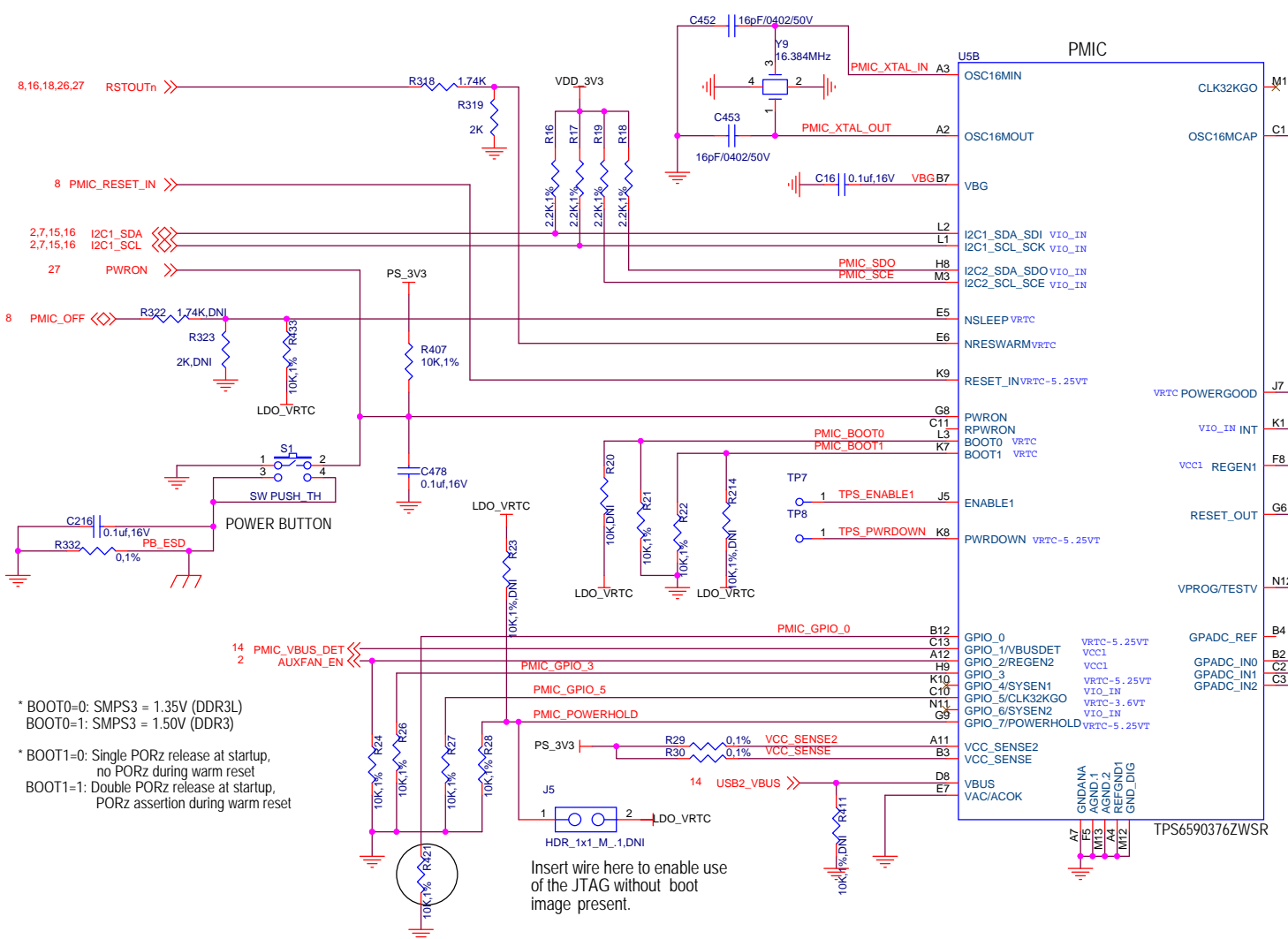


REV	DESCRIPTION	DATE	BY
A3a	<p>* PMIC reset threshold was increased from 0.84 volts to 3.07 volts by changing U13 from TPS3808G09DBVR to TPS3808G33DBVR.</p> <p>*SYSBOOT[15] was changed from "0" to "1", by changing R432 to DNI and installing a 10k resistor in R197.</p> <p>*eMMC signals connected to MMC2 were pulled high by installing 47k resistors in R250,R251,R252,R253,R254,R255,R256,R257,R258, and R259.</p>	7/11/2016	TI

- P01 TITLE PAGE
- P02 12V INPUT, 3.3V AND 5V SWITCHERS
- P03 TPS6590376 1 CONTROL
- P04 TPS6590376 2 RESET, & RTC
- P05 TPS6590376 3 MPU,DDR, & DSP SWITCHERS
- P06 TPS6590376 4 CORE & 1.8V
- P07 AM572X CORE POWER & EEPROM
- P08 AM572X CLOCKS AND RESET
- P09 AM572X IO POWER AND GROUND
- P10 AM572X DDR3 POWER & JTAG
- P11 AM572X ETHERNET 1
- P12 AM572X ETHERNET 2
- P13 AM572X GPMC & LCD
- P14 AM572X USB INTERFACES
- P15 AM572X I/O, LEDs, AND GPIO
- P16 AM572X AUDIO & DEBUG SERIAL
- P17 AM572X HDMI PORT
- P18 AM572X eMMC, MMC3, & uSD
- P19 AM572X DDR INTERFACE 1
- P20 AM572X DDR INTERFACE 2
- P21 DDR3 BANK 1
- P22 DDR3 BANK 2
- P23 DDR3 BANK 2 CAPS & TERM
- P24 DDR3 BANK 1 CAPS & TERM
- P25 USB & SATA CONNECTOR
- P26 PCIe, SATA, & SERDES CLOCK
- P27 EXPANSION HEADERS
- P28 MECHANICAL

<b>Catalog Processors</b>	<b>Texas Instruments, Inc.</b>			
	Catalog Processors Business Unit 12500 TI Blvd Dallas, TX 75243			
	<b>AM572x General Purpose EVM Processor Module</b>			
	Title Page			
Size	Document Number	Modified By:	Rev	
B	am572x_gp_evm_REV_A3a.dsn	TI Applications	A3a	
Date: Tuesday, July 12, 2016			Sheet: 1	of 27





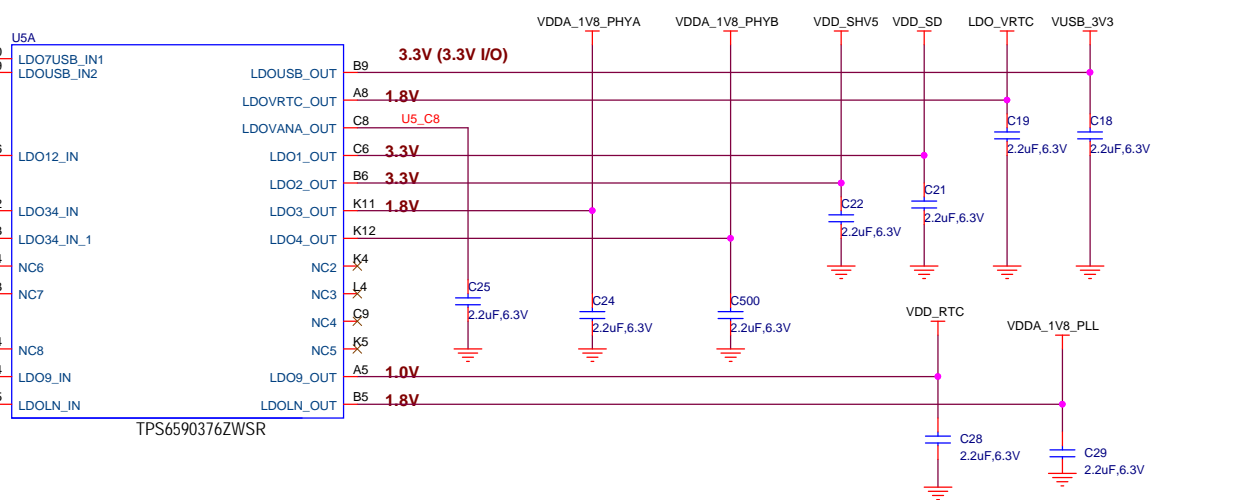
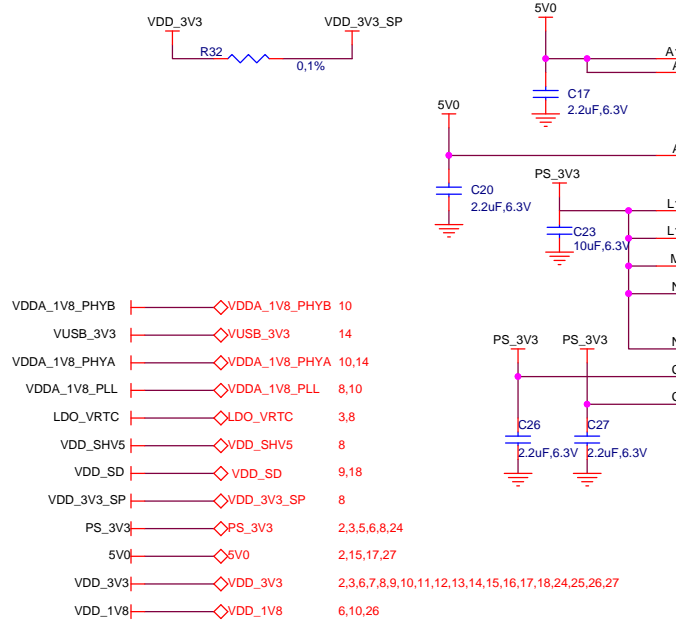
\* BOOT0=0: SMPS3 = 1.35V (DDR3L)  
 BOOT0=1: SMPS3 = 1.50V (DDR3)

\* BOOT1=0: Single PORz release at startup,  
 no PORz during warm reset  
 BOOT1=1: Double PORz release at startup,  
 PORz assertion during warm reset

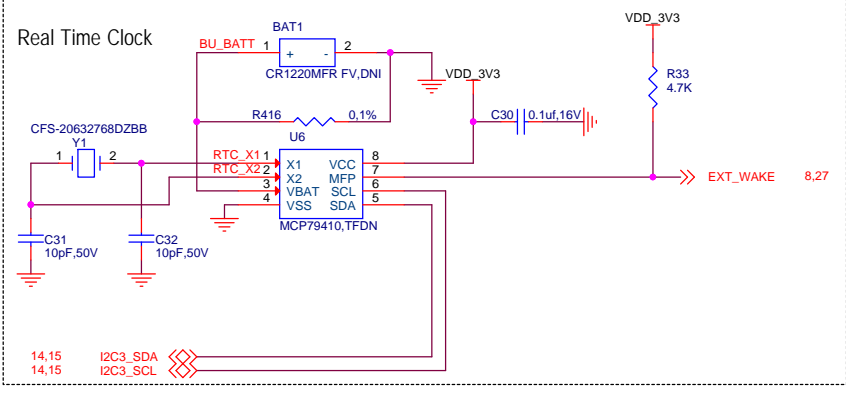
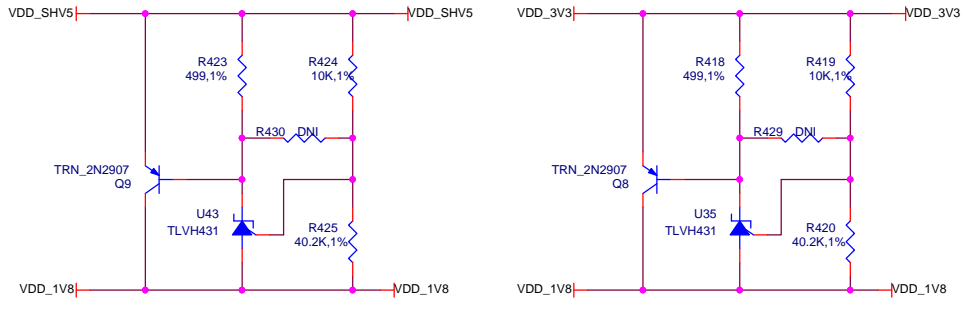
Insert wire here to enable use  
 of the JTAG without boot  
 image present.

- VDD\_3V3 >>> VDD\_3V3 2,4,6,7,8,9,10,11,12,13,14,15,16,17,18,24,25,26,27
- PS\_3V3 >>> PS\_3V3 2,4,5,6,8,24
- LDO\_VRTC >>> LDO\_VRTC 4,8

<b>Catalog Processors</b>	<b>Texas Instruments, Inc.</b>		
	Catalog Processors Business Unit 12500 TI Blvd Dallas, TX 75243		
<b>AM572x General Purpose EVM Processor Module</b>			
TPS6590376 CONTROL			
Size	Document Number	Modified By:	Rev
B	am572x_gp_ewm_REV_A3a.dsn	TI Applications	A3a
Date: Tuesday, July 12, 2016		Sheet: 3 of 27	

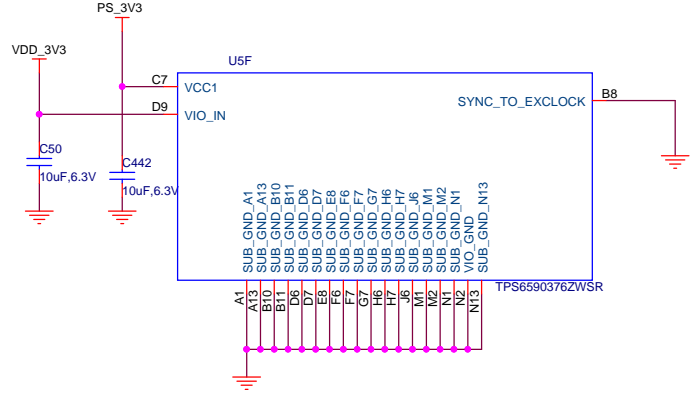
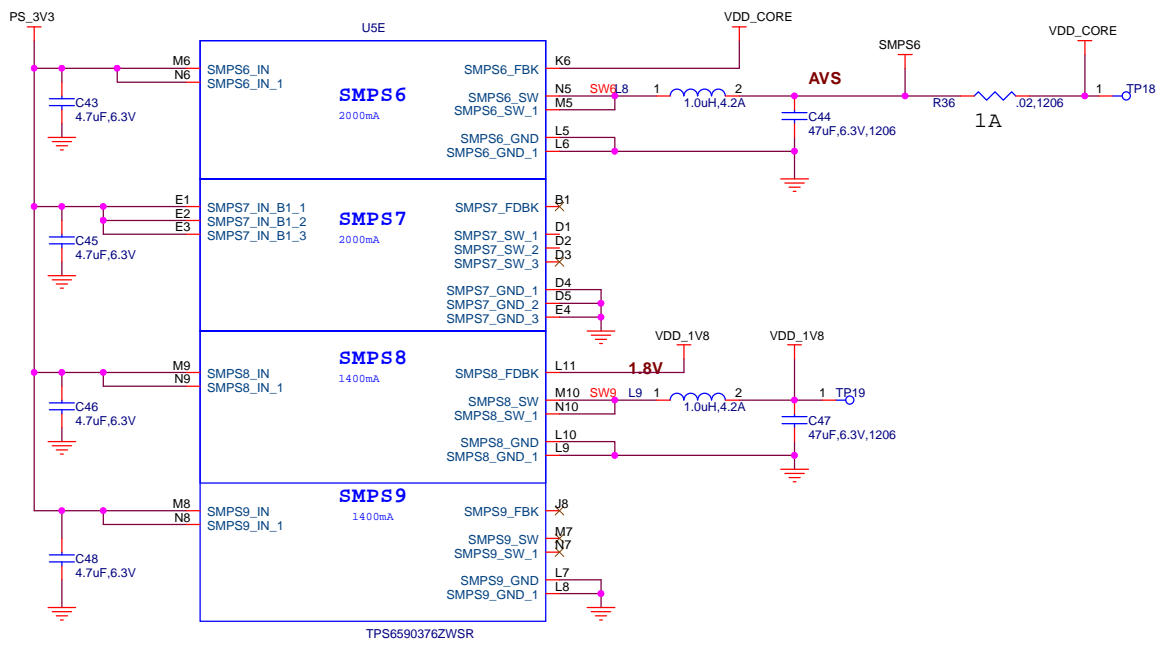


VDDA_1V8_PHYB	VDDA_1V8_PHYB	10
VUSB_3V3	VUSB_3V3	14
VDDA_1V8_PHYA	VDDA_1V8_PHYA	10,14
VDDA_1V8_PLL	VDDA_1V8_PLL	8,10
LDO_VRTC	LDO_VRTC	3,8
VDD_SHV5	VDD_SHV5	8
VDD_SD	VDD_SD	9,18
VDD_3V3_SP	VDD_3V3_SP	8
PS_3V3	PS_3V3	2,3,5,6,8,24
5V0	5V0	2,15,17,27
VDD_3V3	VDD_3V3	2,3,6,7,8,9,10,11,12,13,14,15,16,17,18,24,25,26,27
VDD_1V8	VDD_1V8	6,10,26



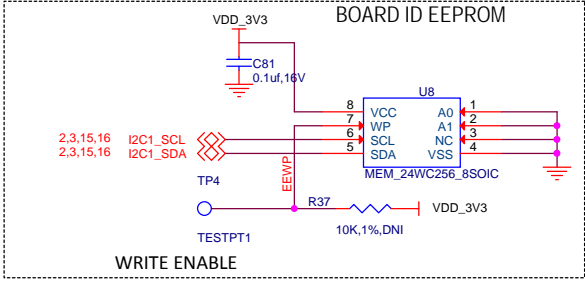
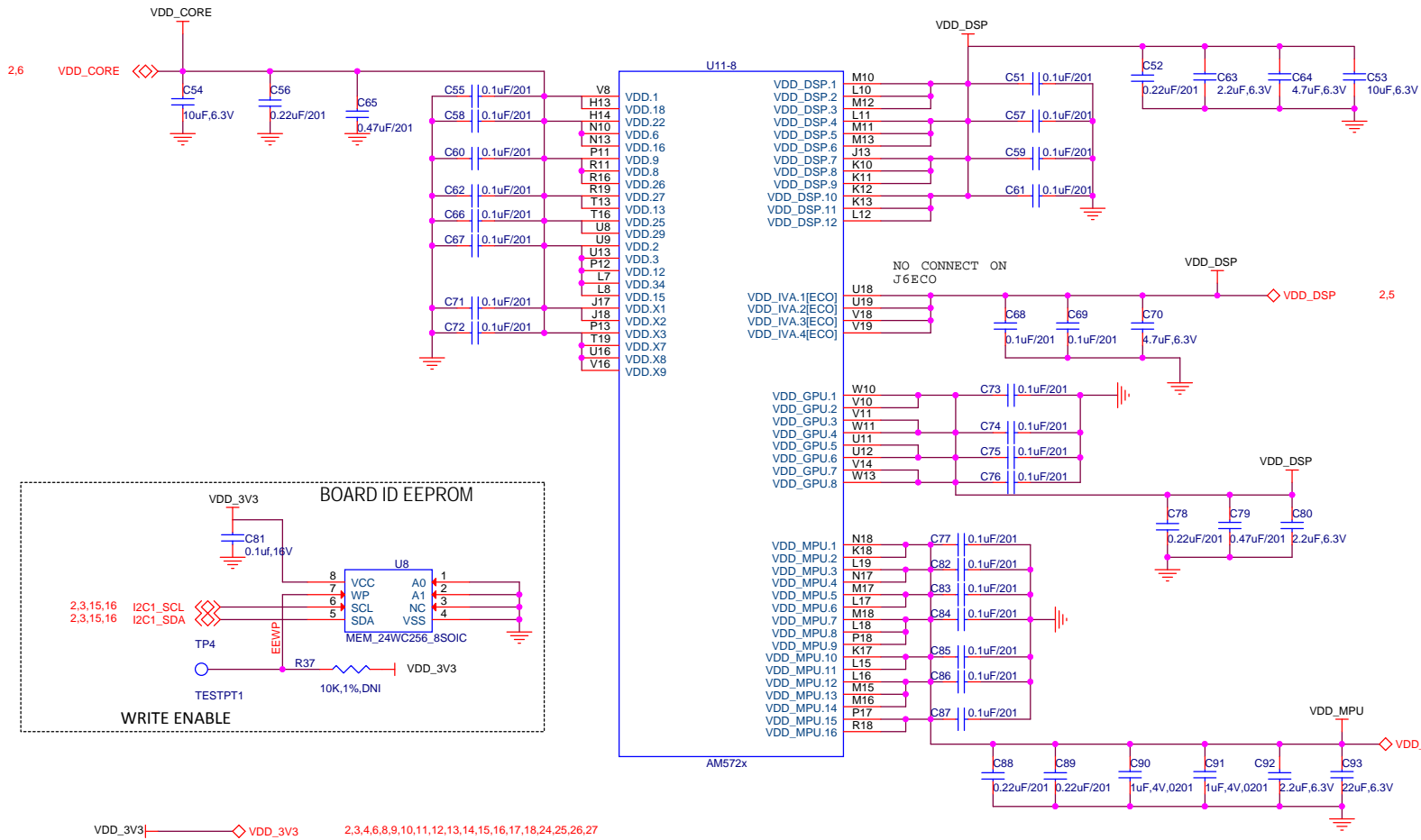
Catalog Processors	<b>Texas Instruments, Inc.</b>			
	Catalog Processors Business Unit 12500 TI Blvd Dallas, TX 75243			
	<b>AM572x General Purpose EVM Processor Module</b> TPS6590376 CONTROL			
	Size	Document Number	Modified By:	Rev
B	am572x_gp_ewm_REV_A3a.dsn	TI Applications	A3a	
Date: Tuesday, July 12, 2016		Sheet: 4 of 27		





SMPS6	◇ SMPS6	2
PS_3V3	◇ PS_3V3	2,3,4,5,8,24
VDD_3V3	◇ VDD_3V3	2,3,4,7,8,9,10,11,12,13,14,15,16,17,18,24,25,26,27
VDD_1V8	◇ VDD_1V8	4,10,26
VDD_CORE	◇ VDD_CORE	2,7

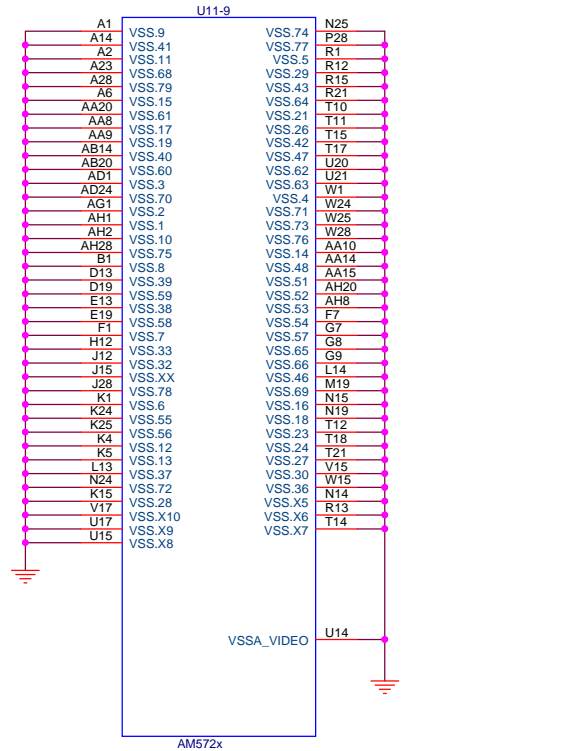
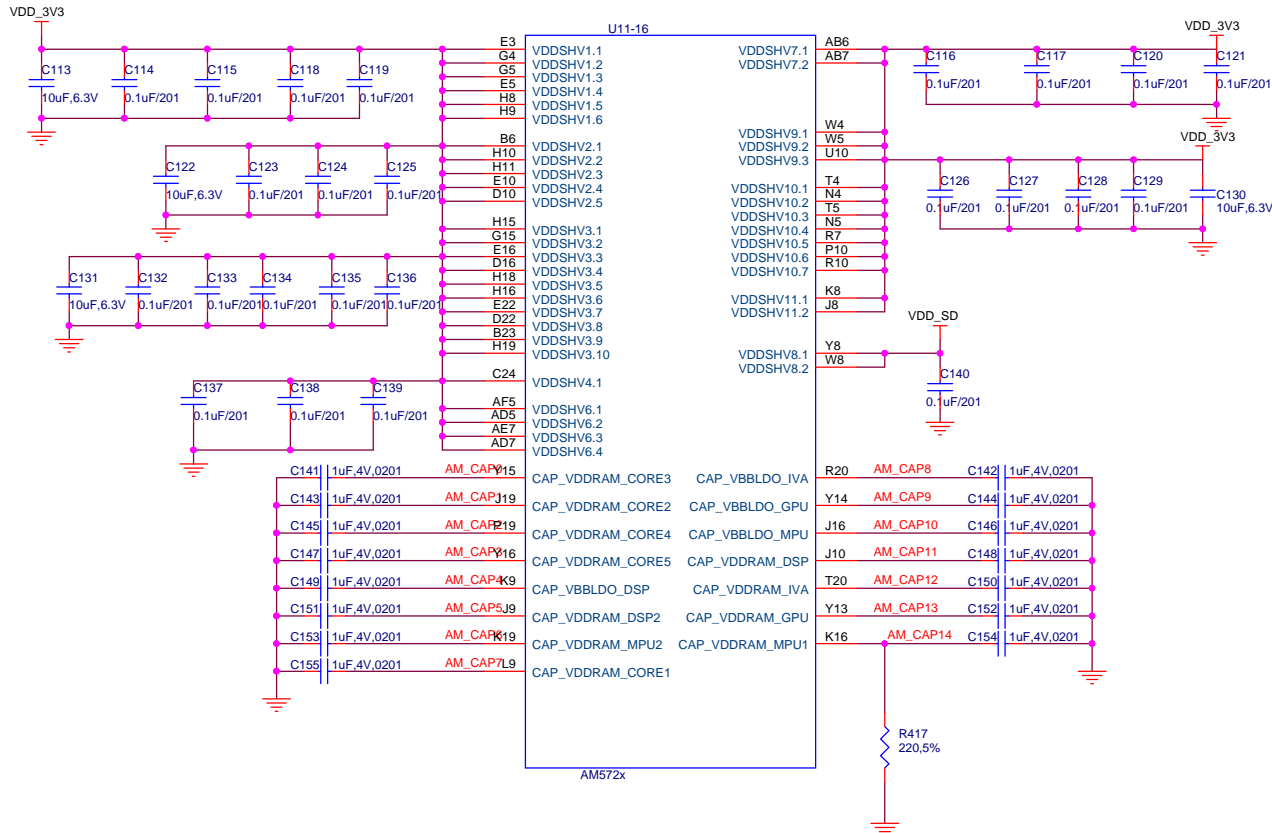
<b>Catalog Processors</b>	<b>Texas Instruments, Inc.</b>		
	Catalog Processors Business Unit 12500 TI Blvd Dallas, TX 75243		
<b>AM572x General Purpose EVM Processor Module</b> TPS6590376 SWITCHERS			
Size	Document Number	Modified By:	Rev
B	am572x_gp_ewm_REV_A3a.dsn	TI Applications	A3a
Date: Tuesday, July 12, 2016		Sheet: 6 of 27	



<b>Catalog Processors</b>	<b>Texas Instruments, Inc.</b>			
	Catalog Processors Business Unit 12500 TI Blvd Dallas, TX 75243			
	<b>AM572x General Purpose EVM Processor Module</b> AM5728 CORE POWER			
Size	Document Number	Modified By:	Rev	
B	am572x_gp_ewm_REV_A3a.dsn	TI Applications	A3a	
Date: Tuesday, July 12, 2016		Sheet: 7 of 27		

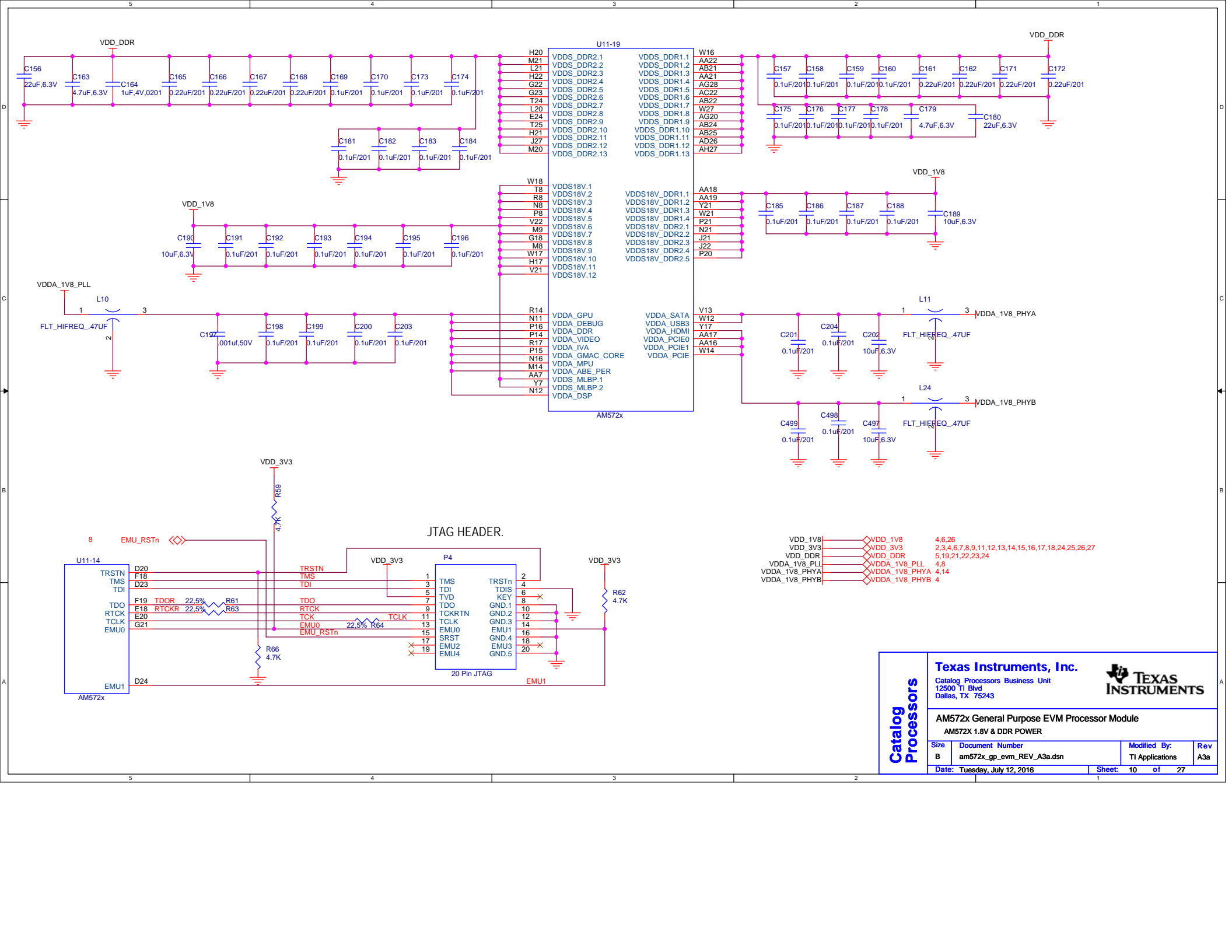






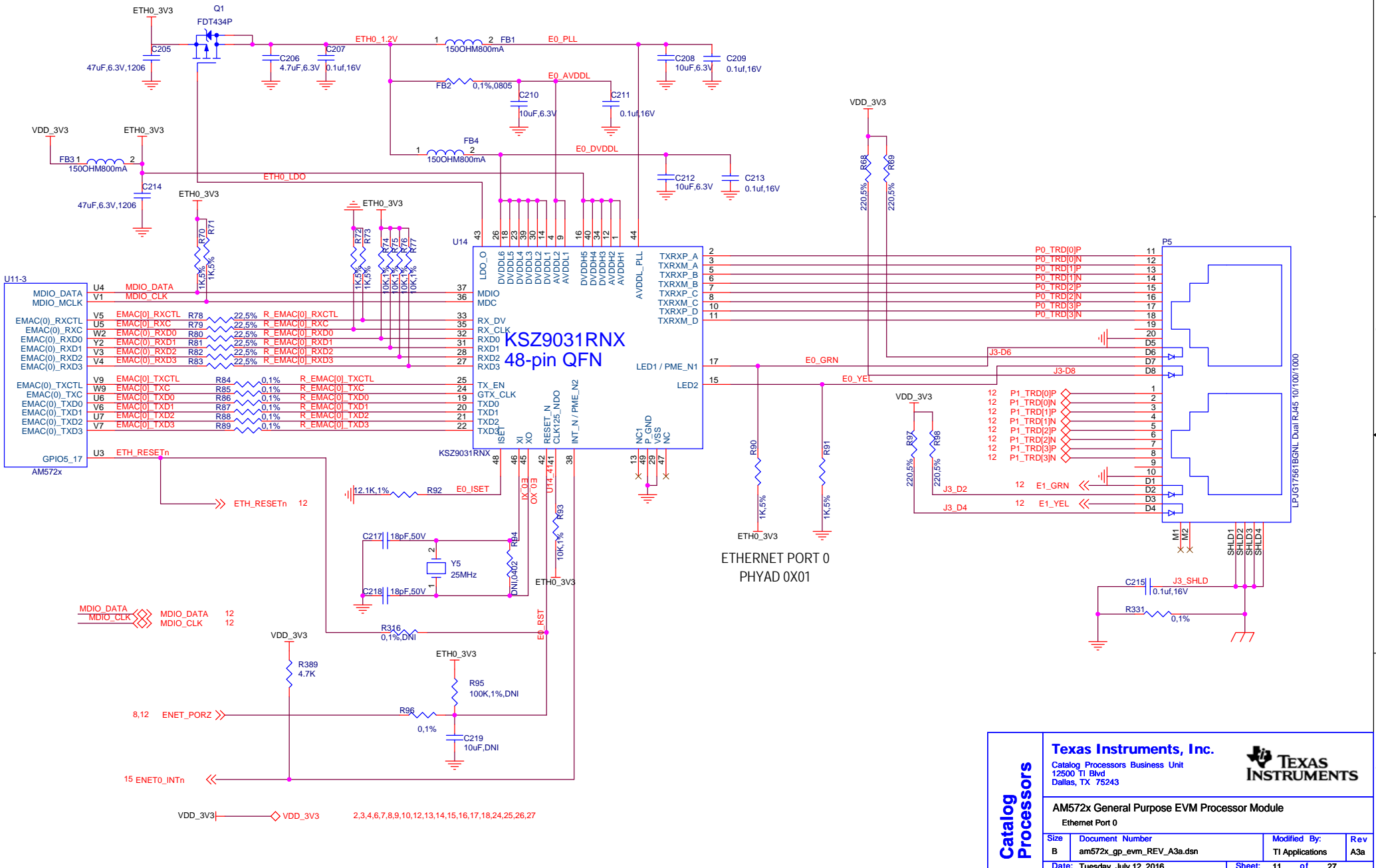
VDD\_SD |-----◇ VDD\_SD 4,18  
VDD\_3V3 |-----◇ VDD\_3V3 2,3,4,6,7,8,10,11,12,13,14,15,16,17,18,24,25,26,27

<b>Catalog Processors</b>	<b>Texas Instruments, Inc.</b>			
	Catalog Processors Business Unit 12500 TI Blvd Dallas, TX 75243			
	<b>AM572x General Purpose EVM Processor Module</b> <b>AM572X I/O POWER &amp; GROUND</b>			
Size	Document Number	Modified By:	Rev	
B	am572x_gp_ewm_REV_A3a.dsn	TI Applications	A3a	
Date: Tuesday, July 12, 2016		Sheet: 9 of 27		



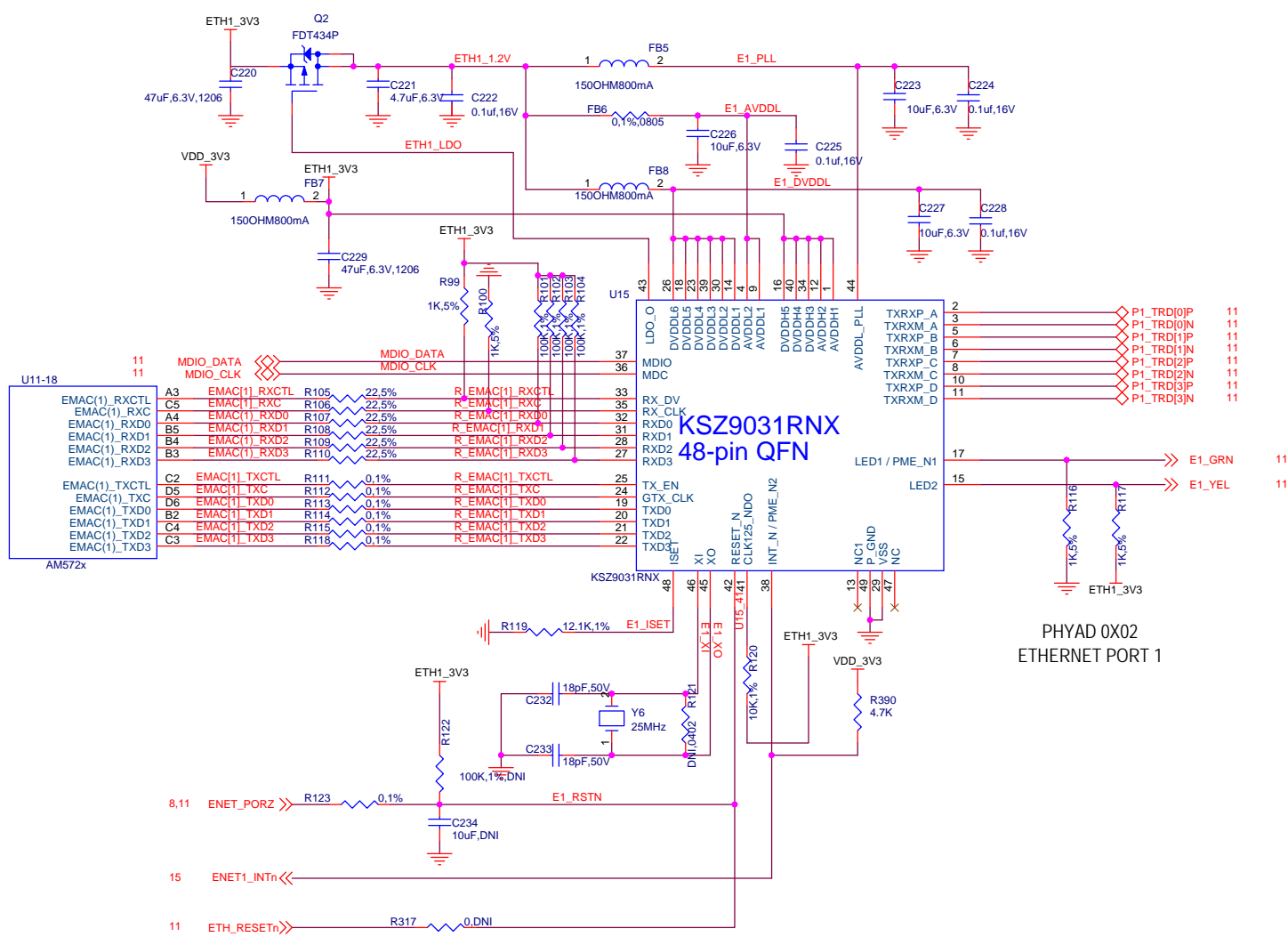
VDD_1V8	VDD_1V8	4,6,26
VDD_3V3	VDD_3V3	2,3,4,6,7,8,9,11,12,13,14,15,16,17,18,24,25,26,27
VDD_DDR	VDD_DDR	5,19,21,22,23,24
VDDA_1V8_PLL	VDDA_1V8_PLL	4,8
VDDA_1V8_PHYA	VDDA_1V8_PHYA	4,14
VDDA_1V8_PHYB	VDDA_1V8_PHYB	4

<b>Catalog Processors</b>	<b>Texas Instruments, Inc.</b>			
	Catalog Processors Business Unit 12500 TI Blvd Dallas, TX 75243			
	<b>AM572x General Purpose EVM Processor Module</b> <b>AM572X 1.8V &amp; DDR POWER</b>			
Size	Document Number	Modified By:	Rev	
B	am572x_gp_ewm_REV_A3a.dsn	TI Applications	A3a	
Date: Tuesday, July 12, 2016		Sheet: 10 of 27		



ETHERNET PORT 0  
PHYAD 0X01

<b>Catalog Processors</b>	<b>Texas Instruments, Inc.</b>		
	Catalog Processors Business Unit 12500 TI Blvd Dallas, TX 75243		
	<b>AM572x General Purpose EVM Processor Module</b>		
	Ethernet Port 0		
Size	Document Number	Modified By:	Rev
B	am572x_gp_evm_REV_A3a.dsn	TI Applications	A3a
Date: Tuesday, July 12, 2016		Sheet: 11	of 27



PHYAD 0X02  
ETHERNET PORT 1

U11-18

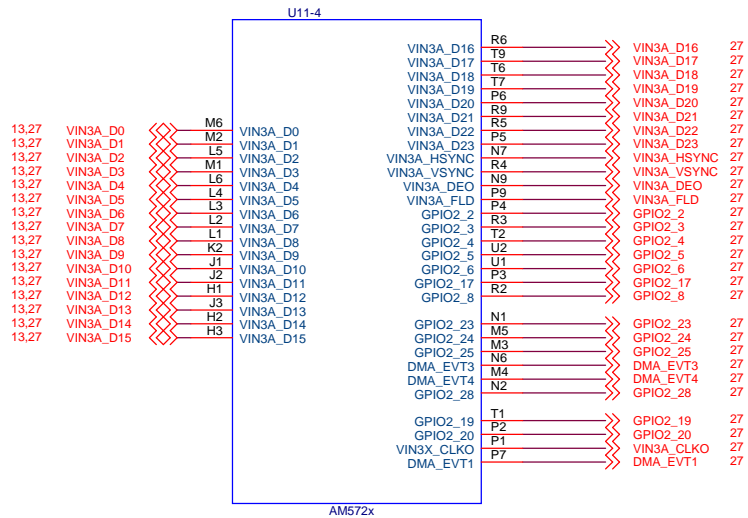
EMAC(1)_RXCTL	A3	EMAC(1)_RXCTL	R105	22.5%	R	EMAC(1)_RXCTL	33
EMAC(1)_RXC	C5	EMAC(1)_RXC	R106	22.5%	R	EMAC(1)_RXC	35
EMAC(1)_RXD0	A4	EMAC(1)_RXD0	R107	22.5%	R	EMAC(1)_RXD0	32
EMAC(1)_RXD1	B5	EMAC(1)_RXD1	R108	22.5%	R	EMAC(1)_RXD1	31
EMAC(1)_RXD2	B4	EMAC(1)_RXD2	R109	22.5%	R	EMAC(1)_RXD2	28
EMAC(1)_RXD3	B3	EMAC(1)_RXD3	R110	22.5%	R	EMAC(1)_RXD3	27
EMAC(1)_TXCTL	C2	EMAC(1)_TXCTL	R111	0.1%	R	EMAC(1)_TXCTL	25
EMAC(1)_TXC	D5	EMAC(1)_TXC	R112	0.1%	R	EMAC(1)_TXC	24
EMAC(1)_TXD0	D6	EMAC(1)_TXD0	R113	0.1%	R	EMAC(1)_TXD0	19
EMAC(1)_TXD1	B2	EMAC(1)_TXD1	R114	0.1%	R	EMAC(1)_TXD1	20
EMAC(1)_TXD2	C4	EMAC(1)_TXD2	R115	0.1%	R	EMAC(1)_TXD2	21
EMAC(1)_TXD3	C3	EMAC(1)_TXD3	R118	0.1%	R	EMAC(1)_TXD3	22

2	TXRXP_A	P1_TRD[0]P	11
3	TXRXM_A	P1_TRD[0]N	11
4	TXRXP_B	P1_TRD[1]P	11
5	TXRXM_B	P1_TRD[1]N	11
6	TXRXP_C	P1_TRD[2]P	11
7	TXRXM_C	P1_TRD[2]N	11
8	TXRXP_D	P1_TRD[3]P	11
9	TXRXM_D	P1_TRD[3]N	11

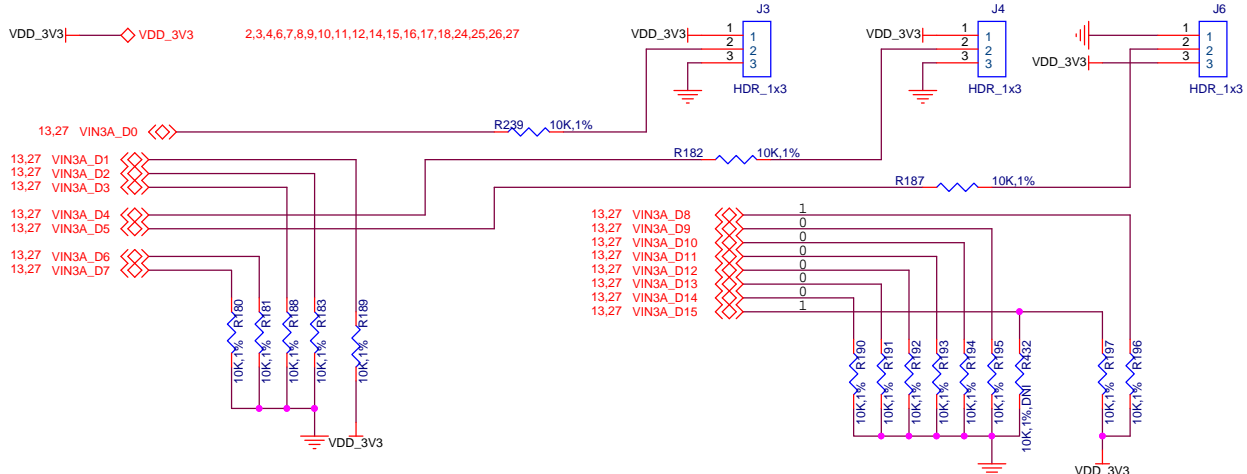
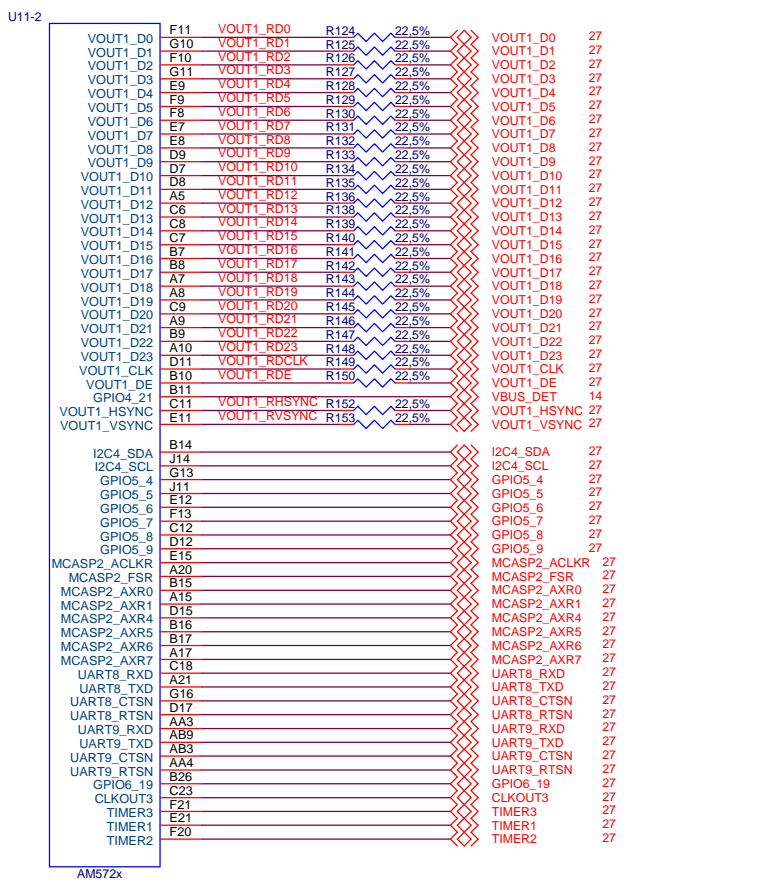
17	LED1 / PME_N1	E1_GRN	11
15	LED2	E1_YEL	11

VDD\_3V3 2,3,4,6,7,8,9,10,11,13,14,15,16,17,18,24,25,26,27

<b>Catalog Processors</b>	<b>Texas Instruments, Inc.</b>			
	Catalog Processors Business Unit 12500 TI Blvd Dallas, TX 75243			
	<b>AM572x General Purpose EVM Processor Module</b>			
	Ethernet Port 1			
Size	Document Number	Modified By:	Rev	
B	am572x_gp_ewm_REV_A3a.dsn	TI Applications	A3a	
Date:	Tuesday, July 12, 2016	Sheet:	12	of 27



BOOT from SD then eMMC	J3	1-2	X
	J4		X
	J6		X
BOOT from UART	J3		X
	J4	X	
	J6	X	
BOOT from SATA then SD	J3	X	
	J4		X
	J6		X

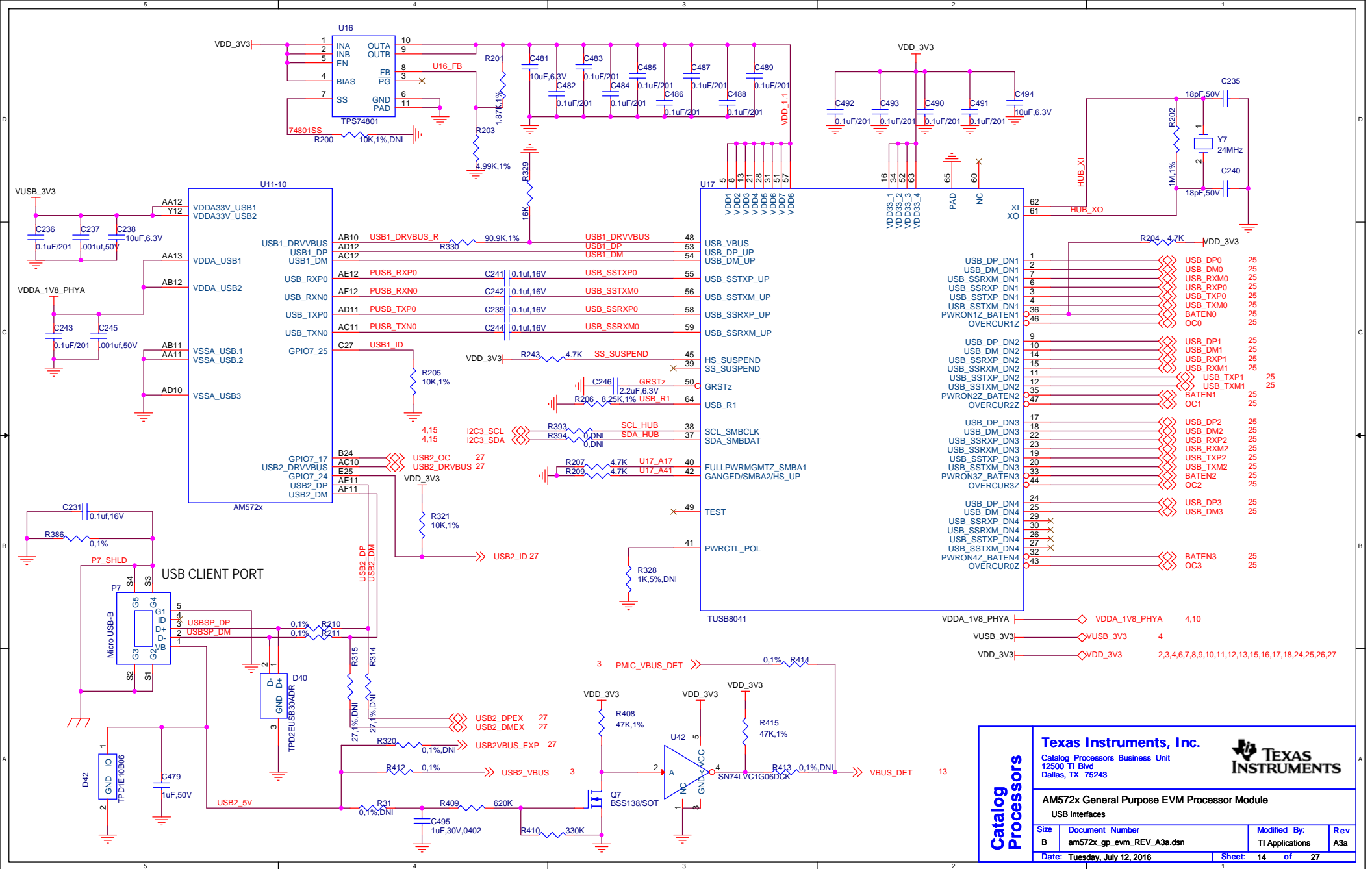


**Texas Instruments, Inc.**  
 Catalog Processors Business Unit  
 12500 TI Blvd  
 Dallas, TX 75243

**AM572x General Purpose EVM Processor Module**  
 I/O LCD and Boot

Size	Document Number	Modified By:	Rev
B	am572x_gp_evm_REV_A3a.dsn	TI Applications	A3a
Date:	Tuesday, July 12, 2016	Sheet:	13 of 27

**Catalog Processors**



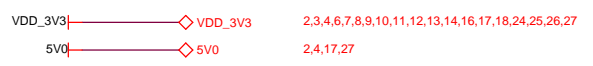
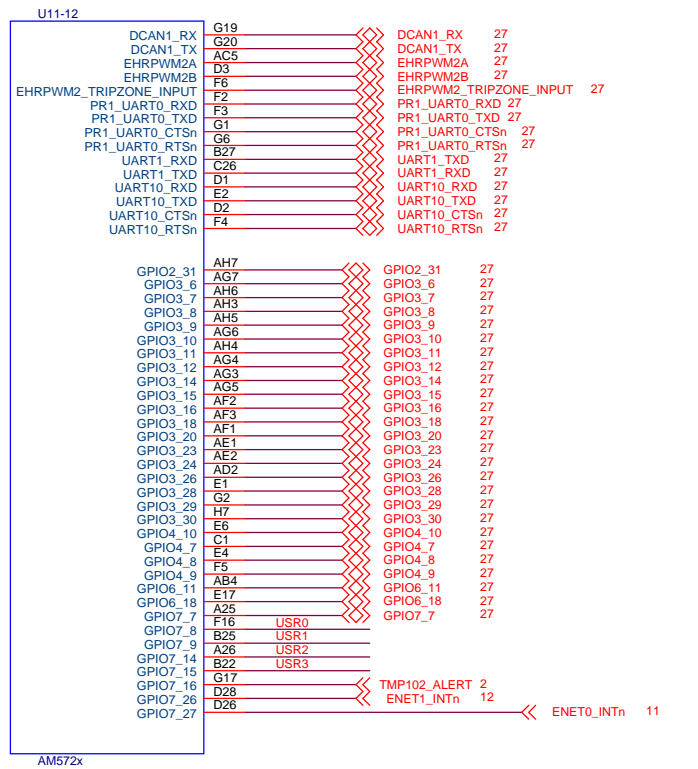
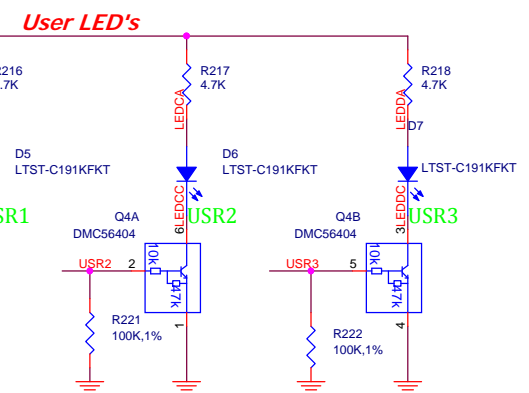
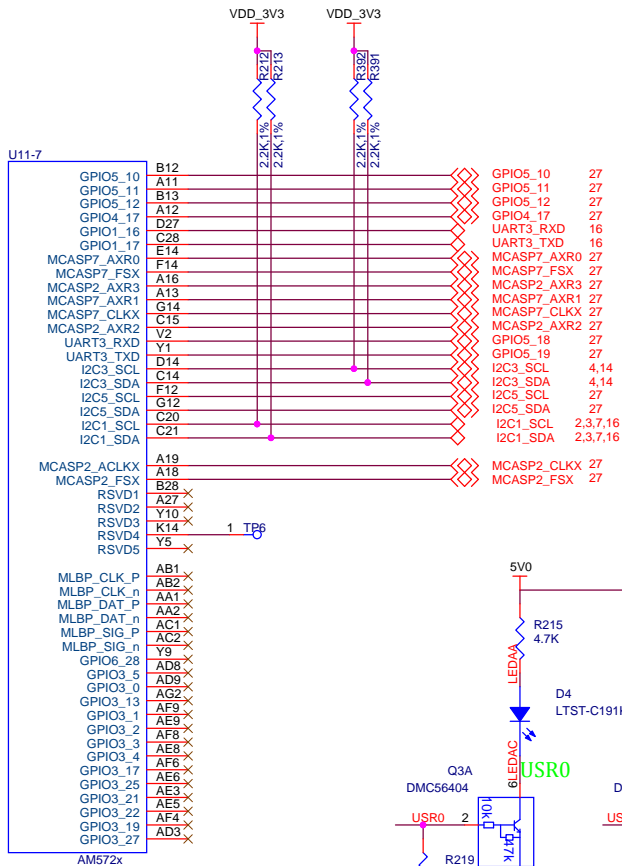
**Catalog Processors**

**Texas Instruments, Inc.**  
 Catalog Processors Business Unit  
 12500 TI Blvd  
 Dallas, TX 75243

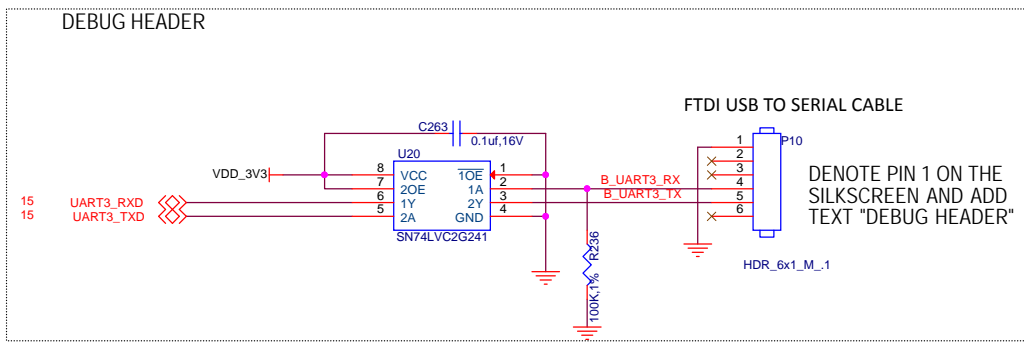
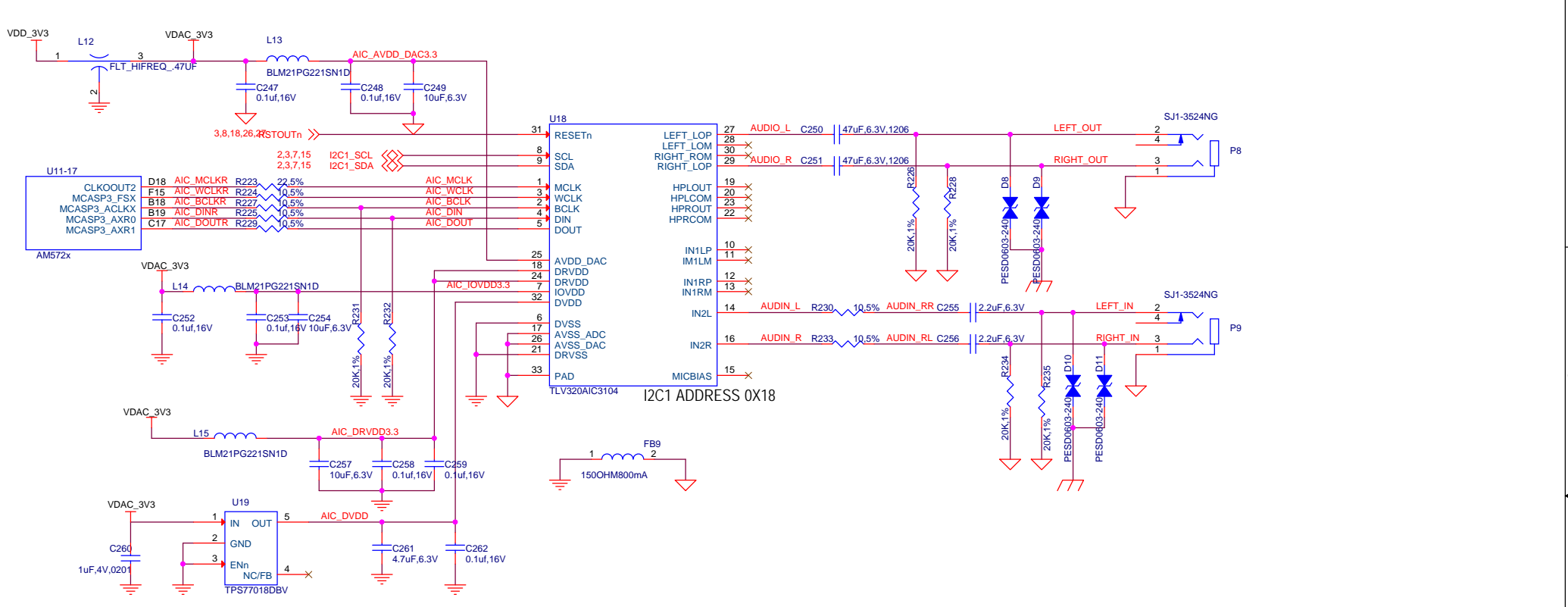
**AM572x General Purpose EVM Processor Module**  
 USB Interfaces

Size	Document Number	Modified By:	Rev
B	am572x_gp_ewm_REV_A3a.dsn	TI Applications	A3a

Date: Tuesday, July 12, 2016      Sheet: 14 of 27



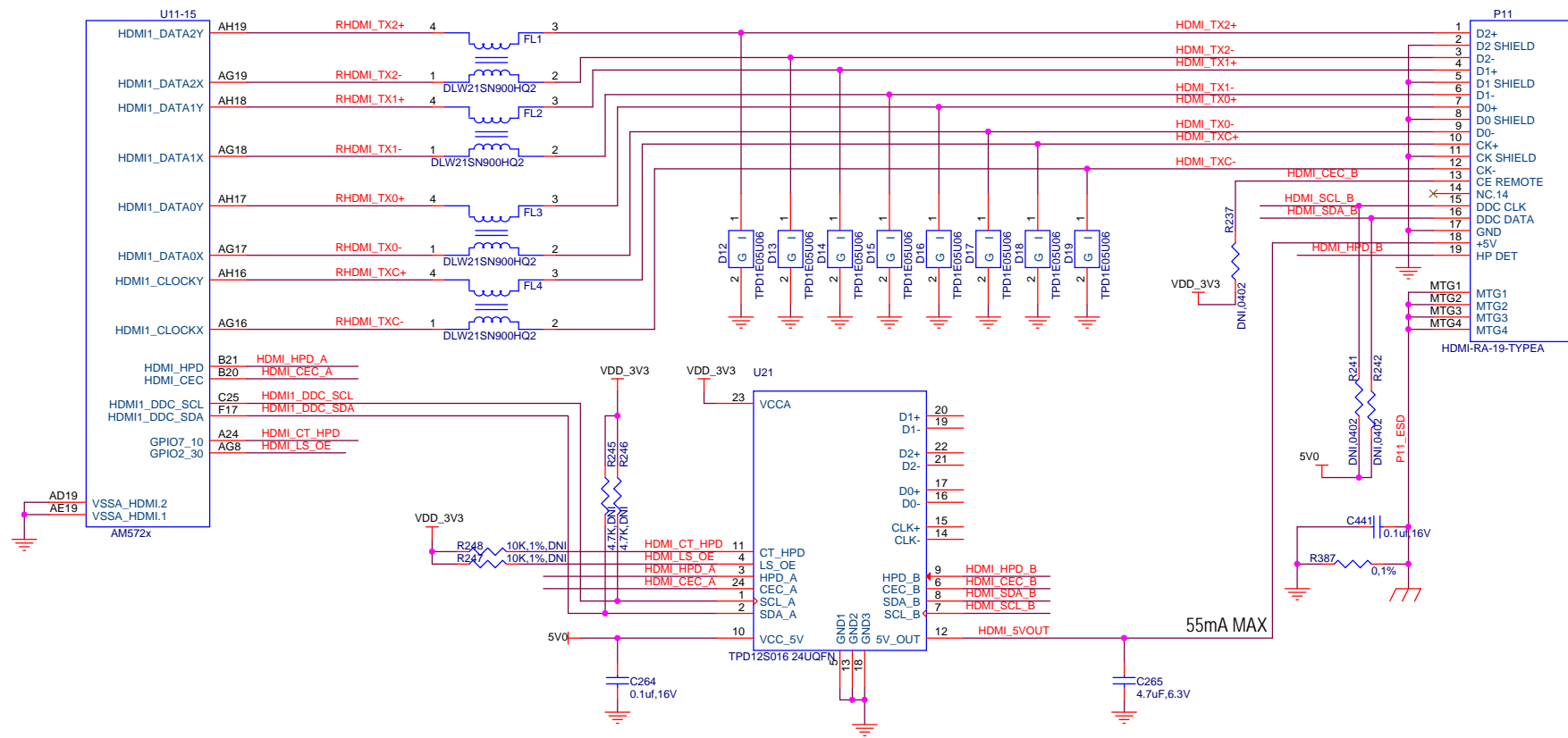
<b>Catalog Processors</b>	<b>Texas Instruments, Inc.</b>		
	Catalog Processors Business Unit 12500 TI Blvd Dallas, TX 75243		
	<b>AM572x General Purpose EVM Processor Module</b> I/O and LEDs		
Size	Document Number	Modified By:	Rev
B	am572x_gp_evm_REV_A3a.dsn	TI Applications	A3a
Date: Tuesday, July 12, 2016		Sheet: 15 of 27	



VDD\_3V3 | ◇ VDD\_3V3 2,3,4,6,7,8,9,10,11,12,13,14,15,17,18,24,25,26,27

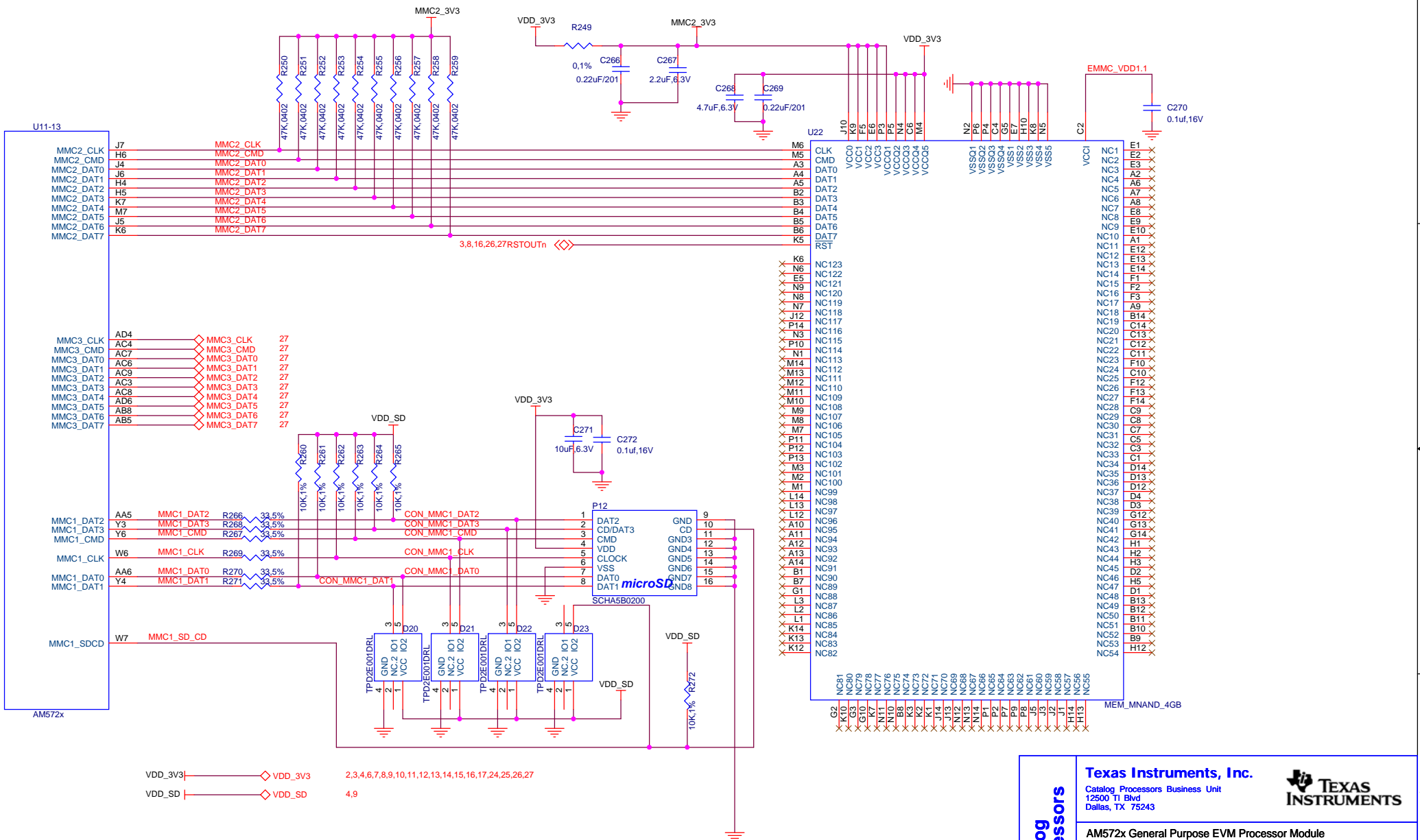
<b>Catalog Processors</b>	<b>Texas Instruments, Inc.</b>			
	Catalog Processors Business Unit 12500 TI Blvd Dallas, TX 75243			
	<b>AM572x General Purpose EVM Processor Module</b> Audio CODEC and Debug Port			
	Size	Document Number	Modified By:	Rev
B	am572x_gp_evm_REV_A3a.dsn	TI Applications	A3a	
Date: Tuesday, July 12, 2016		Sheet: 16 of 27		





5V0 → 5V0 2,4,15,27  
VDD\_3V3 → VDD\_3V3 2,3,4,6,7,8,9,10,11,12,13,14,15,16,18,24,25,26,27

<b>Catalog Processors</b>	<b>Texas Instruments, Inc.</b>		
	Catalog Processors Business Unit 12500 TI Blvd Dallas, TX 75243		
	<b>AM572x General Purpose EVM Processor Module</b>		
<b>HDMI Port</b>			
Size	Document Number	Modified By:	Rev
B	am572x_gp_evm_REV_A3a.dsn	TI Applications	A3a
Date: Tuesday, July 12, 2016		Sheet: 17 of 27	



VDD\_3V3 | VDD\_3V3 2,3,4,6,7,8,9,10,11,12,13,14,15,16,17,24,25,26,27  
 VDD\_SD | VDD\_SD 4,9

<b>Catalog Processors</b>	<b>Texas Instruments, Inc.</b>		
	Catalog Processors Business Unit 12500 TI Blvd Dallas, TX 75243		
	<b>AM572x General Purpose EVM Processor Module</b> eMMC and microSD		
Size	Document Number	Modified By:	Rev
B	am572x_gp_evm_REV_A3a.dsn	TI Applications	A3a
Date: Tuesday, July 12, 2016		Sheet: 18 of 27	

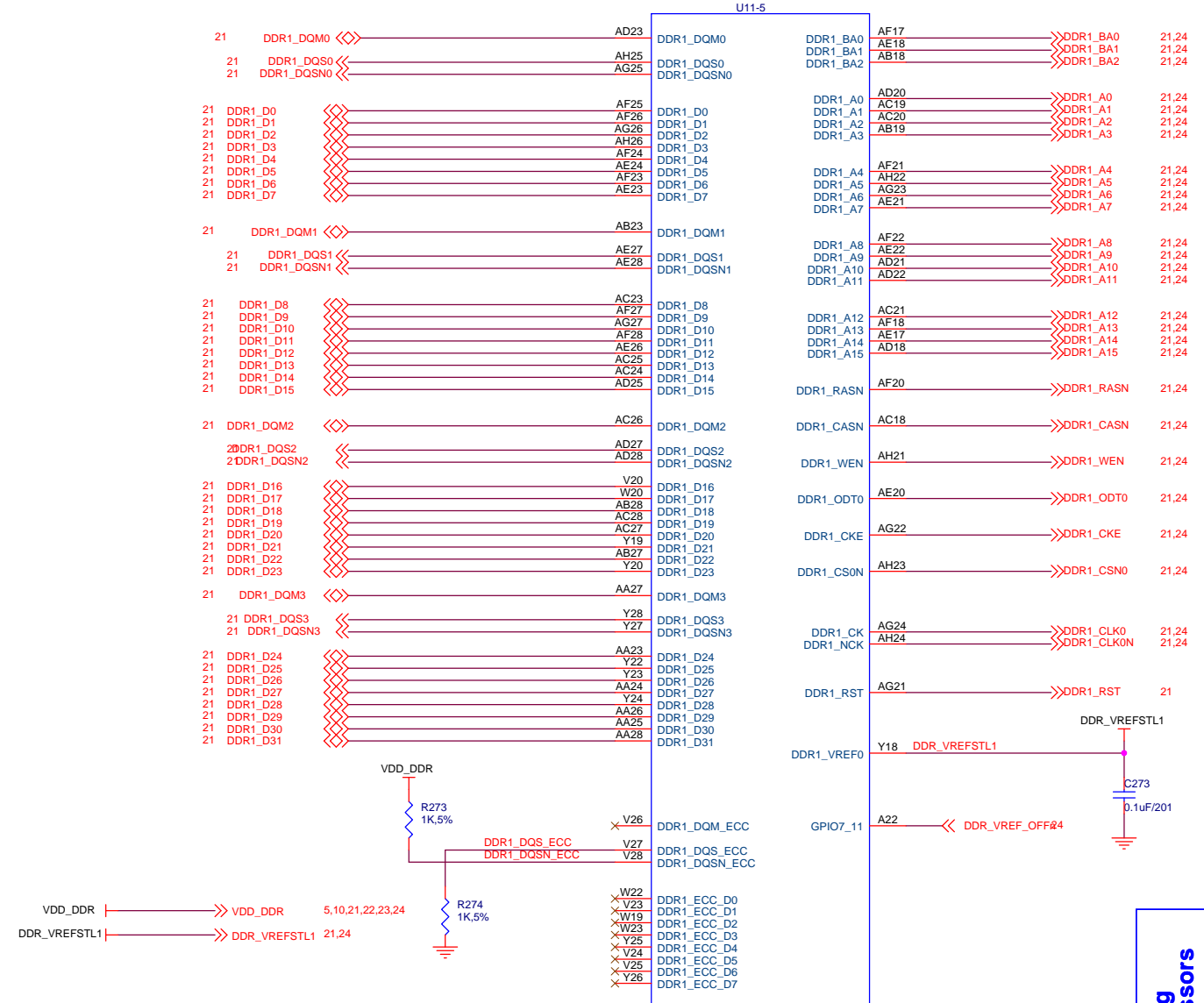


**Texas Instruments, Inc.**  
 Catalog Processors Business Unit  
 12500 TI Blvd  
 Dallas, TX 75243

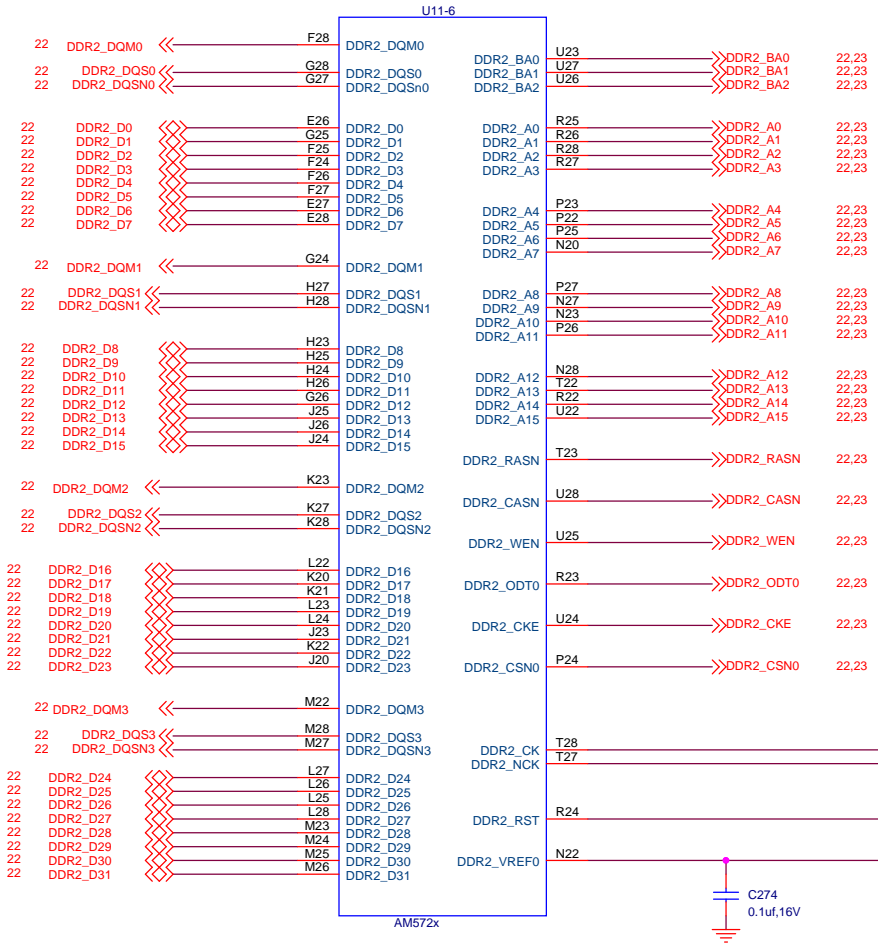
**AM572x General Purpose EVM Processor Module**  
 eMMC and microSD

Size	Document Number	Modified By:	Rev
B	am572x_gp_evm_REV_A3a.dsn	TI Applications	A3a

Date: Tuesday, July 12, 2016      Sheet: 18 of 27

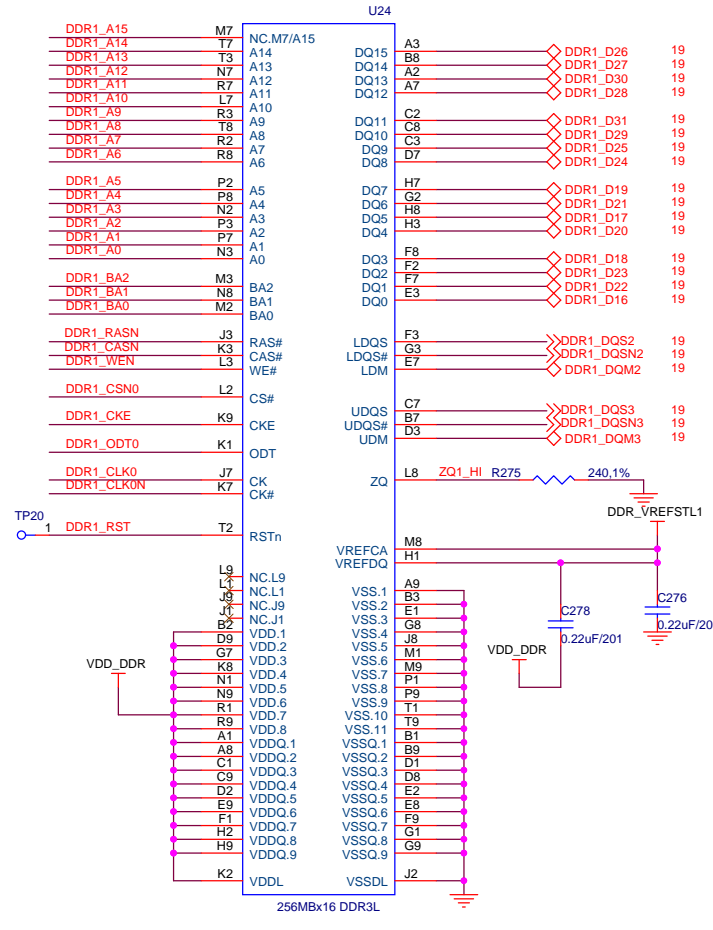
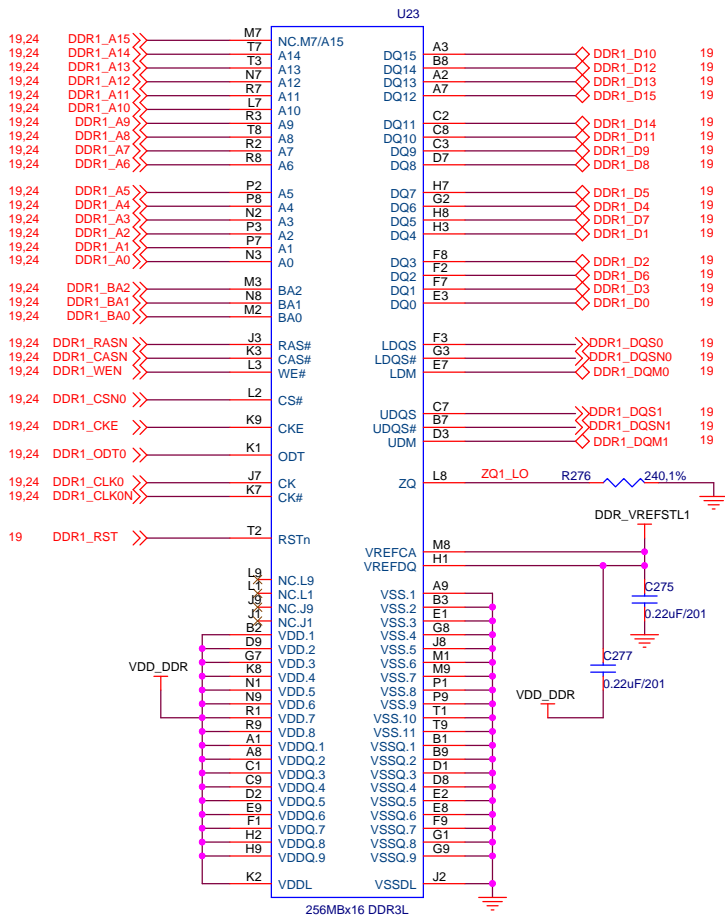


<b>Catalog Processors</b>	<b>Texas Instruments, Inc.</b>		
	Catalog Processors Business Unit 12500 TI Blvd Dallas, TX 75243		
	<b>AM572x General Purpose EVM Processor Module</b> AM572x DDR3 Interface 1		
Size	Document Number	Modified By:	Rev
B	am572x_gp_ewm_REV_A3a.dsn	TI Applications	A3a
Date: Tuesday, July 12, 2016		Sheet: 19 of 27	



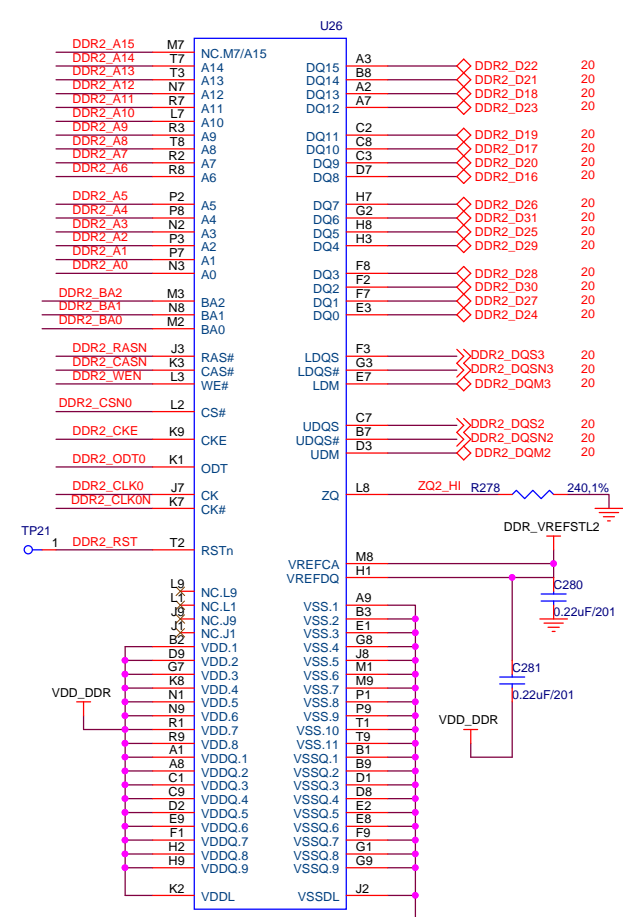
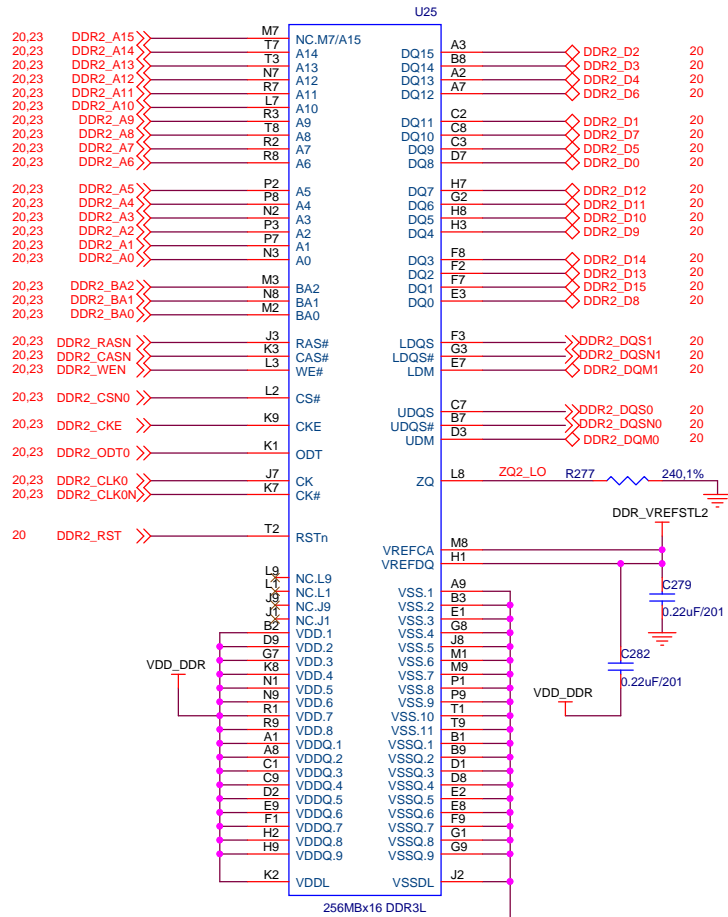
DDR\_VREFSTL2 |—————>>> DDR\_VREFSTL2 20,22,24

<b>Catalog Processors</b>	<b>Texas Instruments, Inc.</b>			
	Catalog Processors Business Unit 12500 TI Blvd Dallas, TX 75243			
	<b>AM572x General Purpose EVM Processor Module</b> AM572x DDR3 Interface 2			
<b>Size</b>	<b>Document Number</b>	<b>Modified By:</b>	<b>Rev</b>	
B	am572x_gp_ewm_REV_A3a.dsn	TI Applications	A3a	
<b>Date:</b> Tuesday, July 12, 2016		<b>Sheet:</b> 20 of 27		



VTT	◇ VTT	23.24
DDR_VREFSTL1	◇◇ DDR_VREFSTL1	19.24
VDD_DDR	◇ VDD_DDR	5,10,19,22,23,24

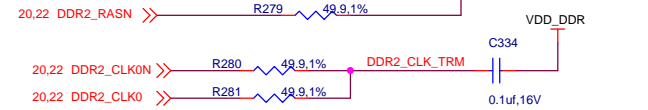
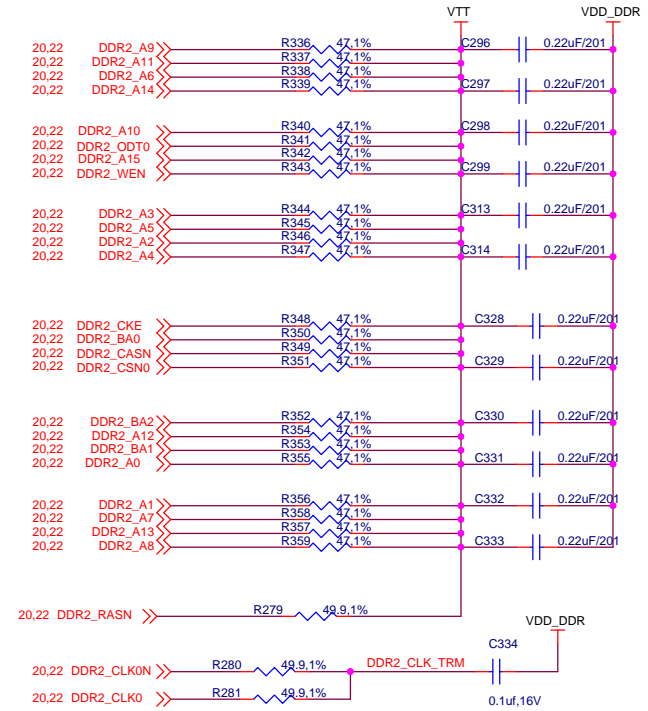
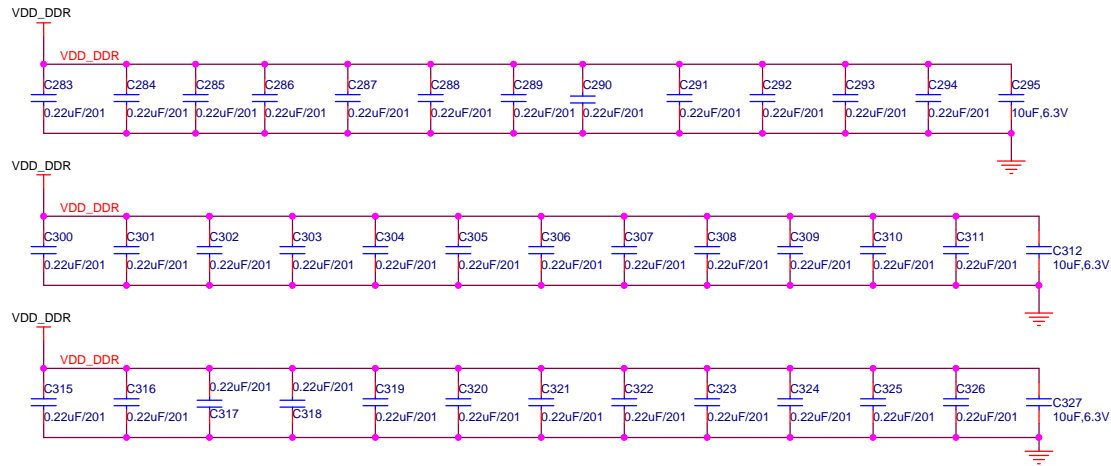
<b>Catalog Processors</b>	<b>Texas Instruments, Inc.</b>			
	Catalog Processors Business Unit 12500 TI Blvd Dallas, TX 75243			
	<b>AM572x General Purpose EVM Processor Module</b>			
	<b>DDR3 Bank 1</b>			
Size	Document Number	Modified By:	Rev	
B	am572x_gp_ewm_REV_A3a.dsn	TI Applications	A3a	
Date: Tuesday, July 12, 2016		Sheet: 21 of 27		



VDD\_DDR |-----◇----- VDD\_DDR 5,10,19,21,23,24

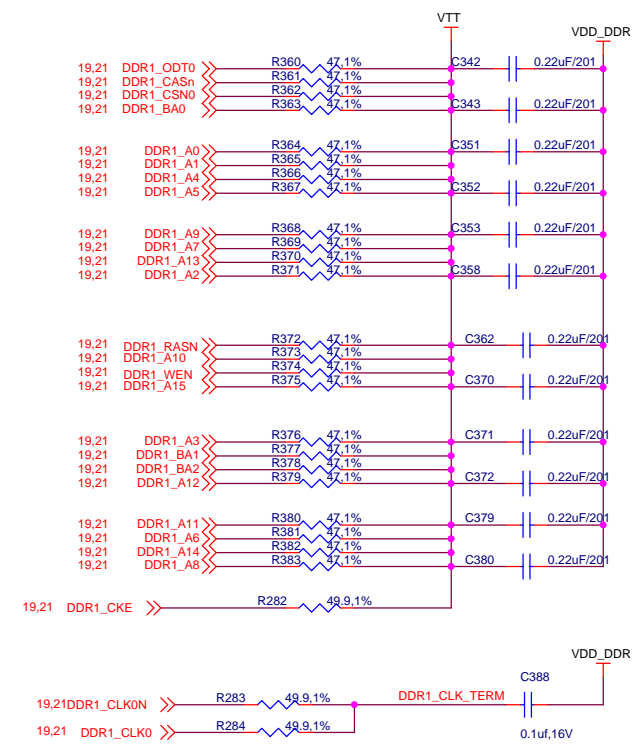
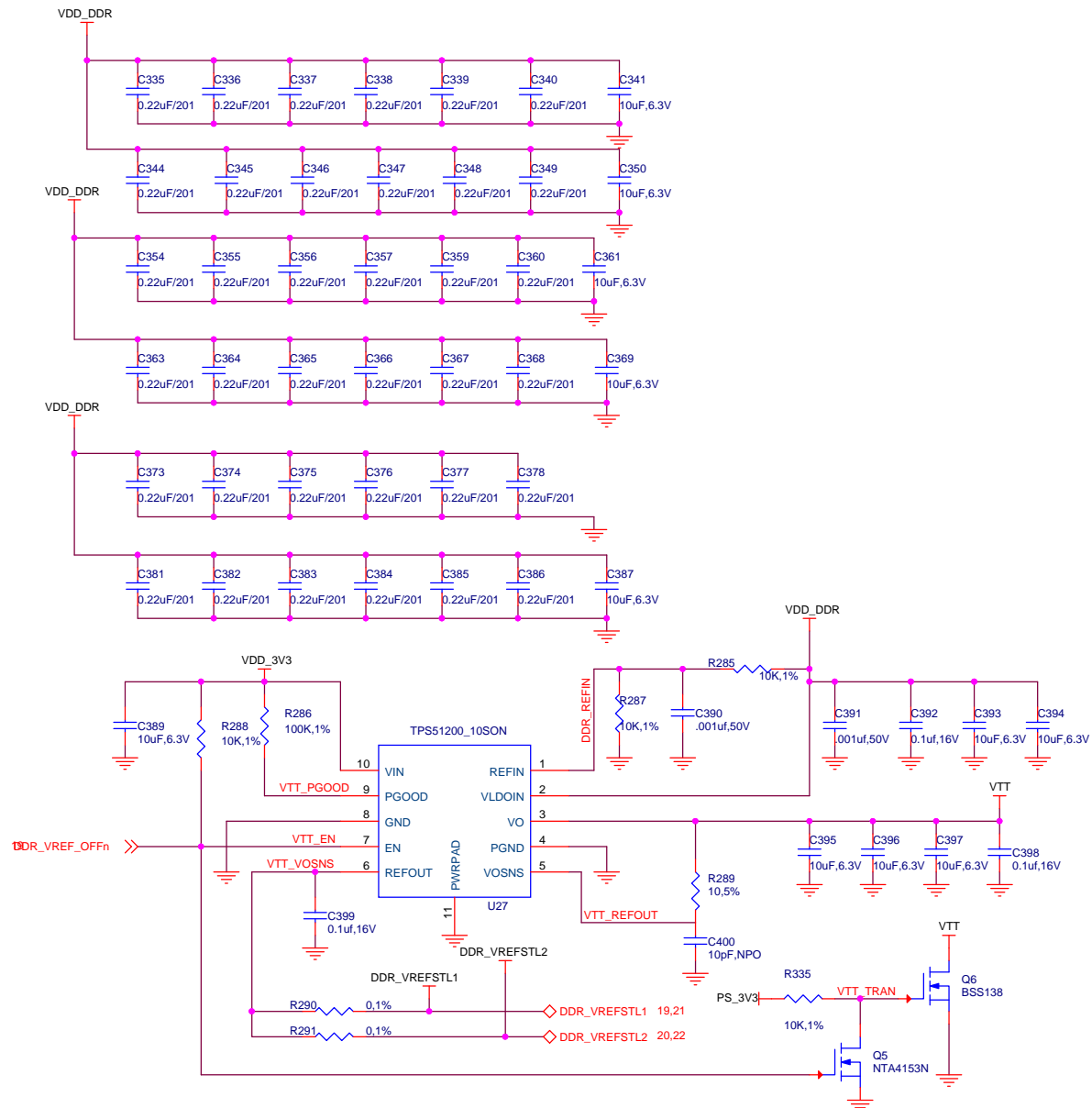
DDR\_VREFSTL2 |-----◇----- DDR\_VREFSTL2 20,24

<b>Catalog Processors</b>	<b>Texas Instruments, Inc.</b>			
	Catalog Processors Business Unit 12500 TI Blvd Dallas, TX 75243			
	<b>AM572x General Purpose EVM Processor Module</b> DDR3 Bank 2			
Size	Document Number	Modified By:	Rev	
B	am572x_gp_ewm_REV_A3a.dsn	TI Applications	A3a	
Date: Tuesday, July 12, 2016		Sheet: 22 of 27		



VDD\_DDR | ◇ VDD\_DDR 5,10,19,21,22,24  
 VTT | ◇ VTT 24

<b>Catalog Processors</b>	<b>Texas Instruments, Inc.</b>			
	Catalog Processors Business Unit 12500 TI Blvd Dallas, TX 75243			
	<b>AM572x General Purpose EVM Processor Module</b> DDR3 BANK 2 CAPS AND TERMINATIONS			
Size	Document Number	Modified By:	Rev	
B	am572x_gp_evm_REV_A3a.dsn	TI Applications	A3a	
Date: Tuesday, July 12, 2016		Sheet: 23 of 27		

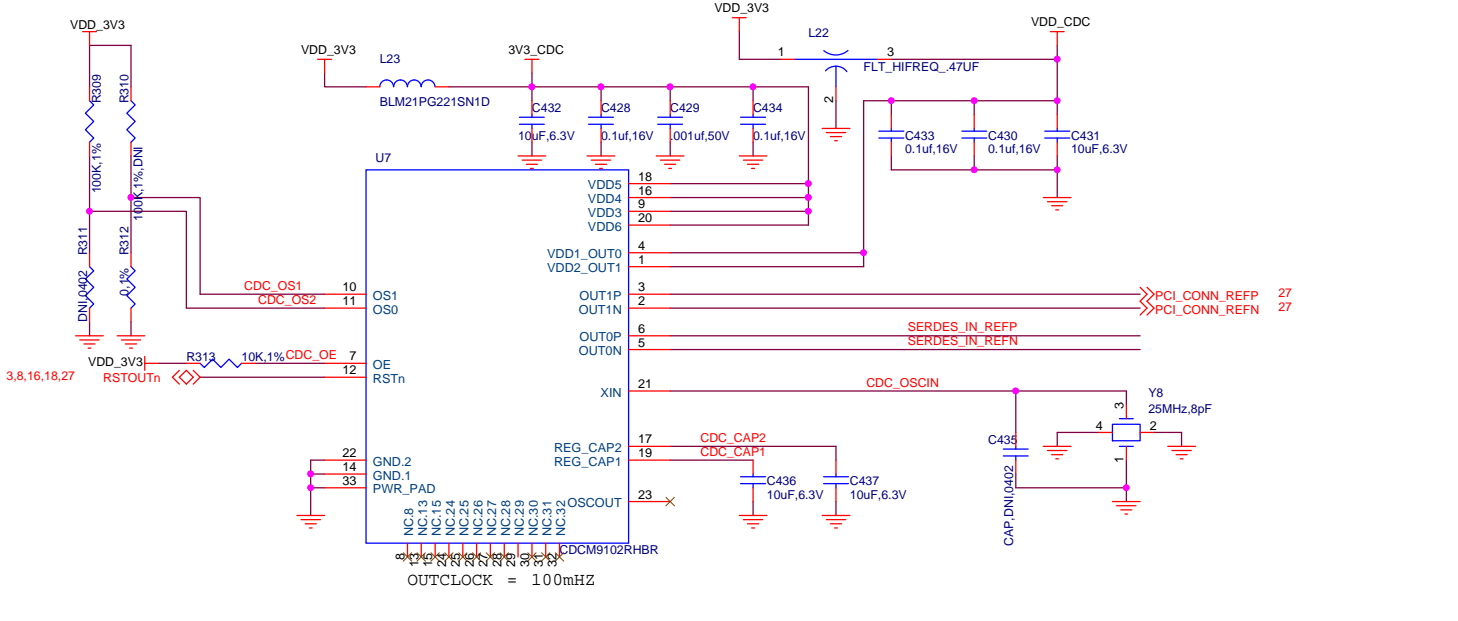
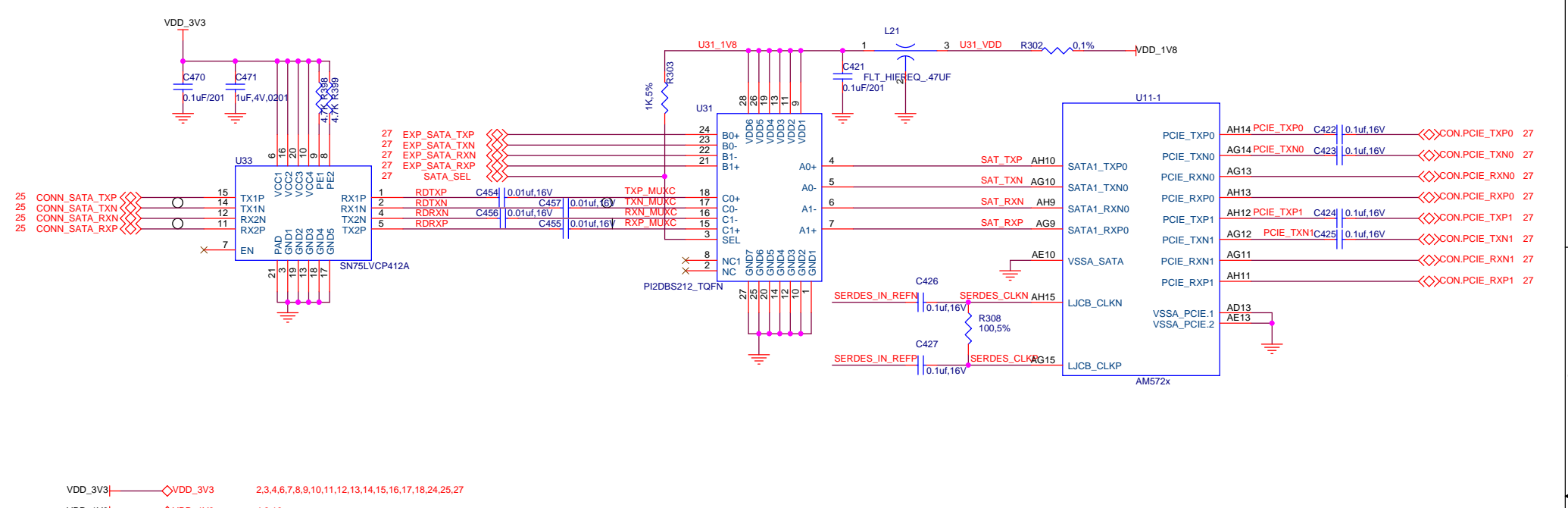


PS_3V3	PS_3V3	2,3,4,5,6,8
VDD_DDR	VDD_DDR	5,10,19,21,22,23
VTT	VTT	23
VDD_3V3	VDD_3V3	2,3,4,6,7,8,9,10,11,12,13,14,15,16,17,18,25,26,27

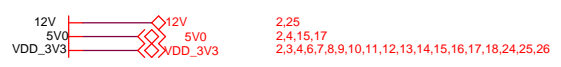
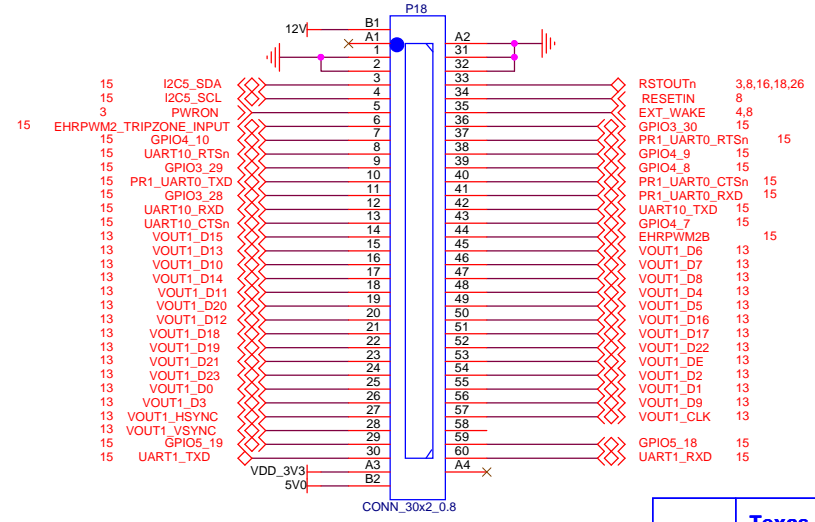
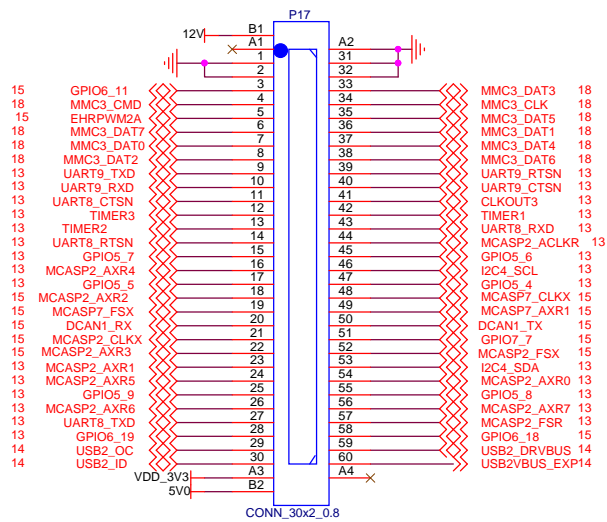
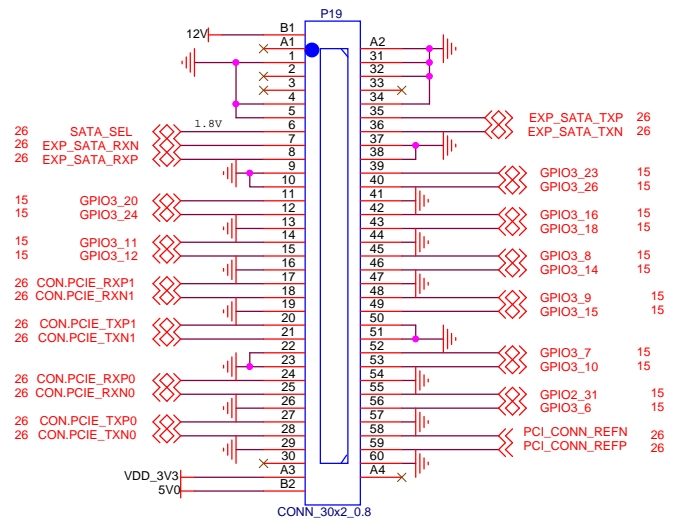
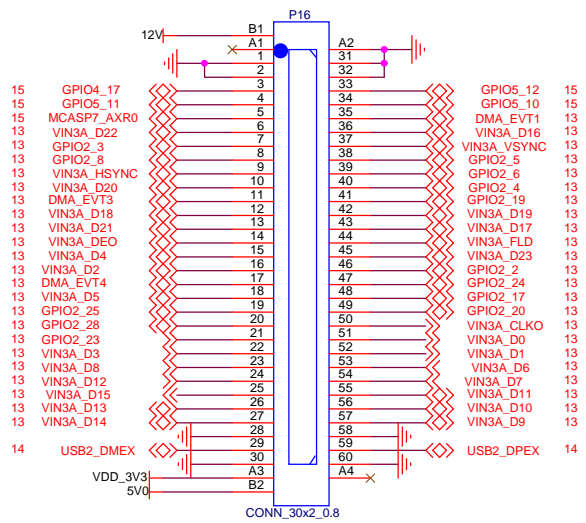
<b>Catalog Processors</b>	<b>Texas Instruments, Inc.</b>		
	Catalog Processors Business Unit 12500 TI Blvd Dallas, TX 75243		
	<b>AM572x General Purpose EVM Processor Module</b> DDR3 BANK 1 CAPS AND TERMINATIONS		
	Size B	Document Number am572x_gp_evm_REV_A3a.dsn	Modified By TI Applications
Date: Tuesday, July 12, 2016		Sheet: 24 of 27	







<b>Catalog Processors</b>	<b>Texas Instruments, Inc.</b>		
	Catalog Processors Business Unit 12500 TI Blvd Dallas, TX 75243		
	<b>AM572x General Purpose EVM Processor Module</b>		
	SERDES CLOCK, SATA, AND PCIe		
Size	Document Number	Modified By:	Rev
B	am572x_gp_evm_REV_A3a.dsn	TI Applications	A3a
Date: Tuesday, July 12, 2016		Sheet: 26 of 27	



<b>Catalog Processors</b>	<b>Texas Instruments, Inc.</b>		
	Catalog Processors Business Unit 12500 TI Blvd Dallas, TX 75243		
	<b>AM572x General Purpose EVM Processor Module</b>		
	SERDES CLOCK, SATA, AND PCIe		
Size	Document Number	Modified By:	Rev
B	am572x_gp_evm_REV_A3a.dsn	TI Applications	A3a
Date:	Tuesday, July 12, 2016	Sheet:	27 of 27