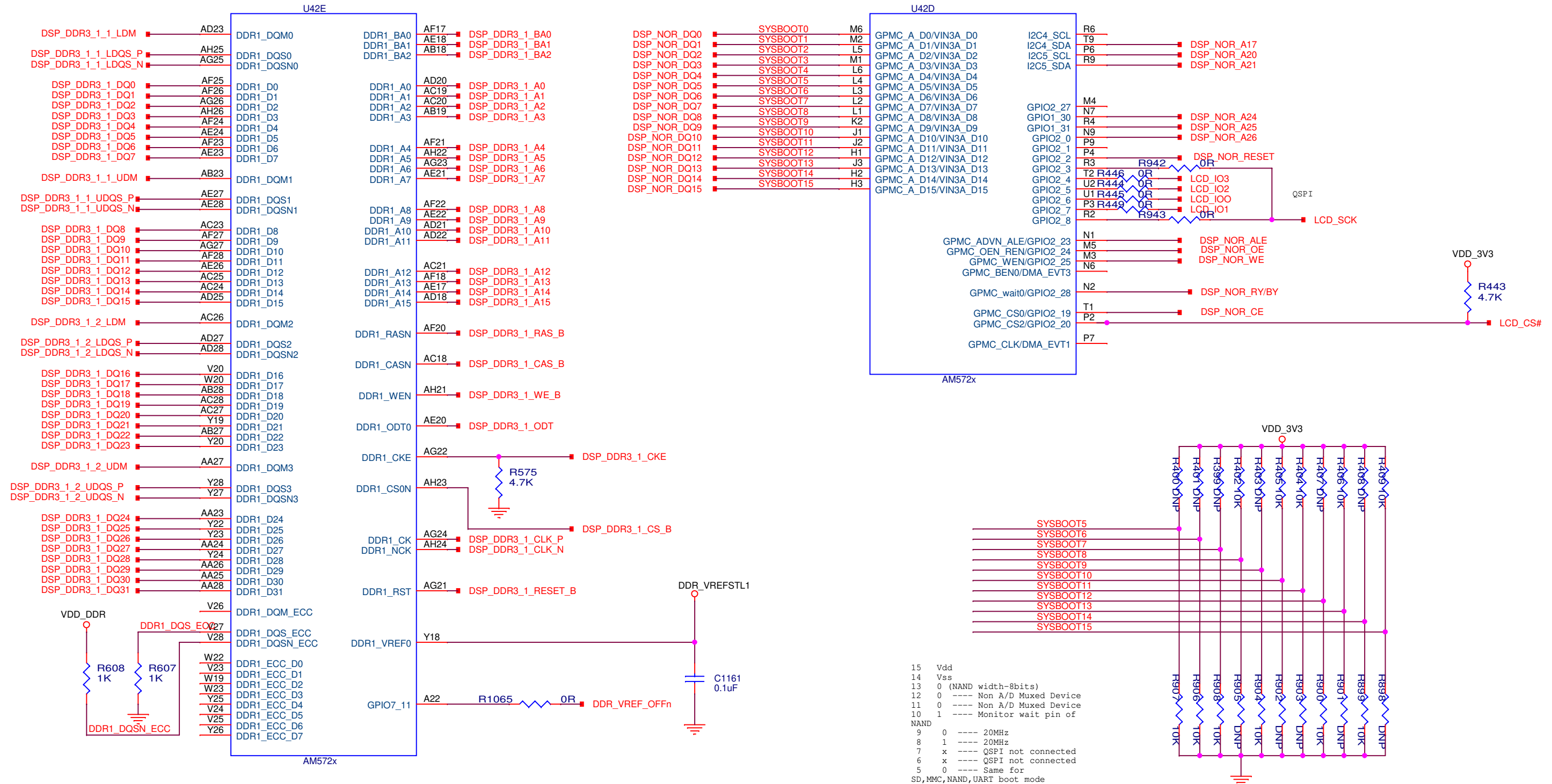
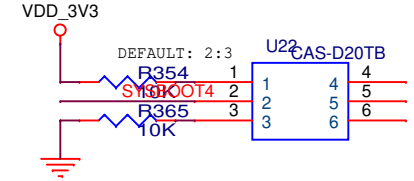
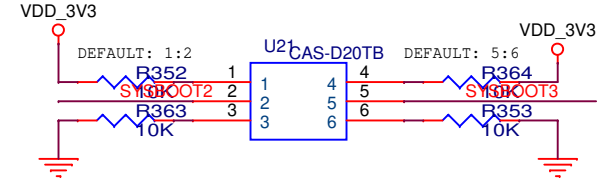
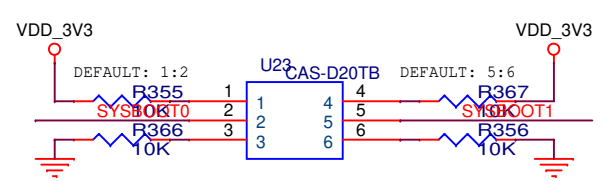


Processor-AM5728

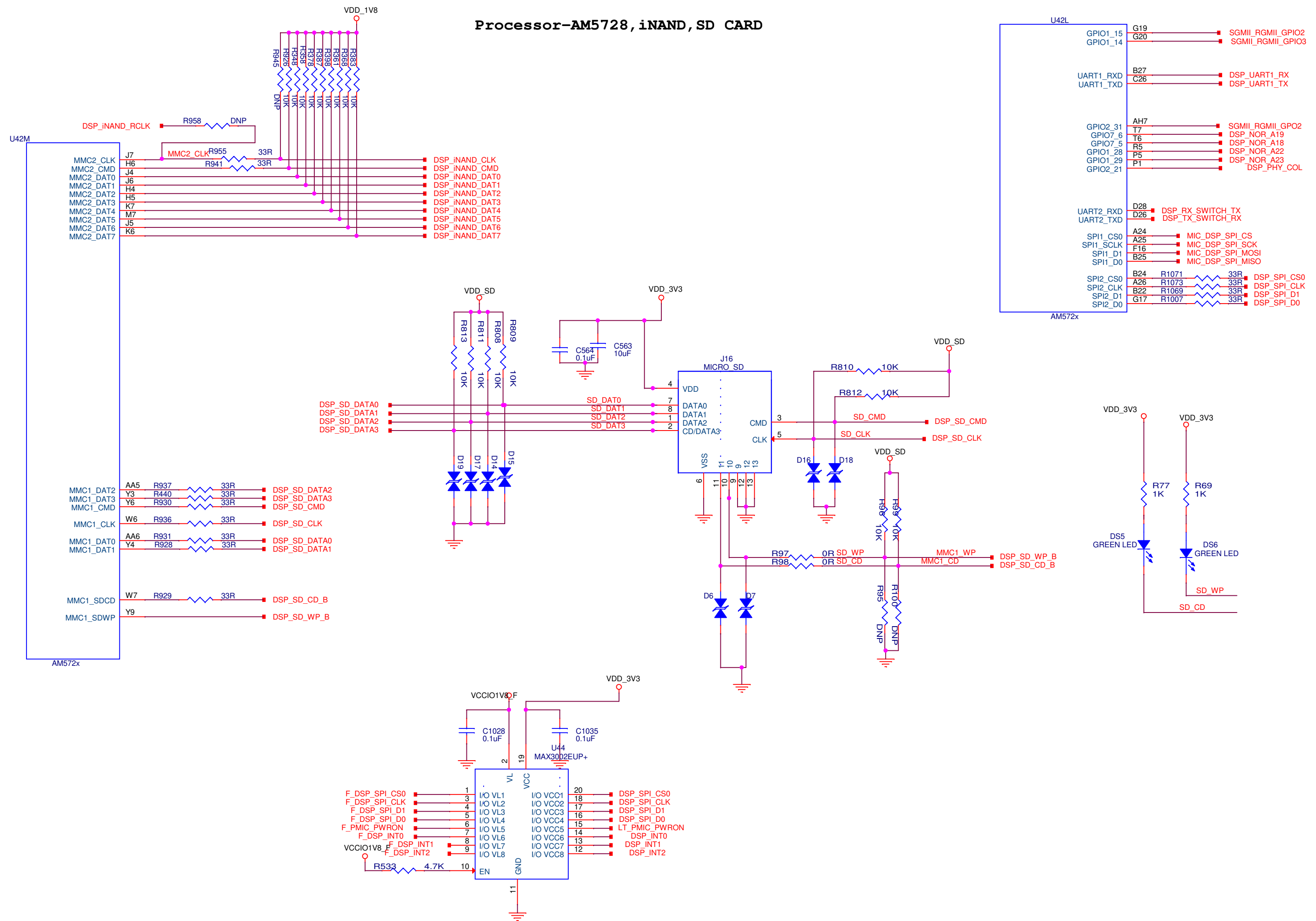


15	Vdd
14	Vss
13	0 (NAND width-8bits)
12	0 ---- Non A/D Muxed Device
11	0 ---- Non A/D Muxed Device
10	1 ---- Monitor wait pin of
NAND	
9	0 ---- 20MHz
8	1 ---- 20MHz
7	x ---- QSPI not connected
6	x ---- QSPI not connected
5	0 ---- Same for

SD, MMC, NAND, UART boot mode



Processor-AM5728, iNAND, SD CARD



NOR FLASH, iNAND and Latch

