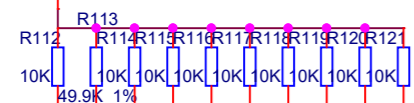
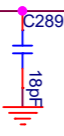


+3.3V\_EMMC

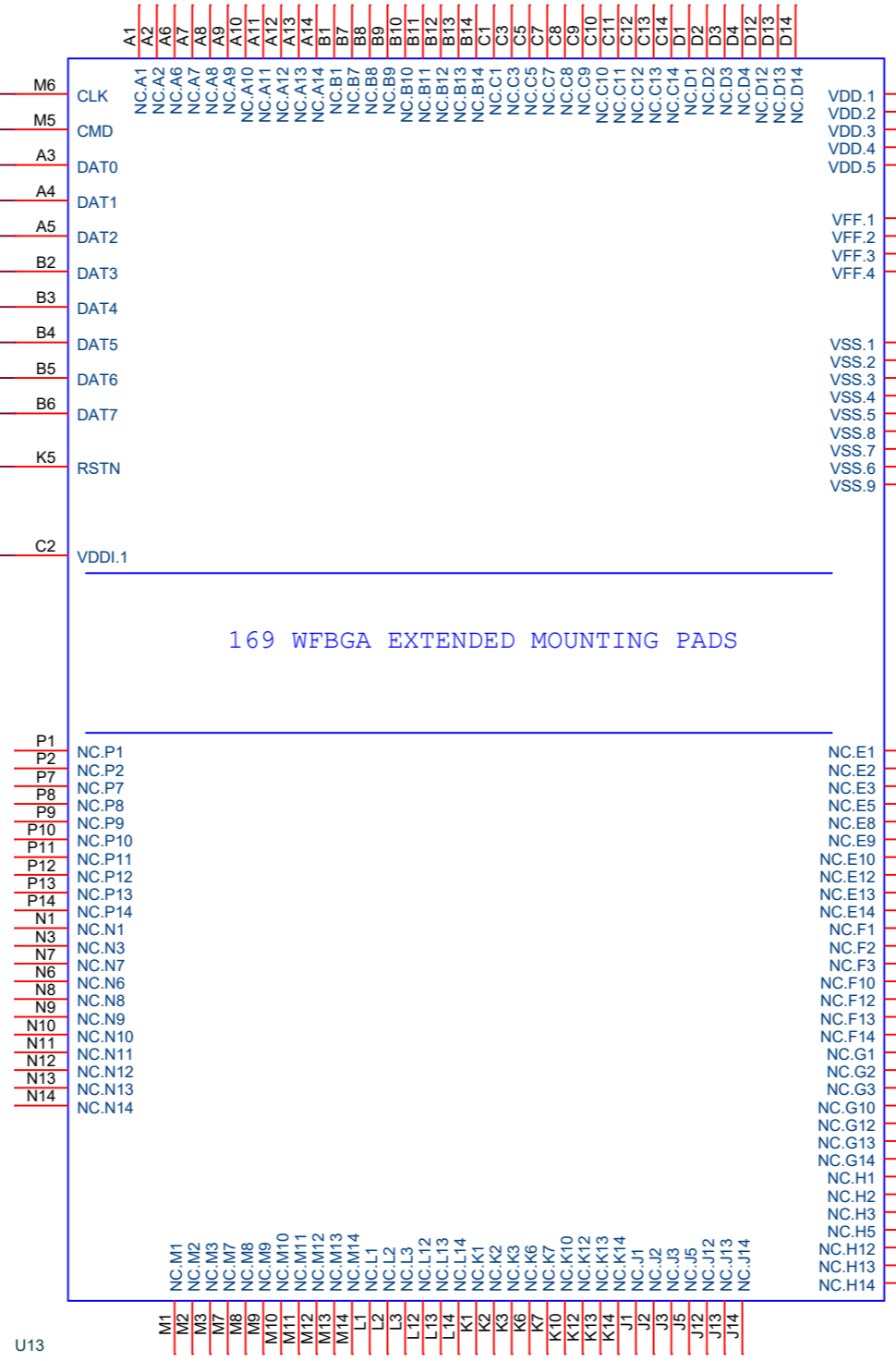
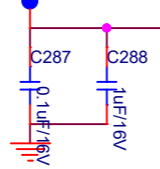


- 19 EMMC\_CLK
- 19 EMMC\_CMD
- 19 EMMC\_DATA0
- 19 EMMC\_DATA1
- 19 EMMC\_DATA2
- 19 EMMC\_DATA3
- 19 EMMC\_DATA4
- 19 EMMC\_DATA5
- 19 EMMC\_DATA6
- 19 EMMC\_DATA7

4,5,10,29 J6\_RESETOUT

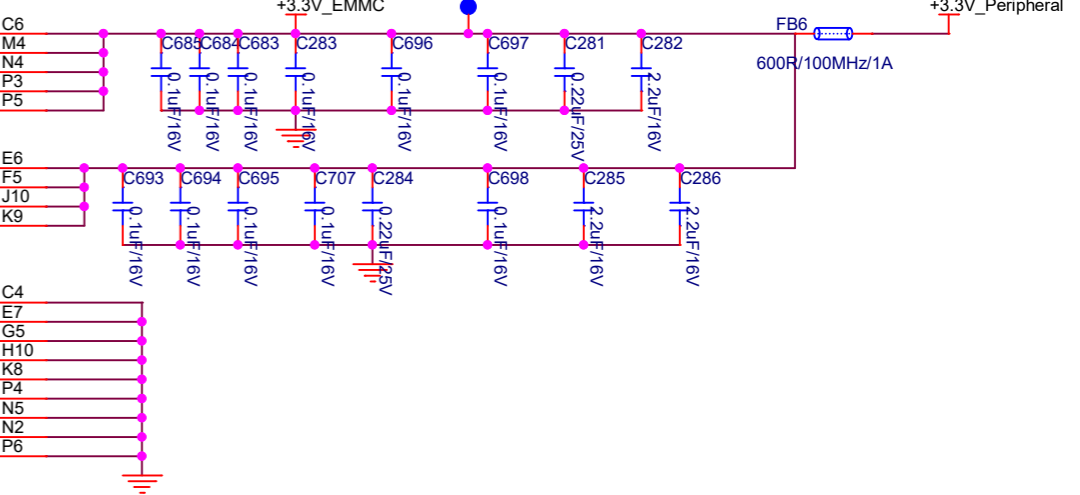


TP409

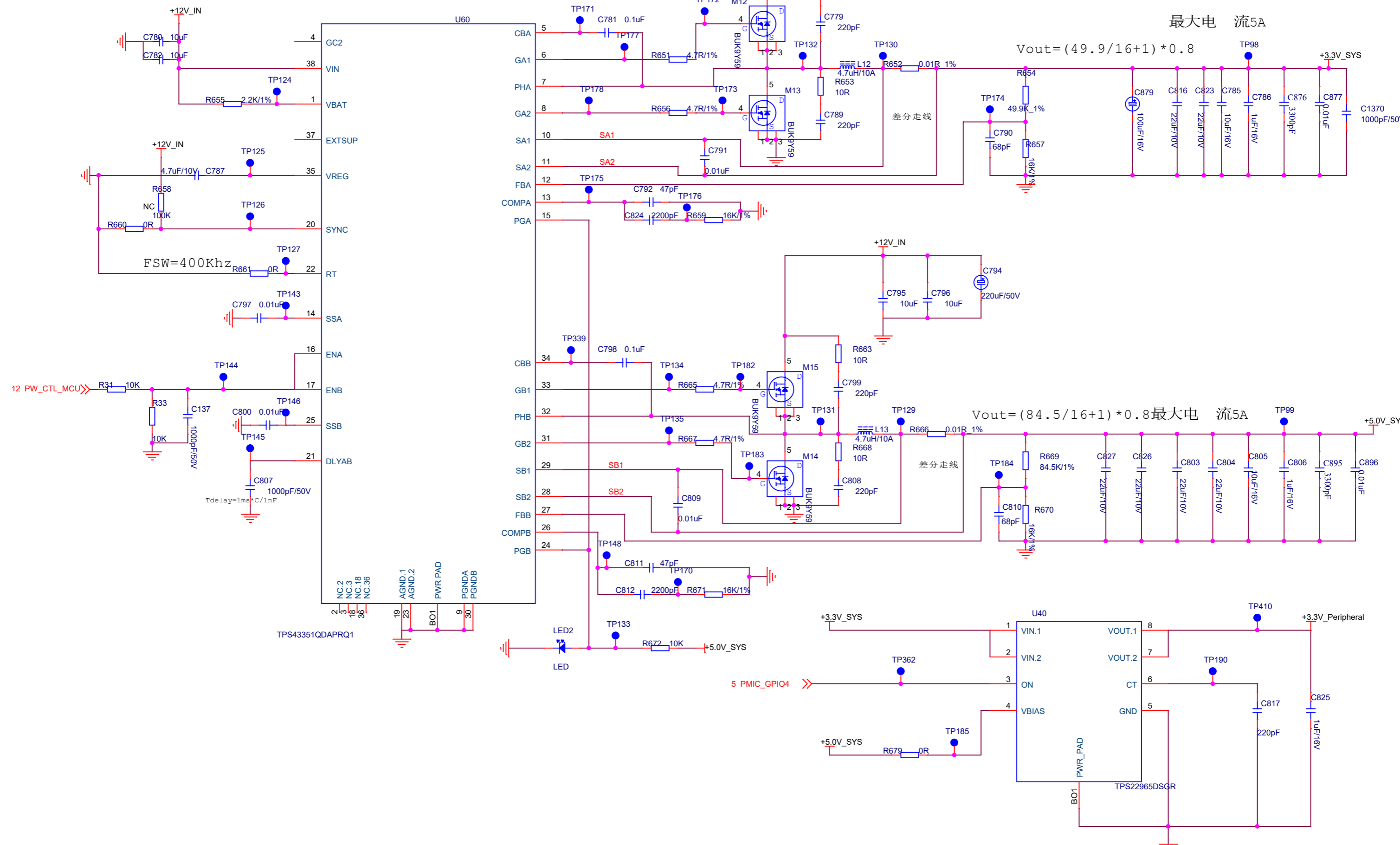


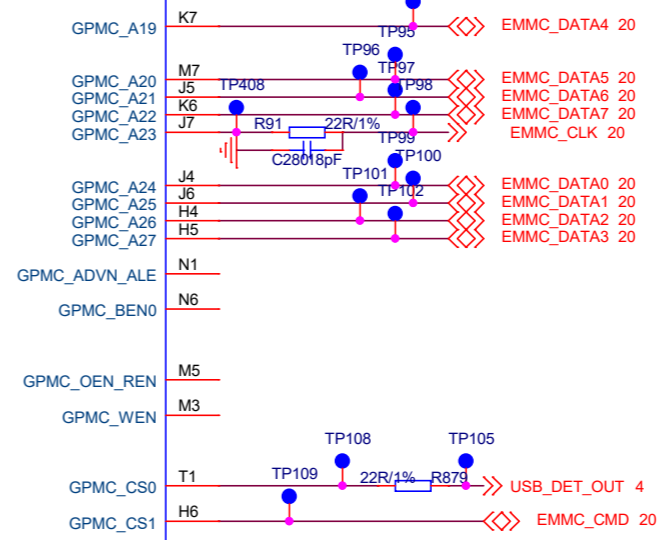
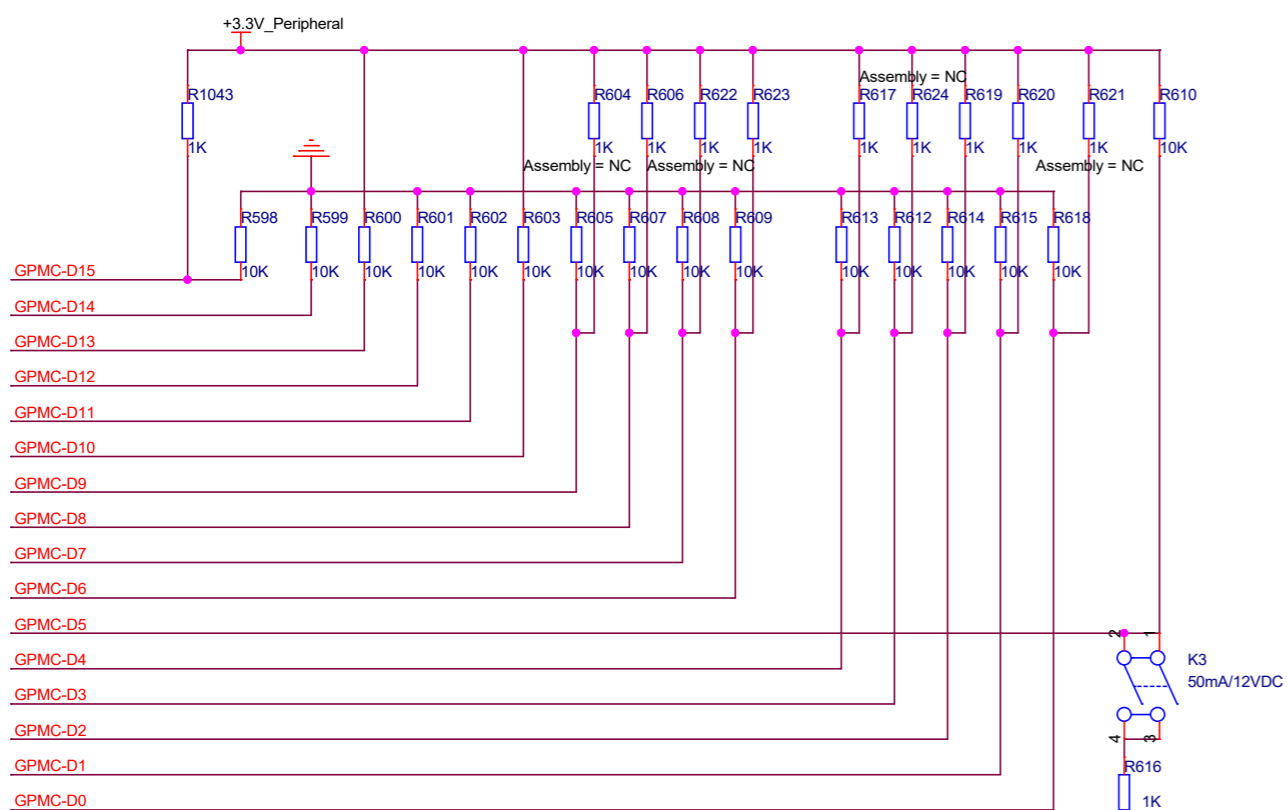
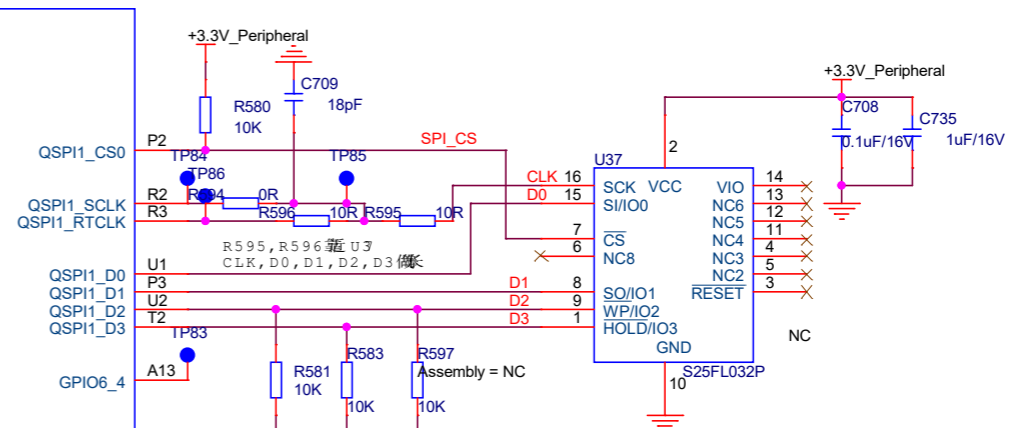
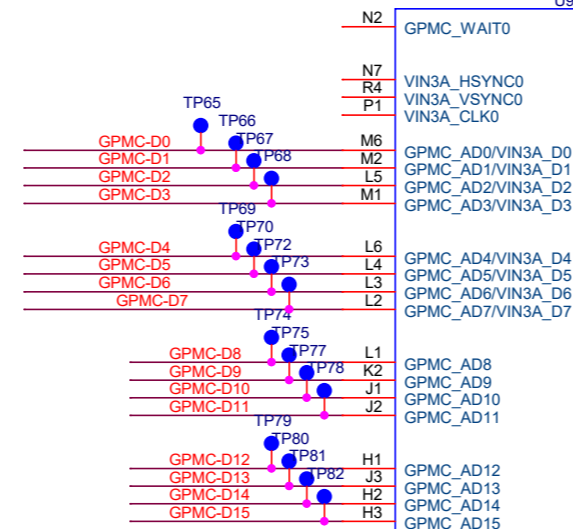
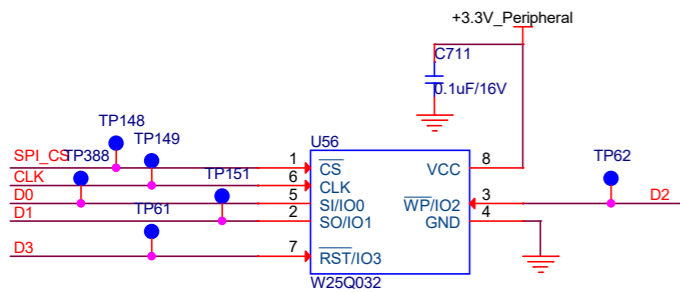
+3.3V\_EMMC

TP121



+3.3V\_Peripheral





SYS BOOT CONFIG  
BOOT FROM QSPI FLASH

