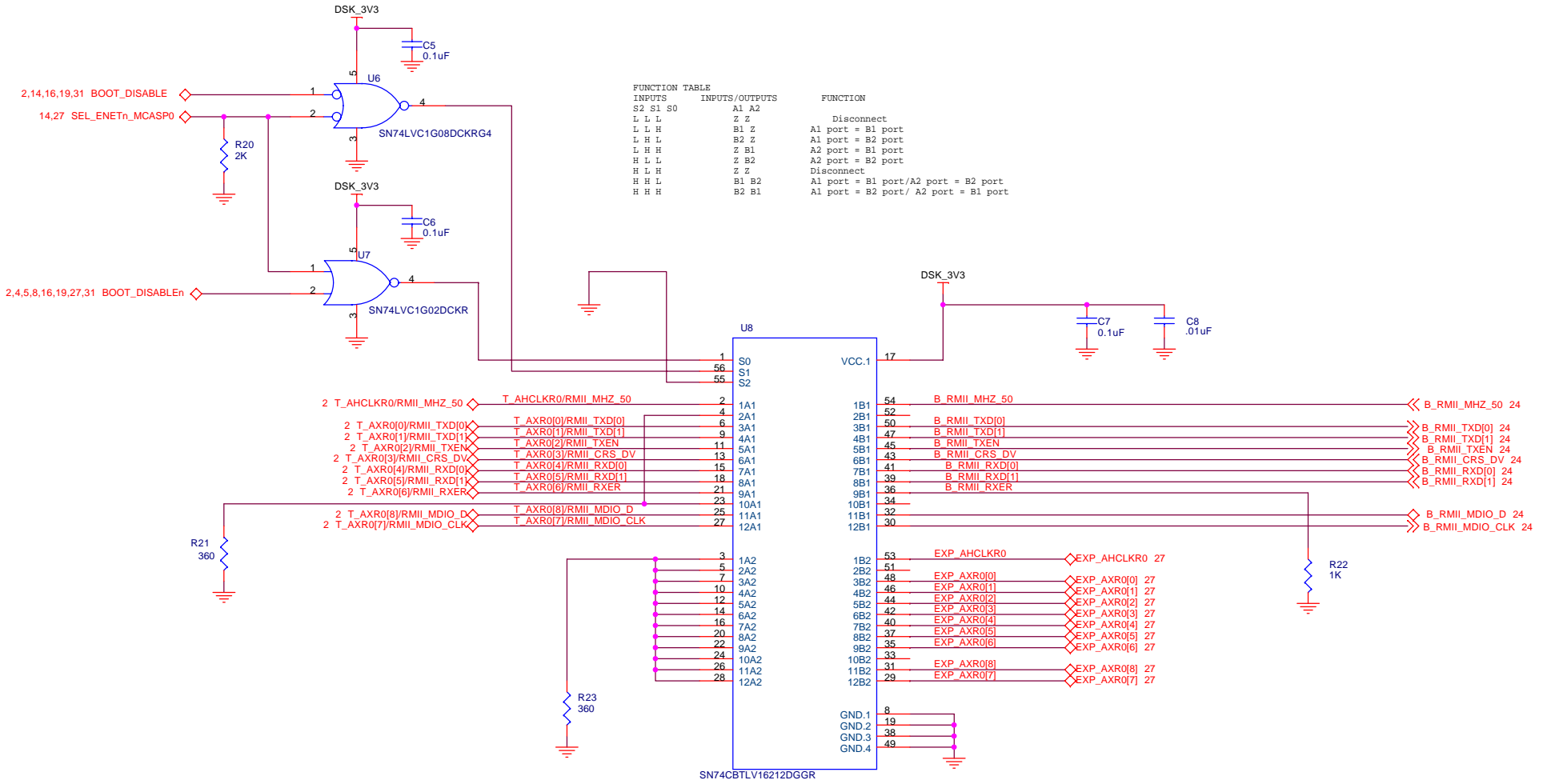
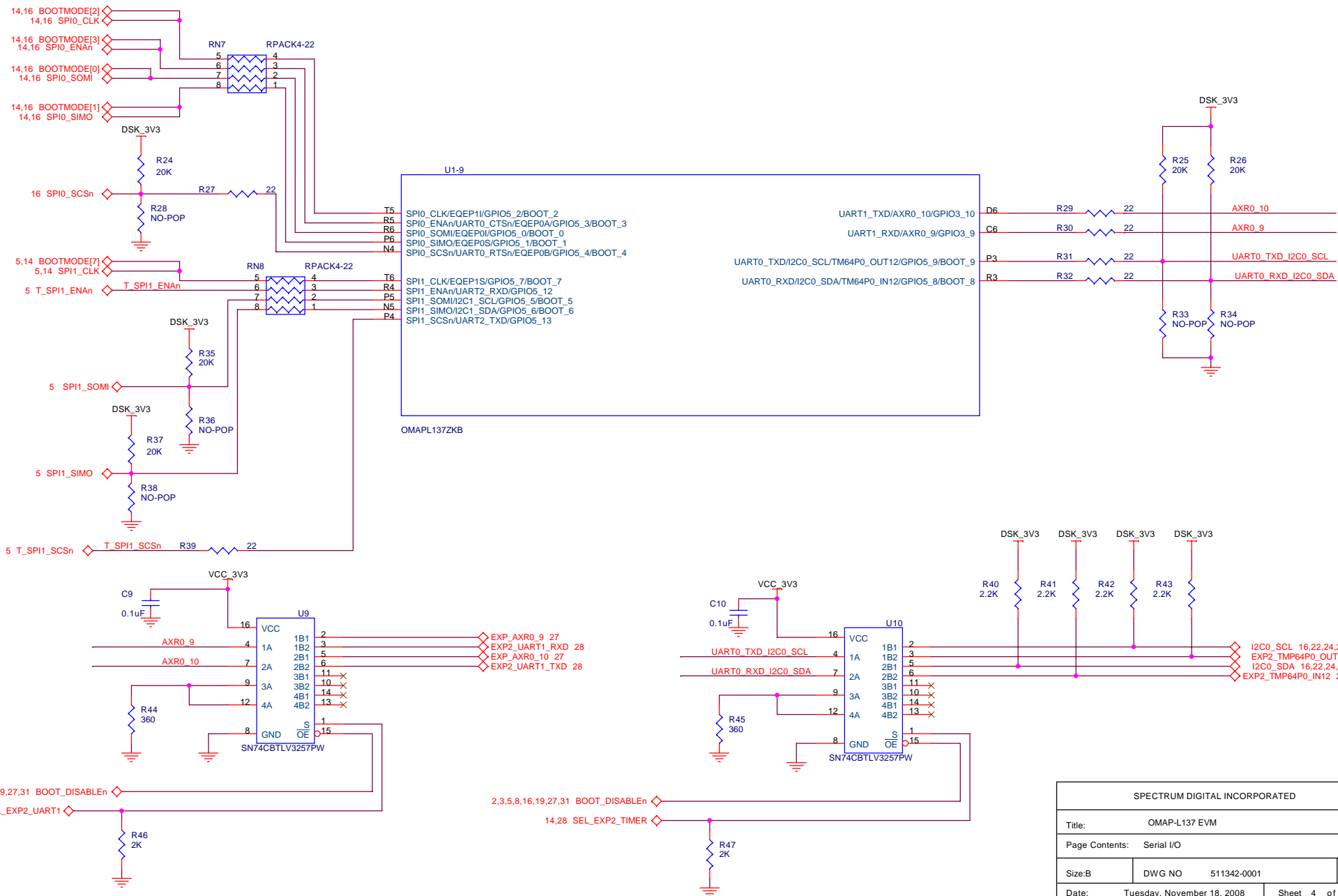


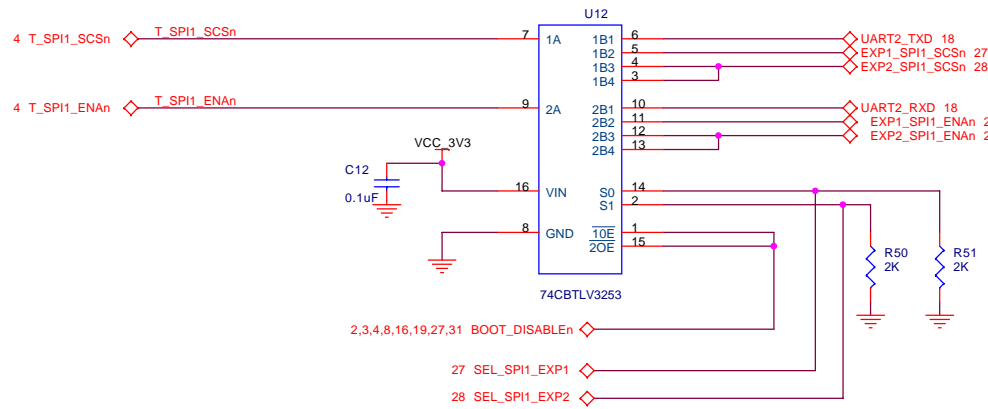
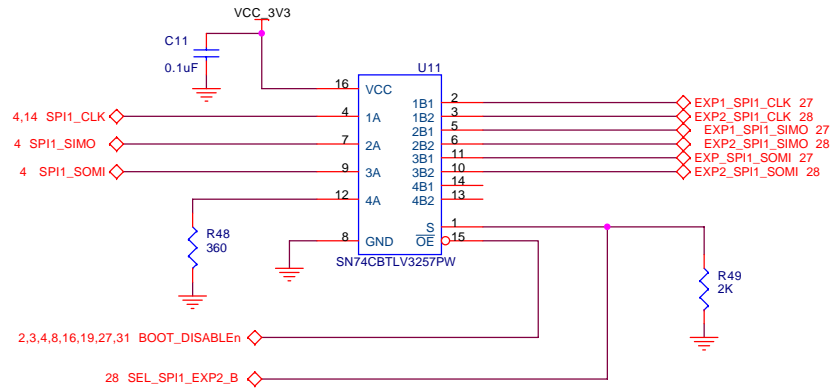
MCLK: AHCLKX1 (drive this clock into McASP)
 BCLK: ACLKX1 (McASP will drive this into the AIC)
 WCLK: AFSX1 (McASP will drive this into the AIC)
 DIN: AXR1[5] (McASP)
 DOUT: AXR1[0] (McASP)
 McASP generates the Tx bit and frame clocks.
 Configure McASP such that the Rx section operates off of the Tx section clocks.

SPECTRUM DIGITAL INCORPORATED			
Title: OMAP-L137 EVM			
Page Contents: McASP/Ethernet MAC			
Size: B	DWG NO	511342-0001	Revision: A
Date:	Tuesday, November 18, 2008	Sheet 2 of	32

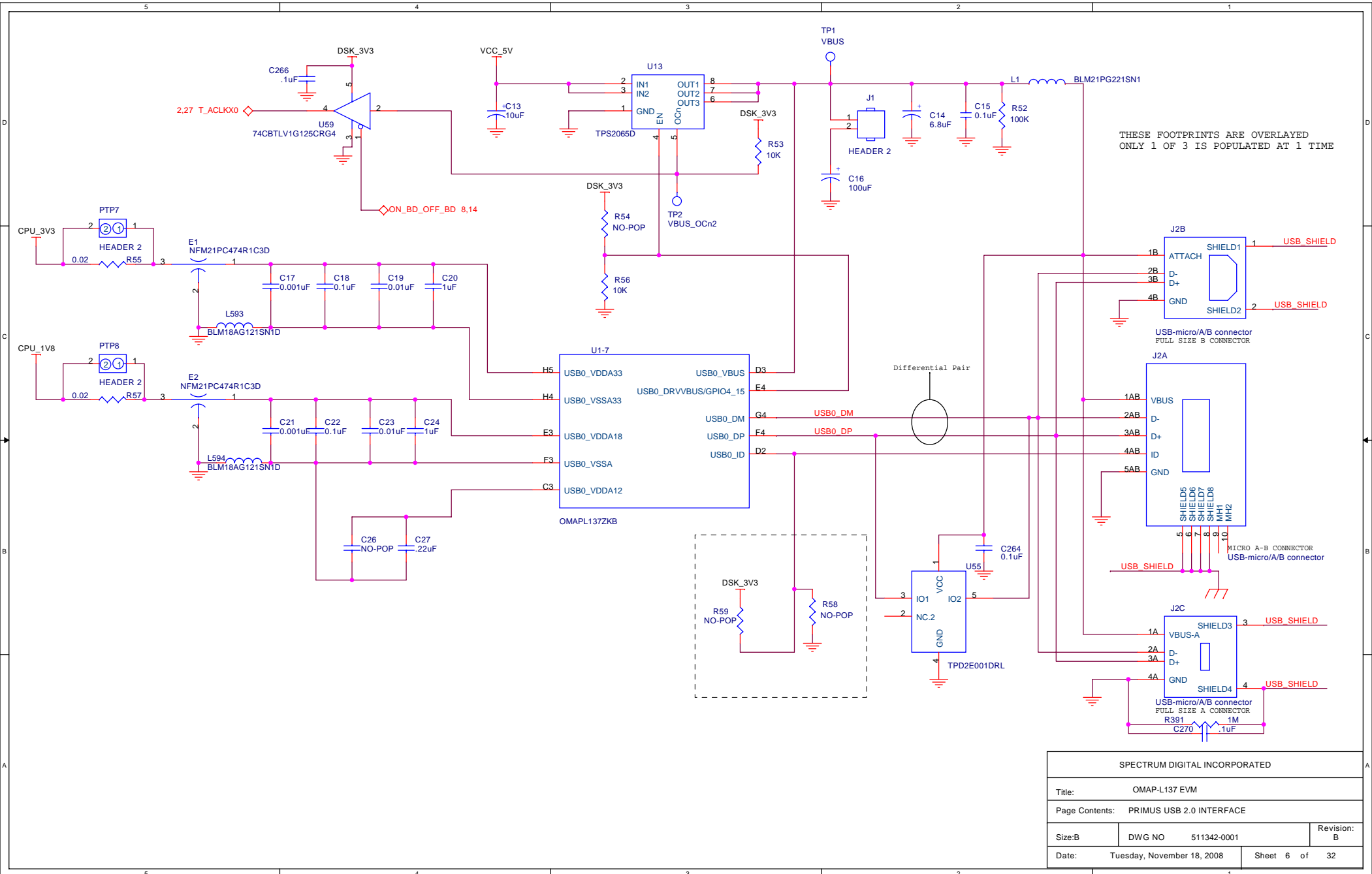




SPECTRUM DIGITAL INCORPORATED			
Title: OMAP-L137 EVM			
Page Contents: Serial I/O			
Size: B	DWG NO	511342-0001	Revision: A
Date:	Tuesday, November 18, 2008	Sheet 4 of	32

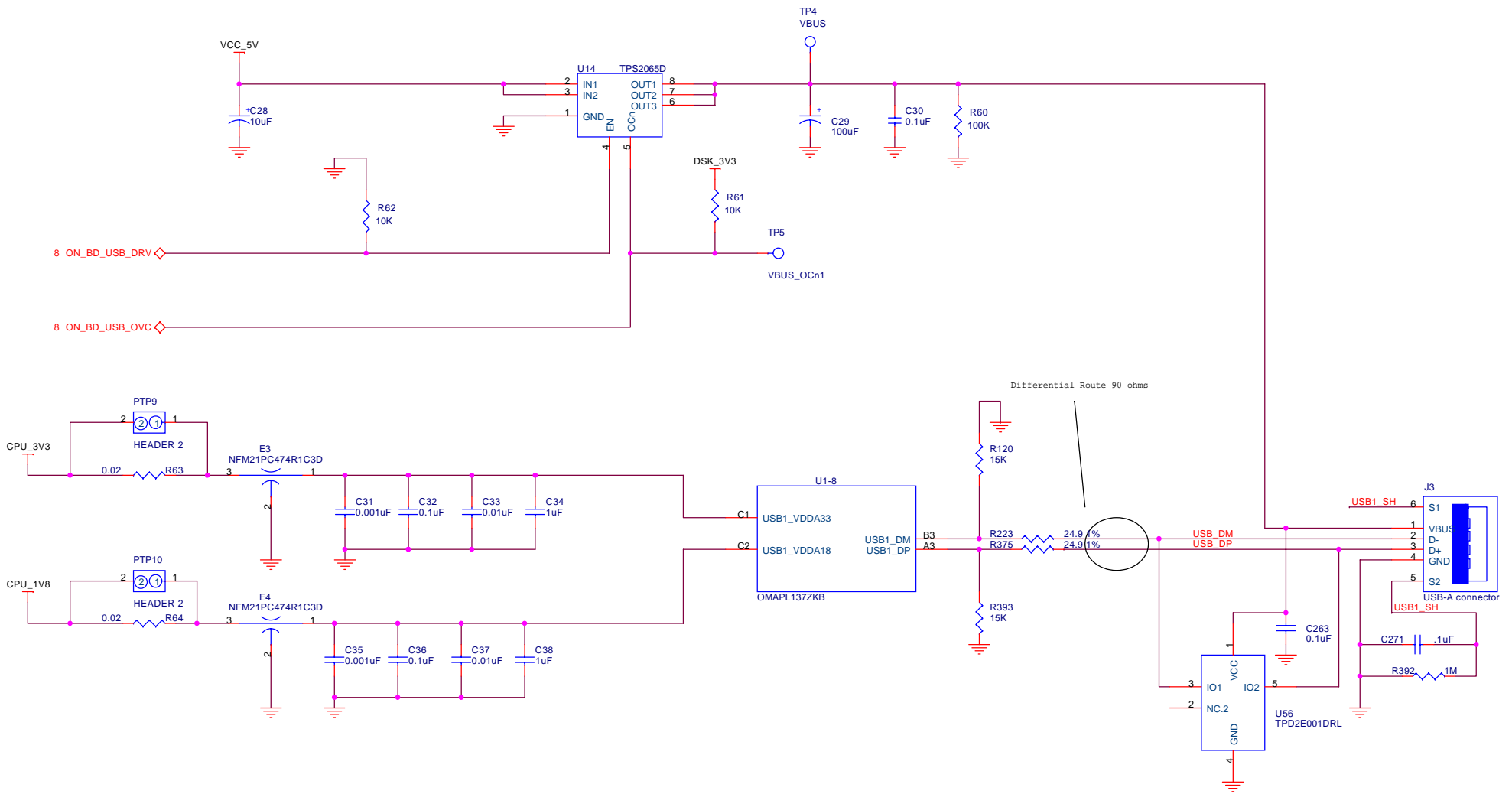


SPECTRUM DIGITAL INCORPORATED			
Title: OMAP-L137 EVM			
Page Contents: SPI MUXING			
Size: B	DWG NO	511342-0001	Revision: A
Date:	Tuesday, November 18, 2008	Sheet 5 of	32

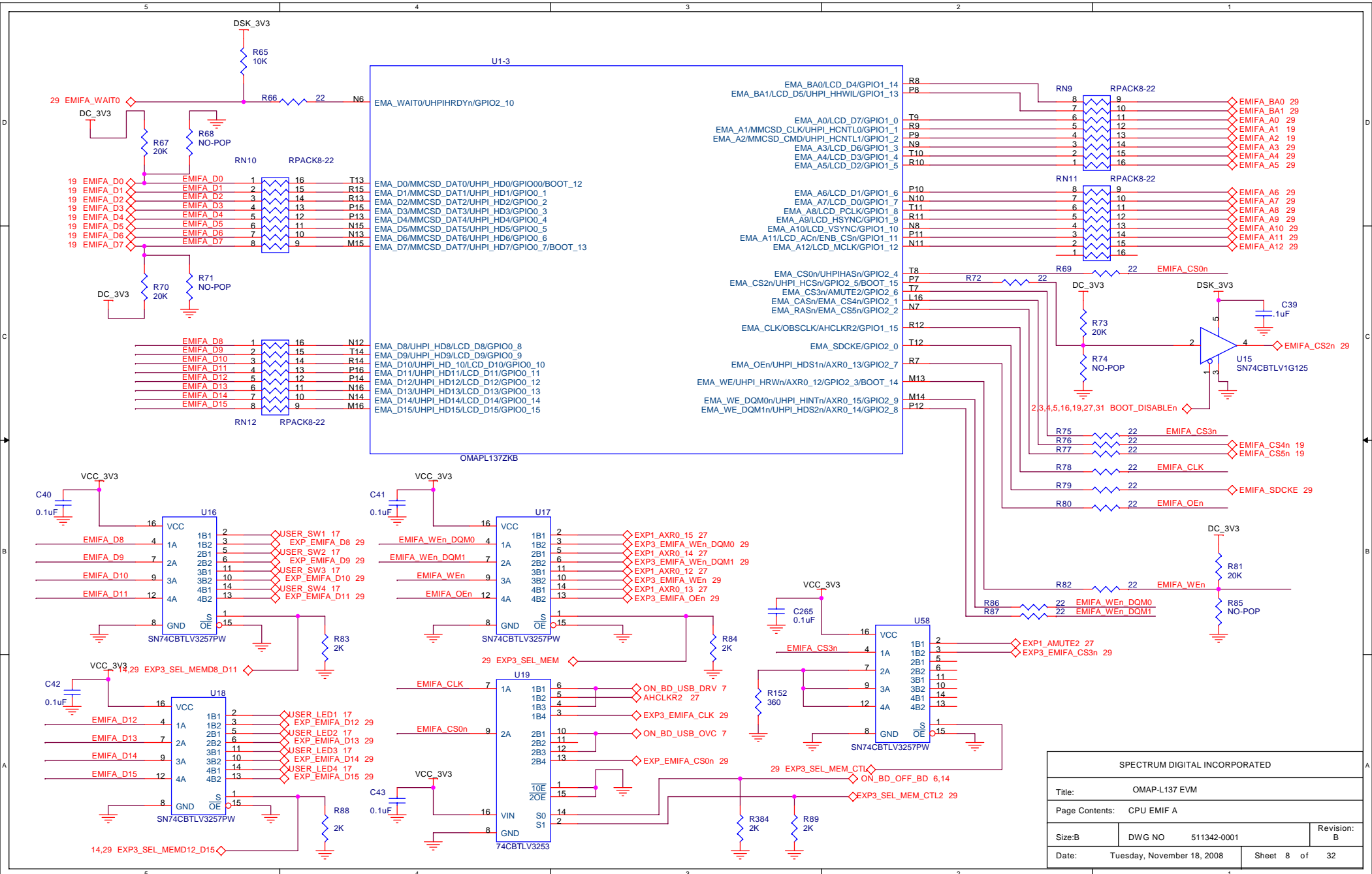


THESE FOOTPRINTS ARE OVERLAYED ONLY 1 OF 3 IS POPULATED AT 1 TIME

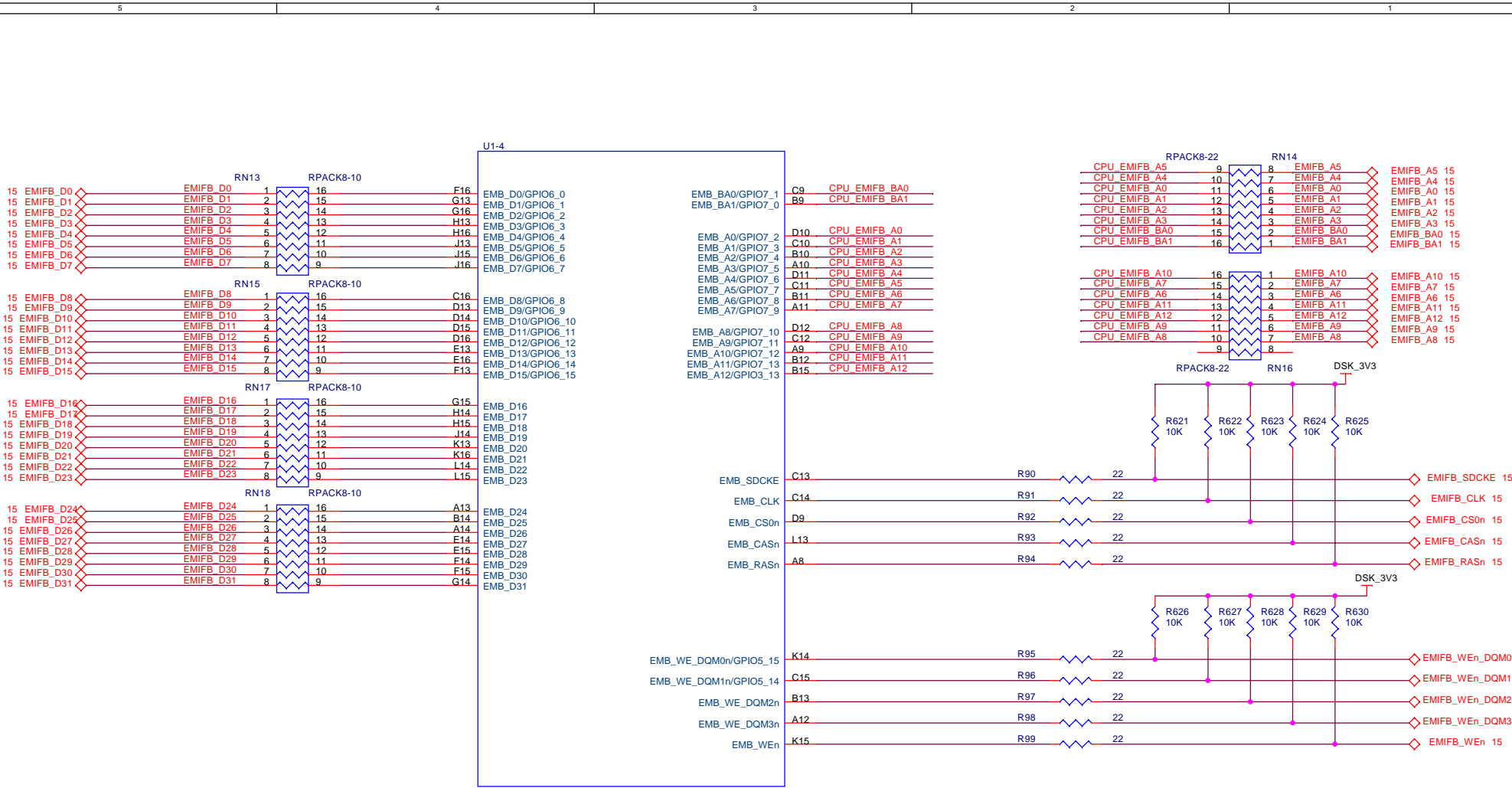
SPECTRUM DIGITAL INCORPORATED			
Title: OMAP-L137 EVM			
Page Contents: PRIMUS USB 2.0 INTERFACE			
Size: B	DWG NO	511342-0001	Revision: B
Date:	Tuesday, November 18, 2008	Sheet 6 of 32	



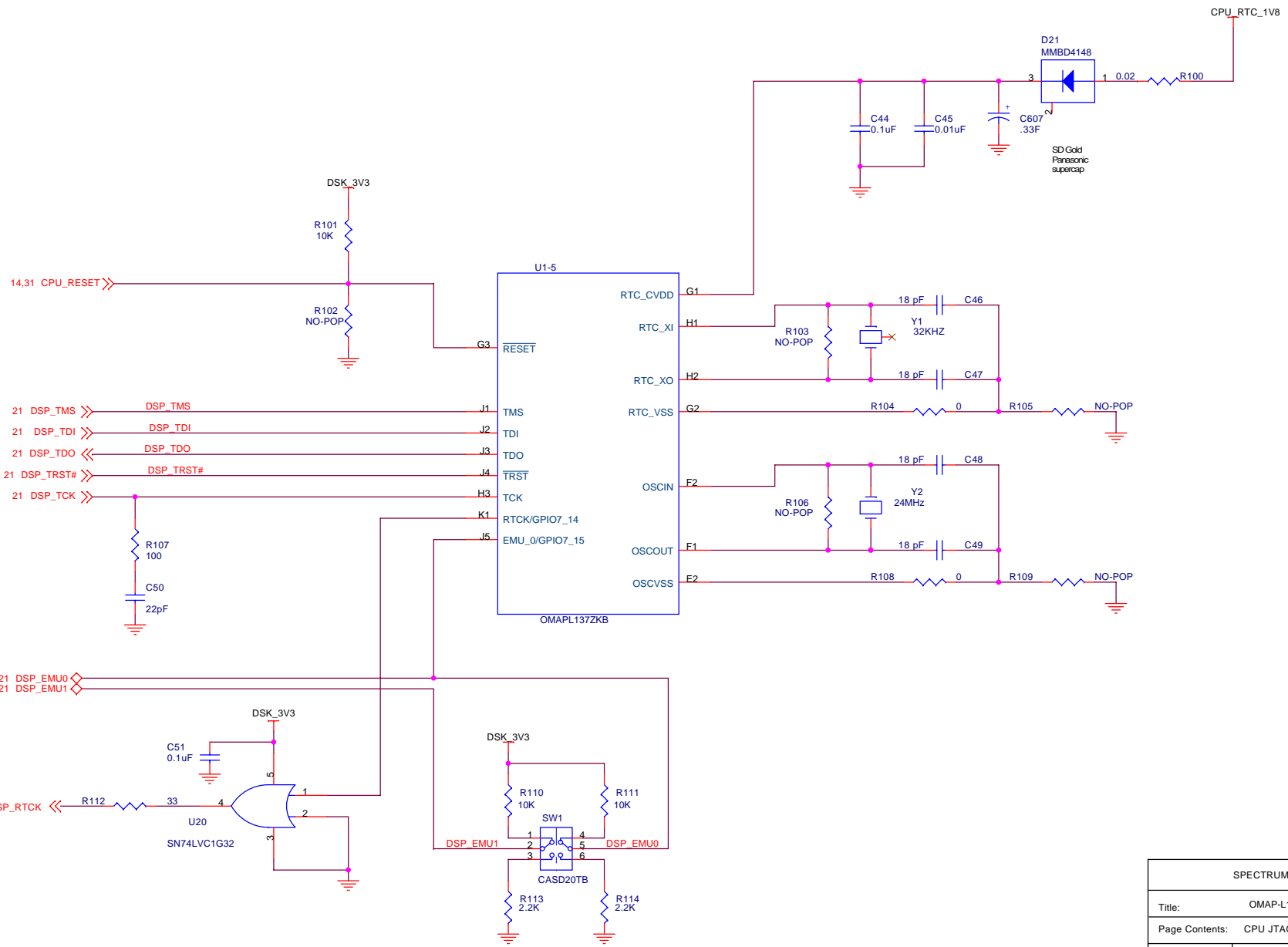
SPECTRUM DIGITAL INCORPORATED			
Title: OMAP-L137 EVM			
Page Contents: USB 1.0 HOST INTERFACE			
Size: B	DWG NO	511342-0001	Revision: A
Date:	Tuesday, November 18, 2008	Sheet 7 of	32



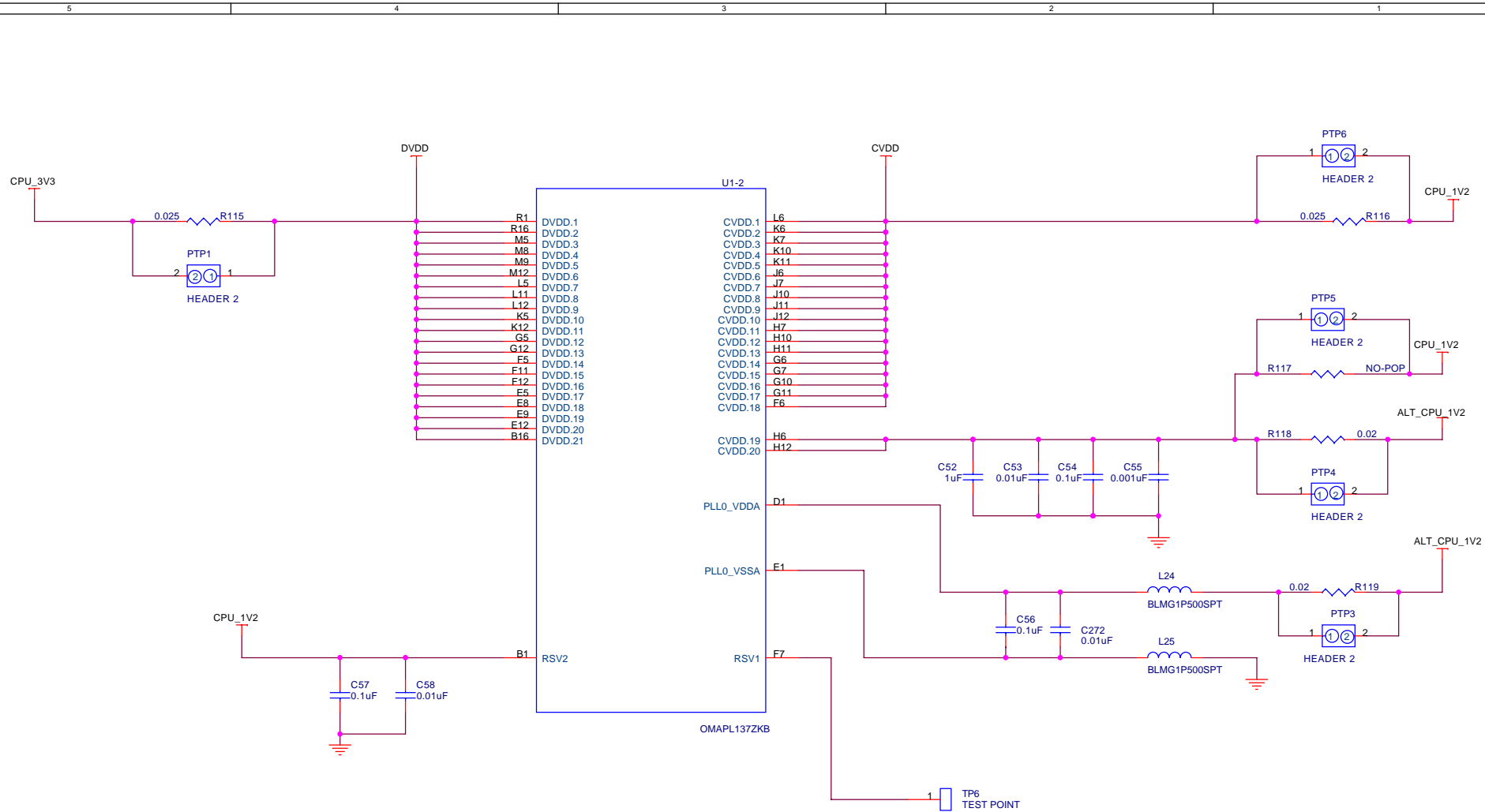
SPECTRUM DIGITAL INCORPORATED			
Title: OMAP-L137 EVM			
Page Contents: CPU EMIF A			
Size: B	DWG NO: 511342-0001	Revision: B	
Date: Tuesday, November 18, 2008	Sheet 8 of 32		



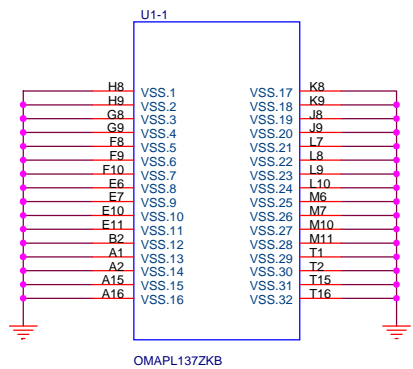
SPECTRUM DIGITAL INCORPORATED			
Title: OMAP-L137 EVM			
Page Contents: CPU EMIF-B			
Size: B	DWG NO	511342-0001	Revision: A
Date:	Tuesday, November 18, 2008	Sheet 9 of	32



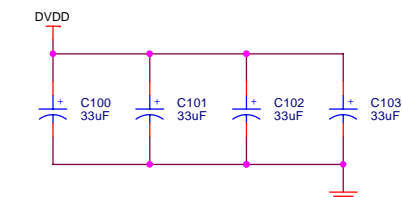
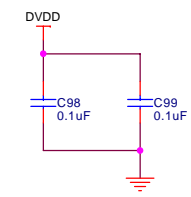
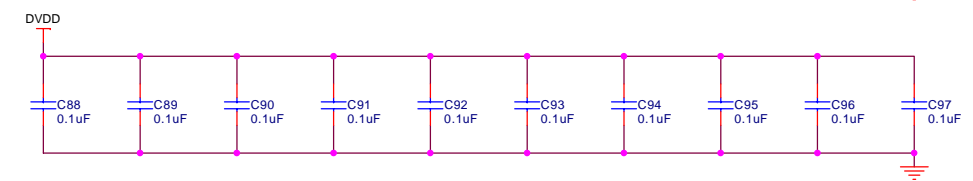
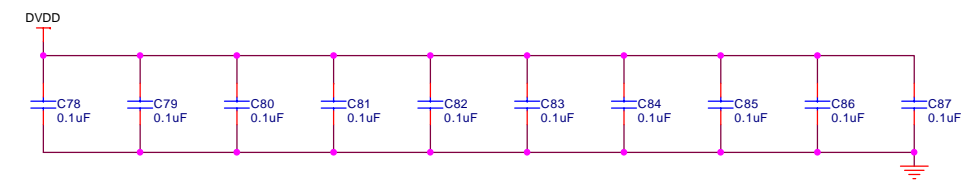
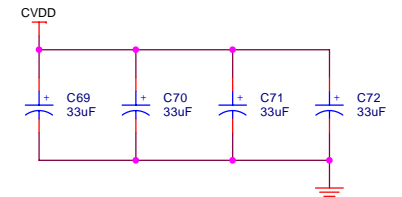
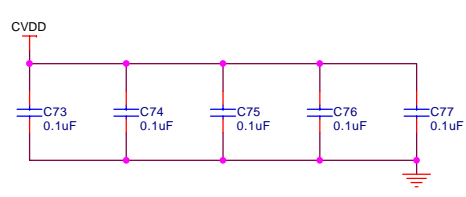
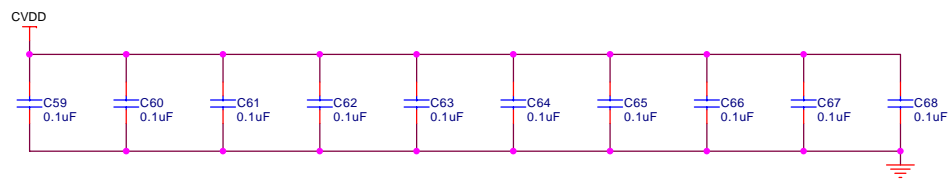
SPECTRUM DIGITAL INCORPORATED			
Title: OMAP-L137 EVM			
Page Contents: CPU JTAG/CLOCKS			
Size: B	DWG NO	511342-0001	Revision: A
Date:	Tuesday, November 18, 2008	Sheet	10 of 32



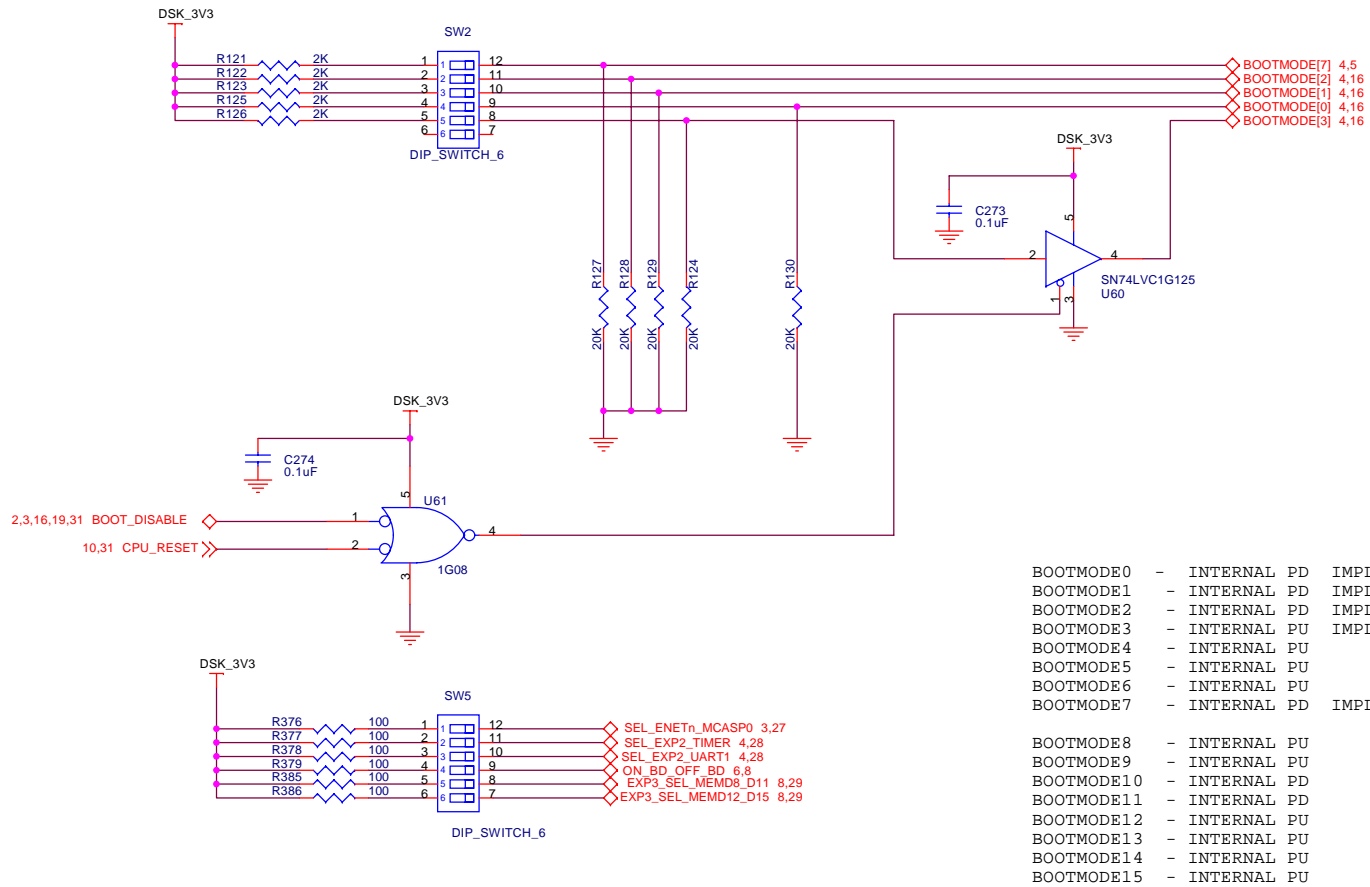
SPECTRUM DIGITAL INCORPORATED			
Title: OMAP-L137 EVM			
Page Contents: CPU POWER PINS			
Size: B	DWG NO	511342-0001	Revision: C
Date:	Tuesday, November 18, 2008	Sheet	11 of 32



SPECTRUM DIGITAL INCORPORATED			
Title:		OMAP-L137 EVM	
Page Contents: L137 GROUND PINS			
Size:B	DWG NO	511342-0001	Revision: A
Date:	Tuesday, November 18, 2008	Sheet	12 of 32

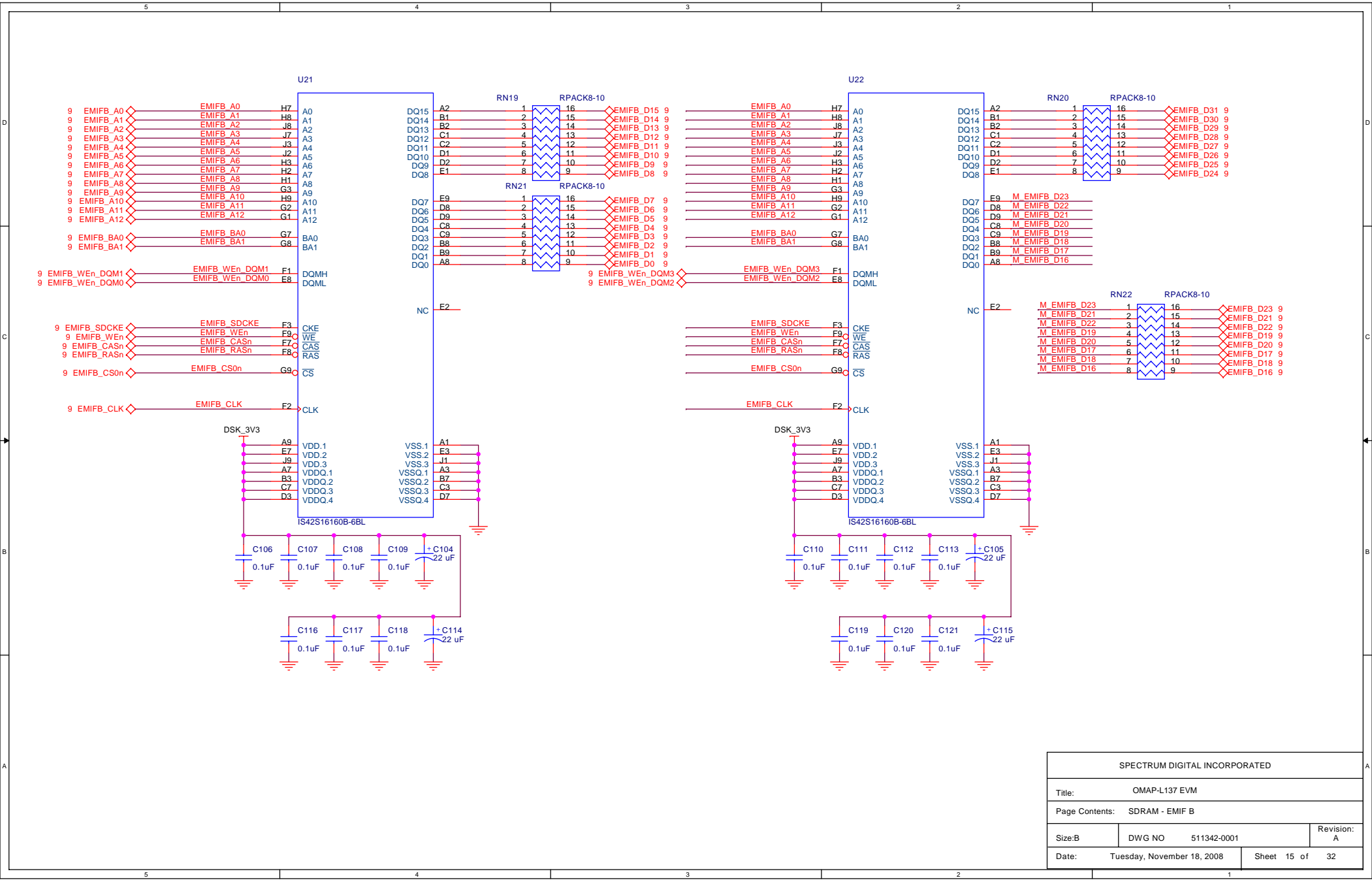


SPECTRUM DIGITAL INCORPORATED			
Title: OMAP-L137 EVM			
Page Contents: L137 DECOUPLING CAPACITORS			
Size: B	DWG NO	511342-0001	Revision: A
Date:	Tuesday, November 18, 2008	Sheet	13 of 32

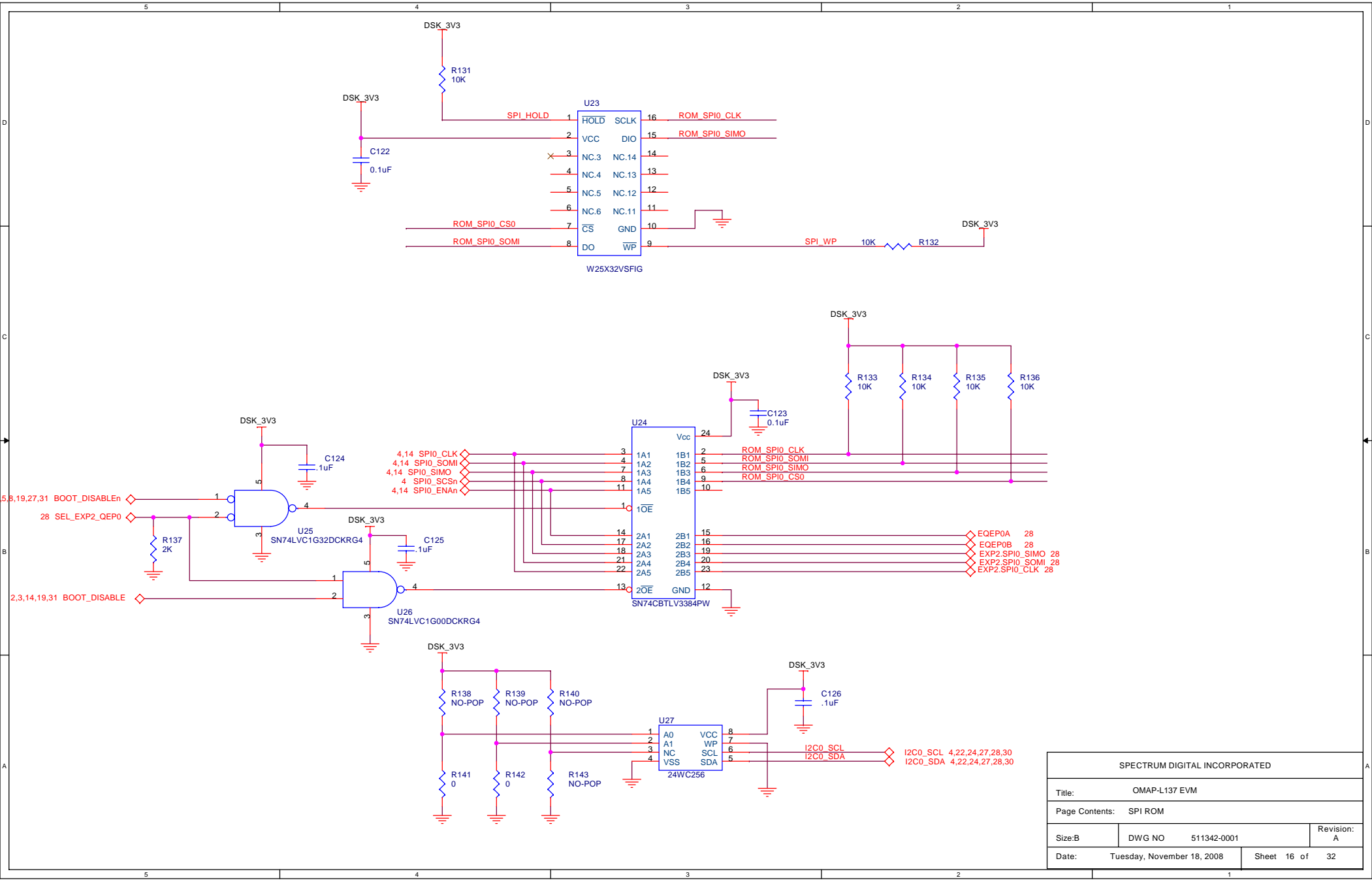


BOOTMODE0	- INTERNAL PD	IMPLEMENTED	
BOOTMODE1	- INTERNAL PD	IMPLEMENTED	
BOOTMODE2	- INTERNAL PD	IMPLEMENTED	
BOOTMODE3	- INTERNAL PU	IMPLEMENTED	
BOOTMODE4	- INTERNAL PU		DONE
BOOTMODE5	- INTERNAL PU		DONE
BOOTMODE6	- INTERNAL PU		DONE
BOOTMODE7	- INTERNAL PD	IMPLEMENTED	
BOOTMODE8	- INTERNAL PU		DONE
BOOTMODE9	- INTERNAL PU		DONE
BOOTMODE10	- INTERNAL PD		DONE
BOOTMODE11	- INTERNAL PD		DONE
BOOTMODE12	- INTERNAL PU		DONE
BOOTMODE13	- INTERNAL PU		DONE
BOOTMODE14	- INTERNAL PU		DONE
BOOTMODE15	- INTERNAL PU		DONE

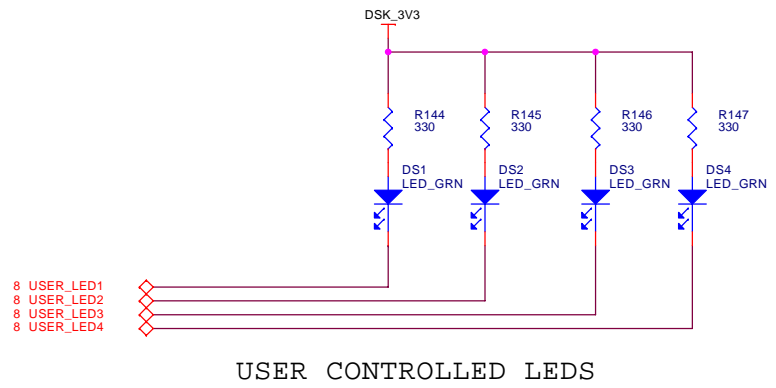
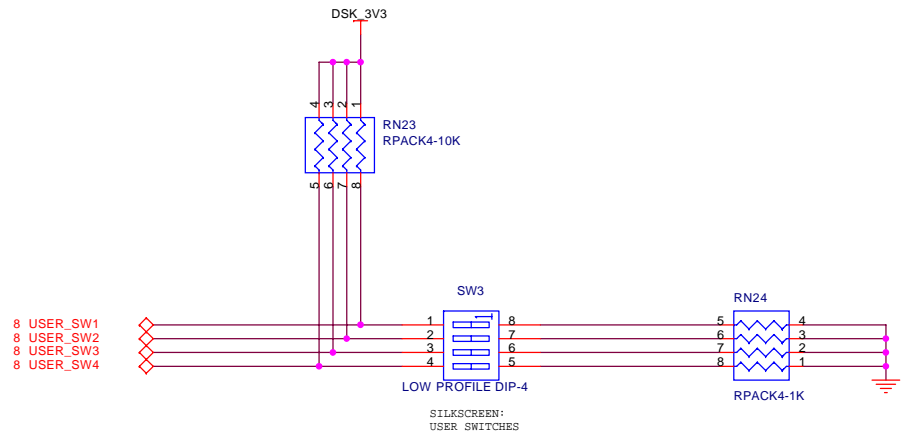
SPECTRUM DIGITAL INCORPORATED			
Title: OMAP-L137 EVM			
Page Contents: BOOT MODES			
Size: B	DWG NO	511342-0001	Revision: D
Date:	Tuesday, November 18, 2008	Sheet 14 of	32



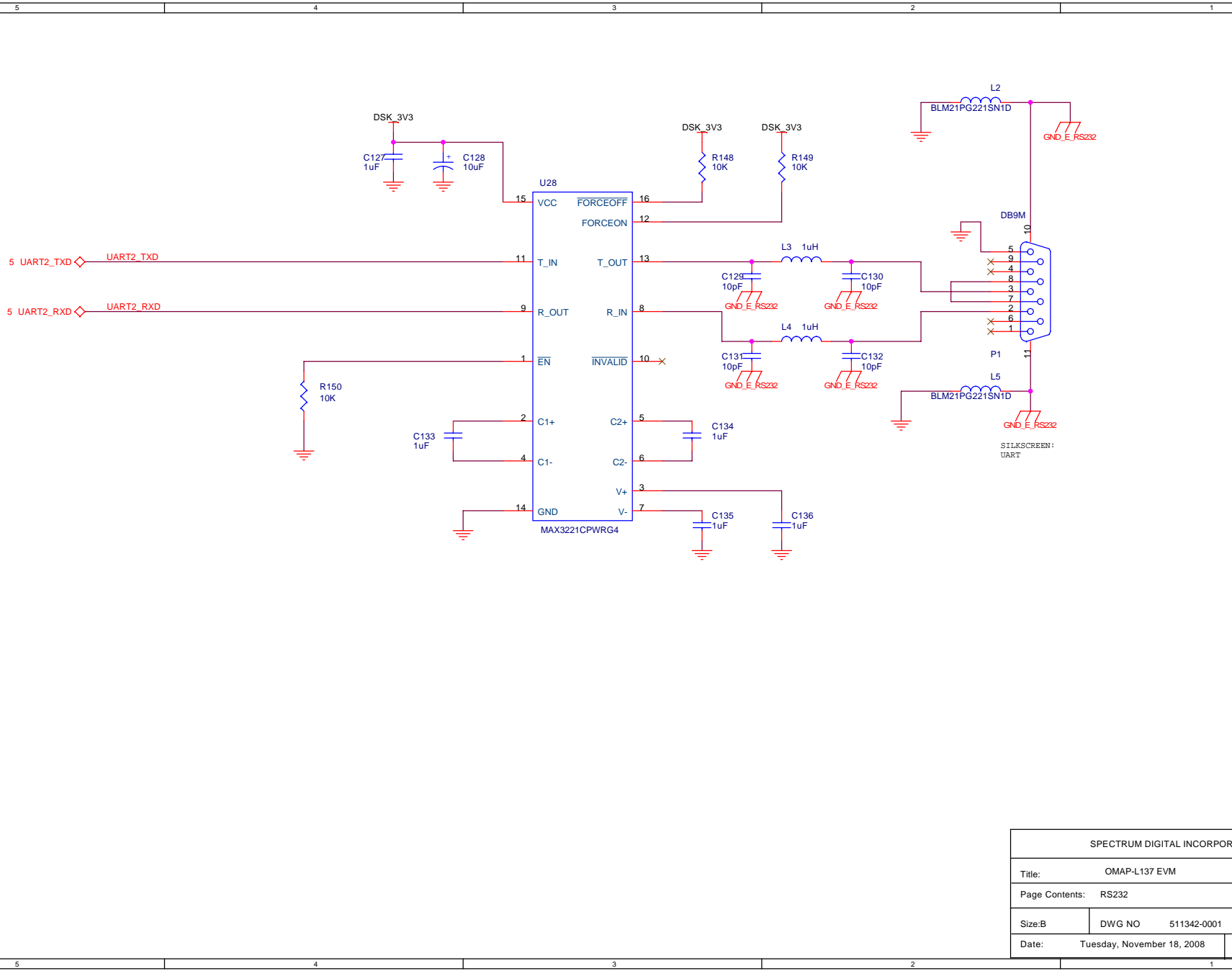
SPECTRUM DIGITAL INCORPORATED			
Title: OMAP-L137 EVM			
Page Contents: SDRAM - EMIF B			
Size: B	DWG NO	511342-0001	Revision: A
Date:	Tuesday, November 18, 2008	Sheet	15 of 32



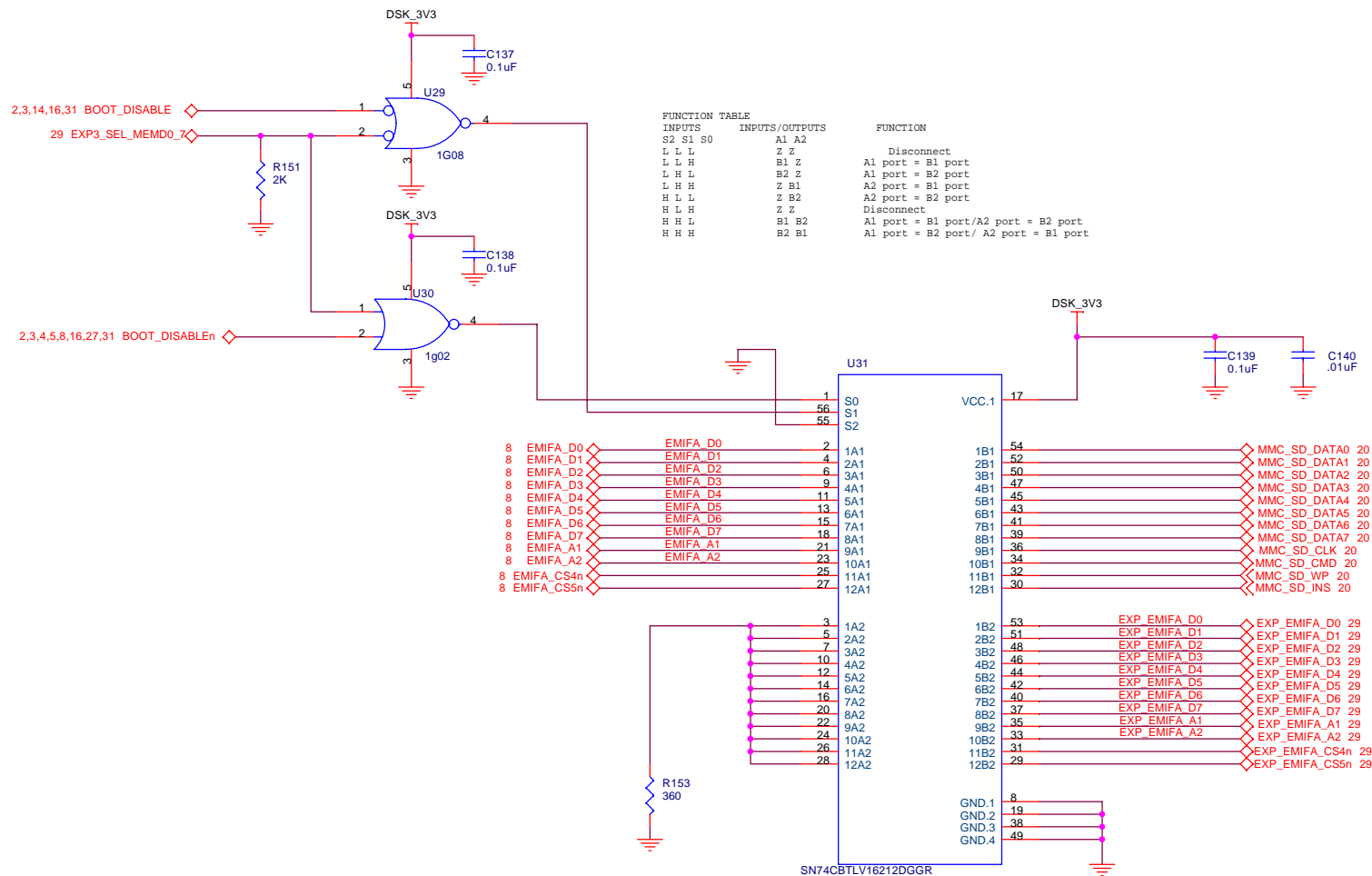
SPECTRUM DIGITAL INCORPORATED			
Title: OMAP-L137 EVM			
Page Contents: SPI ROM			
Size: B	DWG NO	511342-0001	Revision: A
Date:	Tuesday, November 18, 2008	Sheet 16 of	32



SPECTRUM DIGITAL INCORPORATED			
Title: OMAP-L137 EVM			
Page Contents: USER SWITCHES LEDS			
Size: B	DWG NO	511342-0001	Revision: A
Date:	Tuesday, November 18, 2008	Sheet 17 of	32



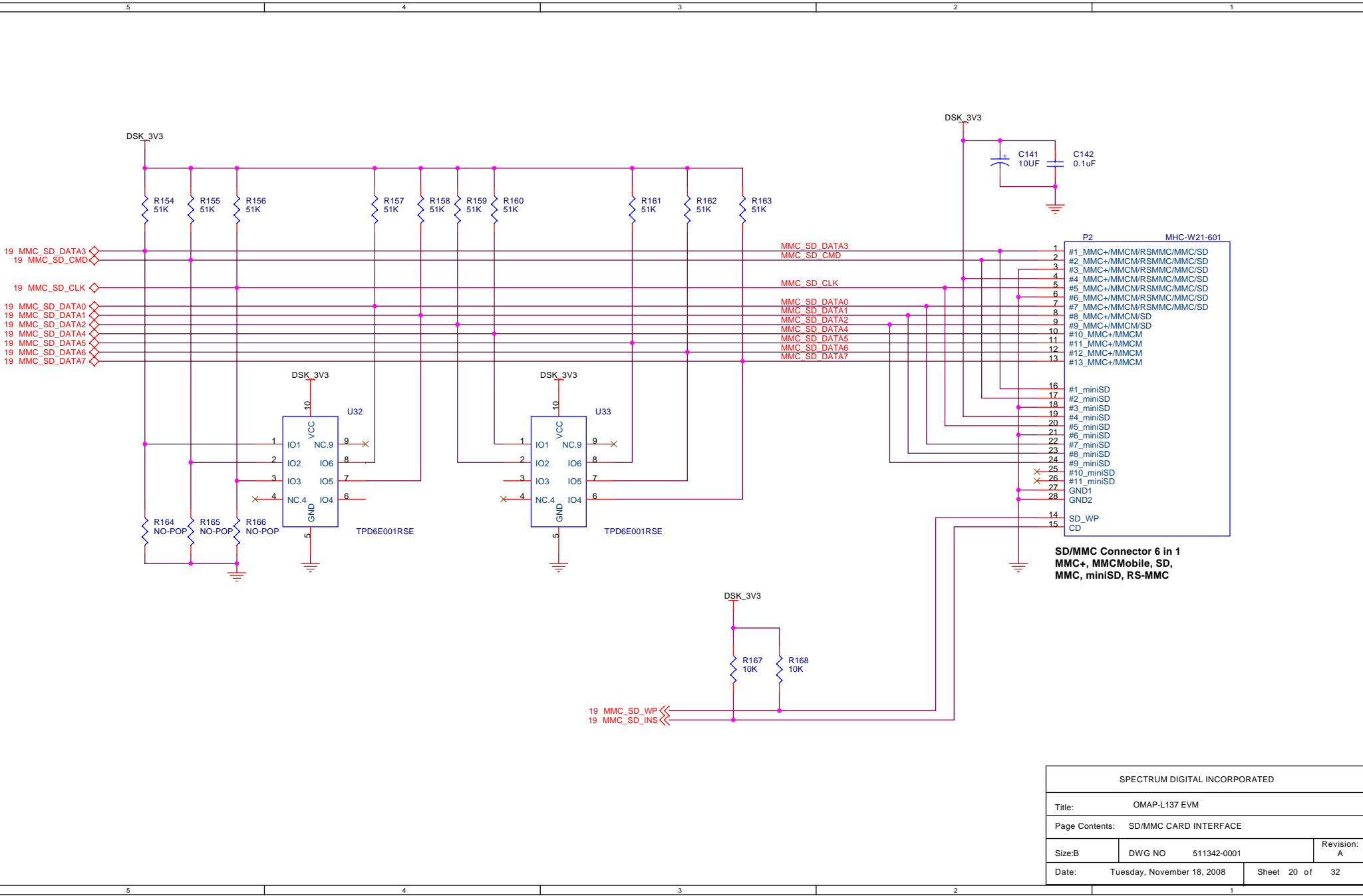
SPECTRUM DIGITAL INCORPORATED			
Title: OMAP-L137 EVM			
Page Contents: RS232			
Size: B	DWG NO	511342-0001	Revision: A
Date:	Tuesday, November 18, 2008	Sheet 18 of	32



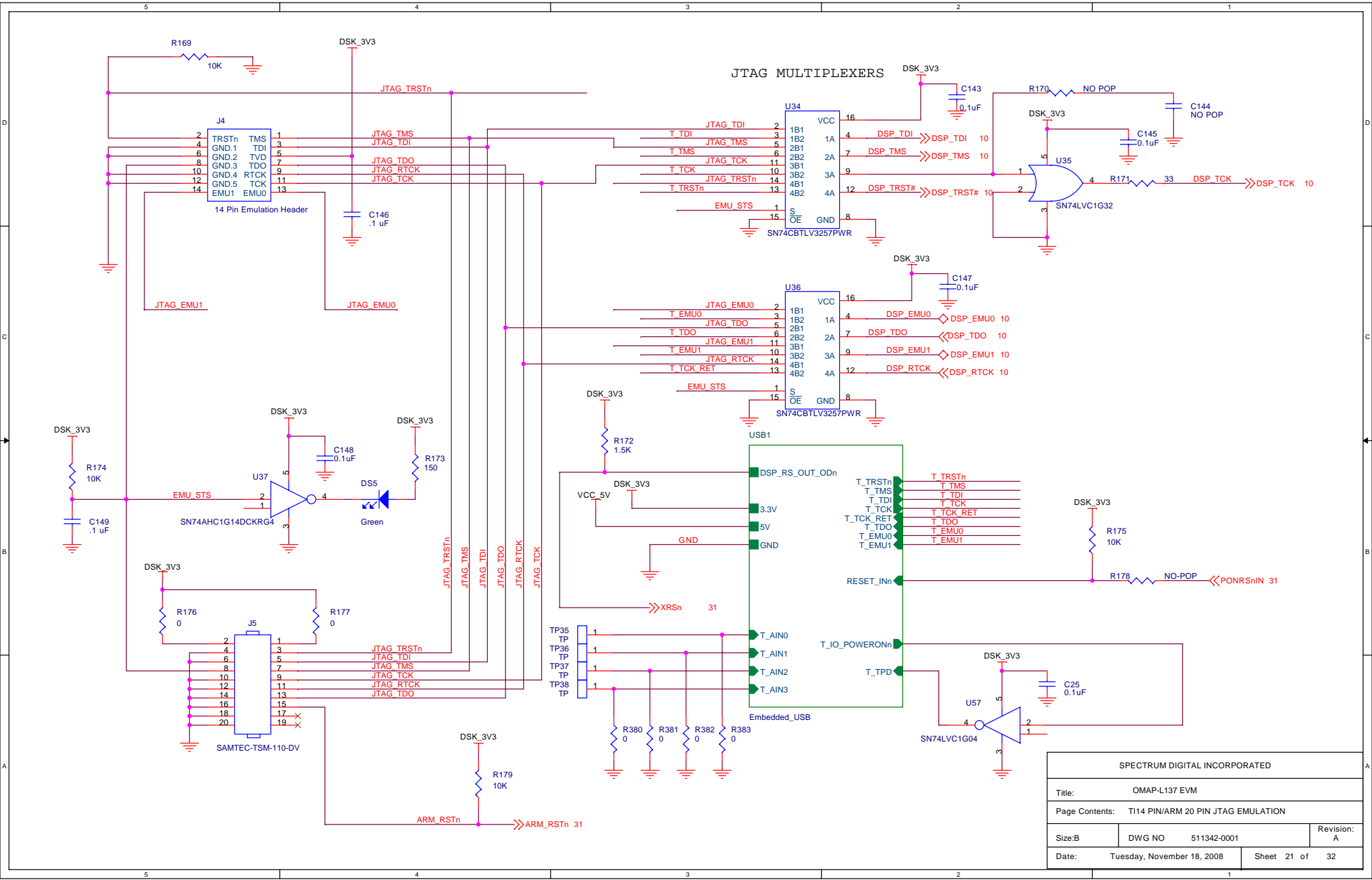
FUNCTION TABLE

INPUTS			INPUTS/OUTPUTS		FUNCTION
S2	S1	S0	A1	A2	
L	L	L	Z	Z	Disconnect
L	L	H	B1	Z	A1 port = B1 port
L	H	L	B2	Z	A1 port = B2 port
L	H	H	Z	B1	A2 port = B1 port
H	L	L	Z	B2	A2 port = B2 port
H	L	H	Z	Z	Disconnect
H	H	L	B1	B2	A1 port = B1 port/A2 port = B2 port
H	H	H	B2	B1	A1 port = B2 port/A2 port = B1 port

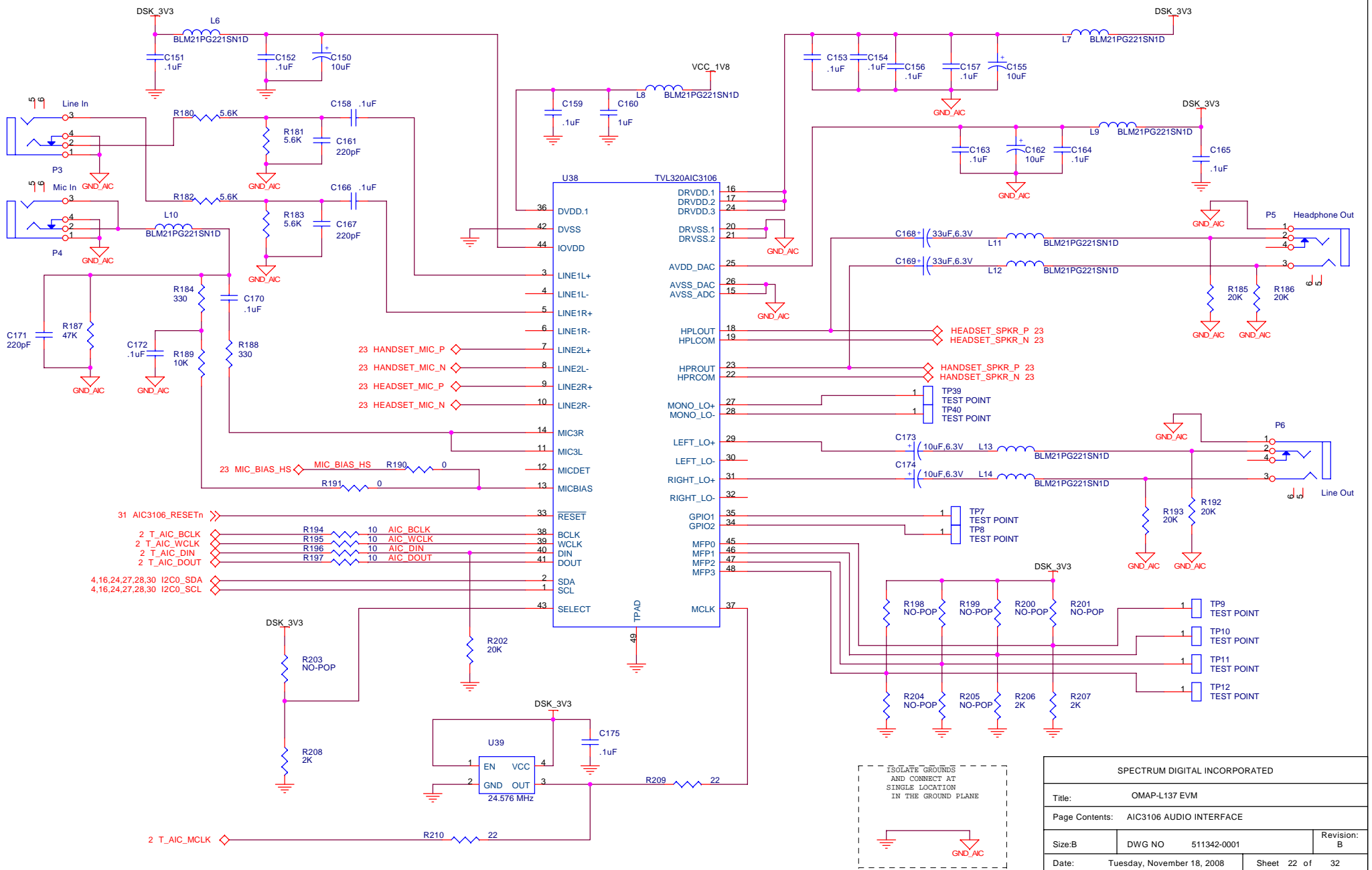
SPECTRUM DIGITAL INCORPORATED			
Title: OMAP-L137 EVM			
Page Contents: SD/MMC CARD MUXING			
Size: B	DWG NO	511342-0001	Revision: B
Date:	Tuesday, November 18, 2008	Sheet	19 of 32



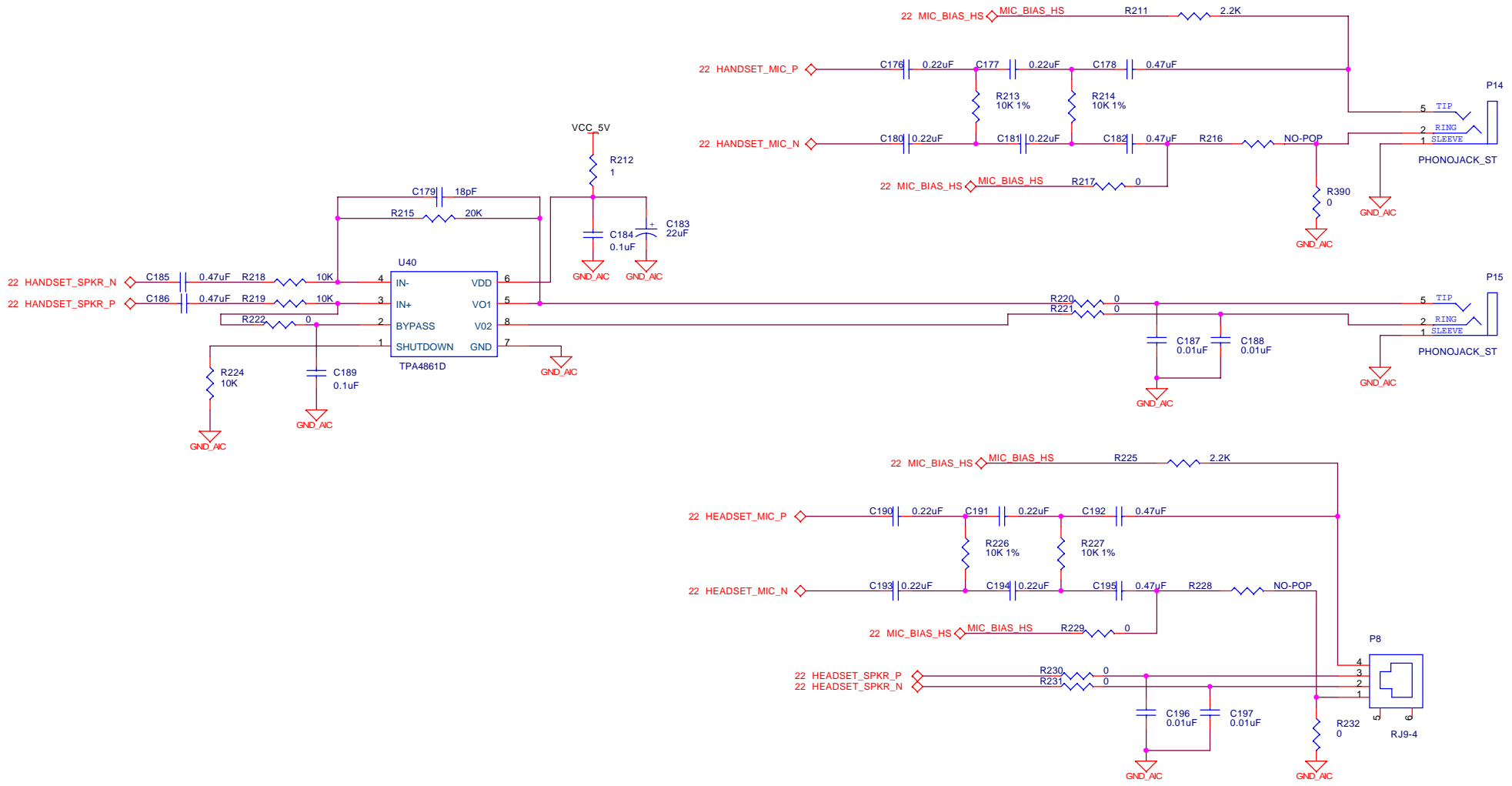
SPECTRUM DIGITAL INCORPORATED			
Title: OMAP-L137 EVM			
Page Contents: SD/MMC CARD INTERFACE			
Size: B	DWG NO	511342-0001	Revision: A
Date:	Tuesday, November 18, 2008	Sheet	20 of 32



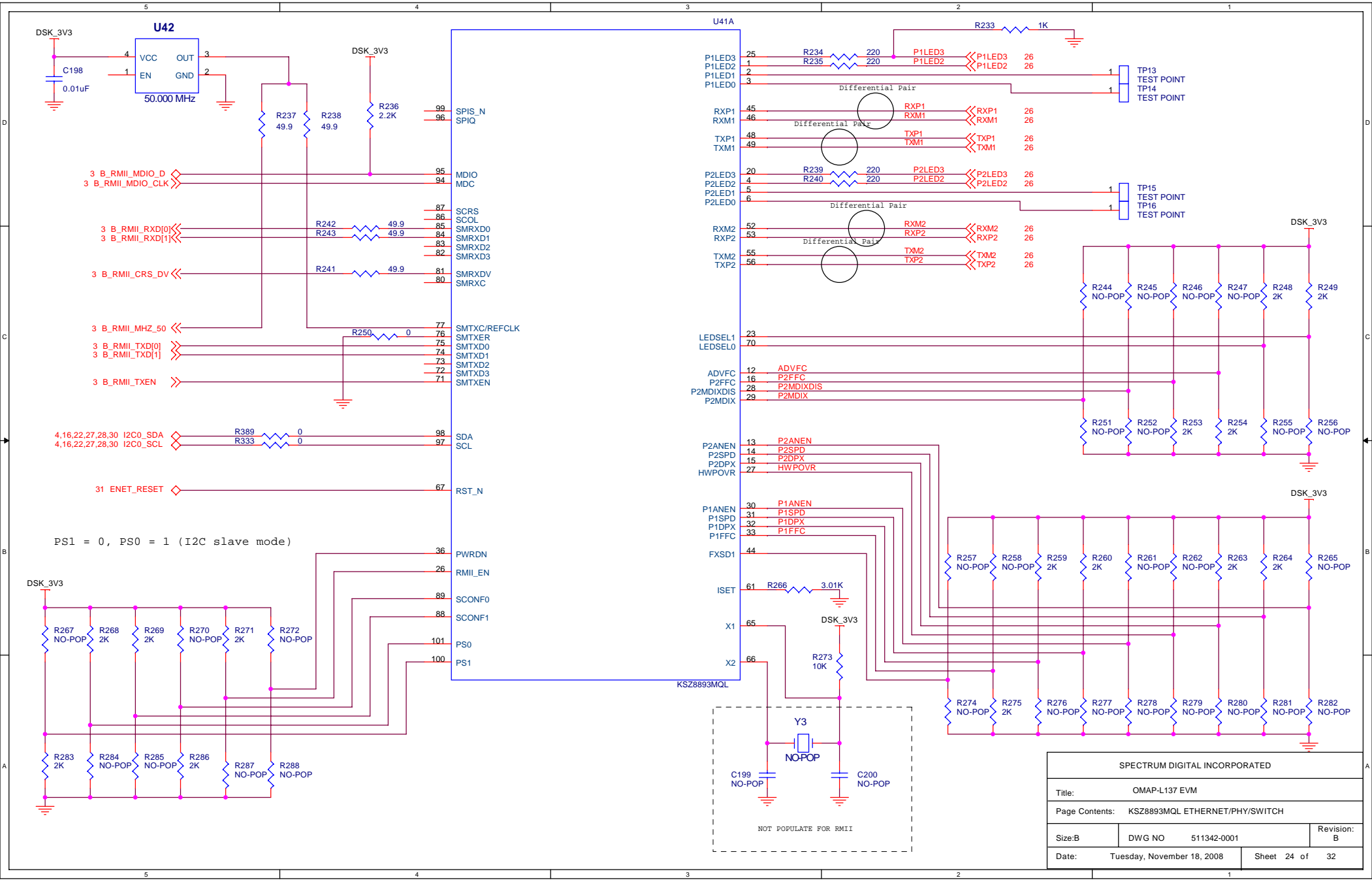
SPECTRUM DIGITAL INCORPORATED			
Title: OMAP-L137 EVM			
Page Contents: T114 PIN/ARM 20 PIN JTAG EMULATION			
Size: B	DWG NO	511342-0001	Revision: A
Date:	Tuesday, November 18, 2008	Sheet	21 of 32



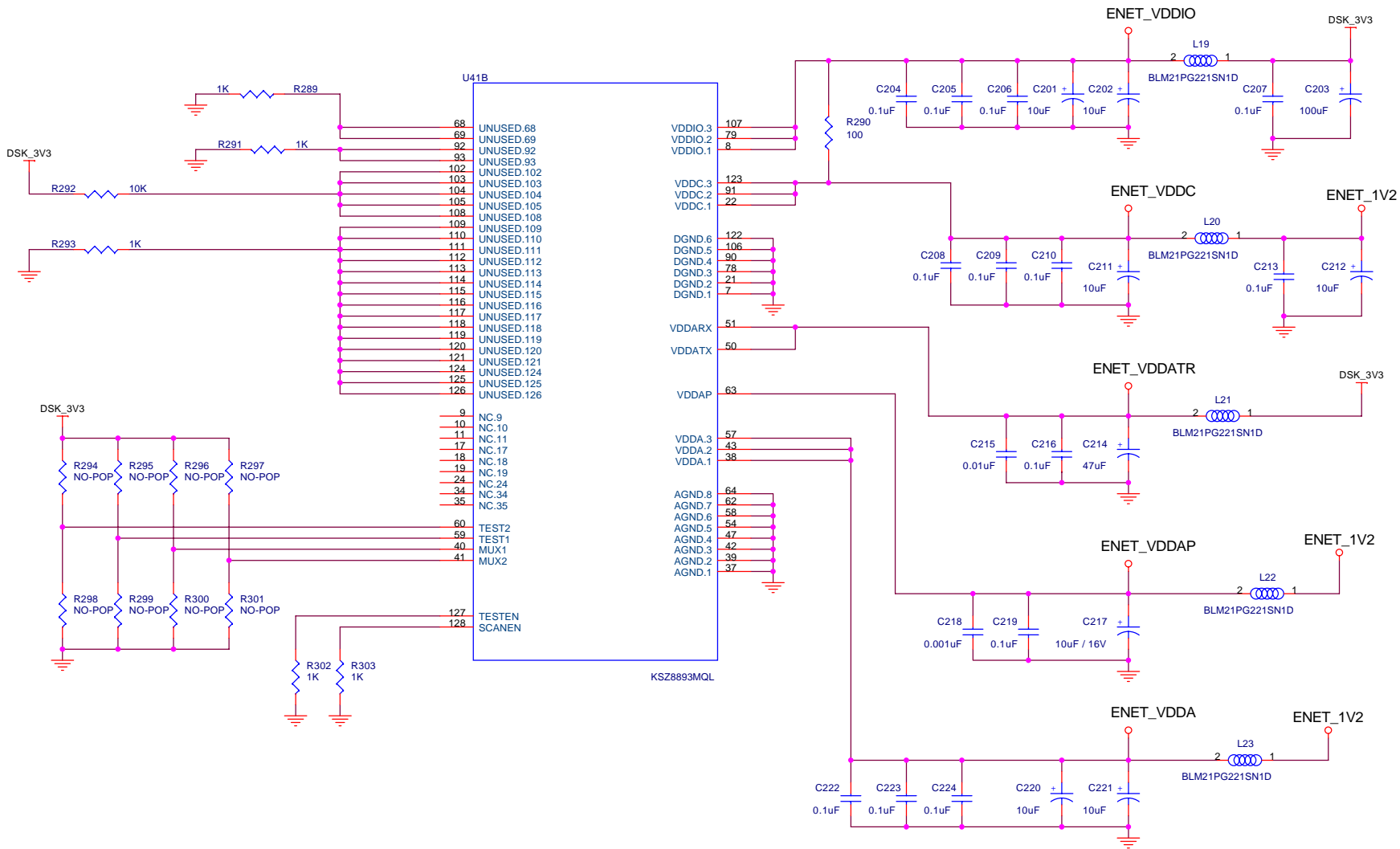
SPECTRUM DIGITAL INCORPORATED			
Title: OMAP-L137 EVM			
Page Contents: AIC3106 AUDIO INTERFACE			
Size: B	DWG NO	511342-0001	Revision: B
Date: Tuesday, November 18, 2008	Sheet 22 of 32		



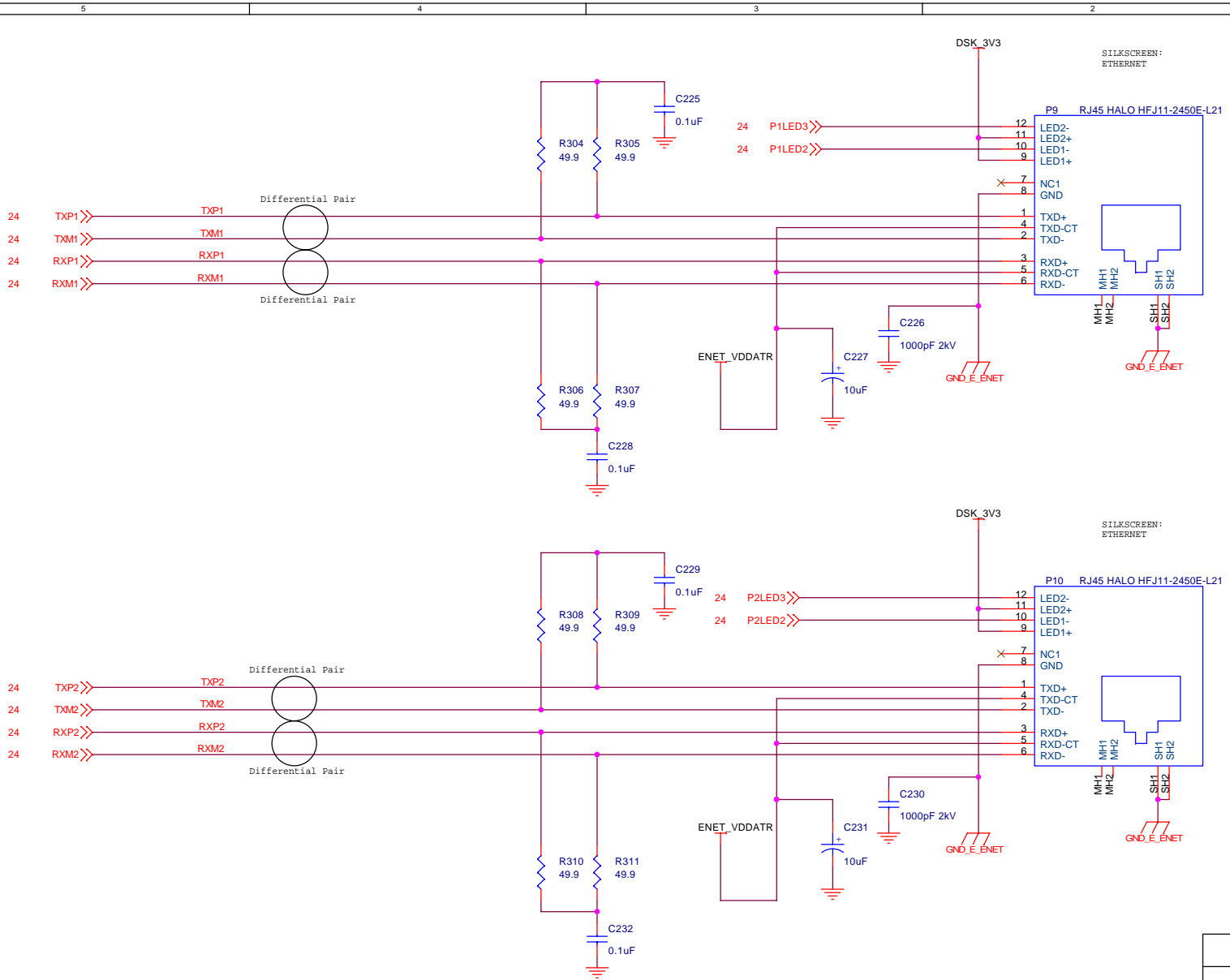
SPECTRUM DIGITAL INCORPORATED			
Title: OMAP-L137 EVM			
Page Contents: AIC3106 RJ9-4/ PHONO INTERFACES			
Size: B	DWG NO	511342-0001	Revision: B
Date:	Tuesday, November 18, 2008	Sheet	23 of 32



SPECTRUM DIGITAL INCORPORATED			
Title: OMAP-L137 EVM			
Page Contents: KSZ8893MQL ETHERNET/PHY/SWITCH			
Size: B	DWG NO	511342-0001	Revision: B
Date: Tuesday, November 18, 2008	Sheet 24 of 32		

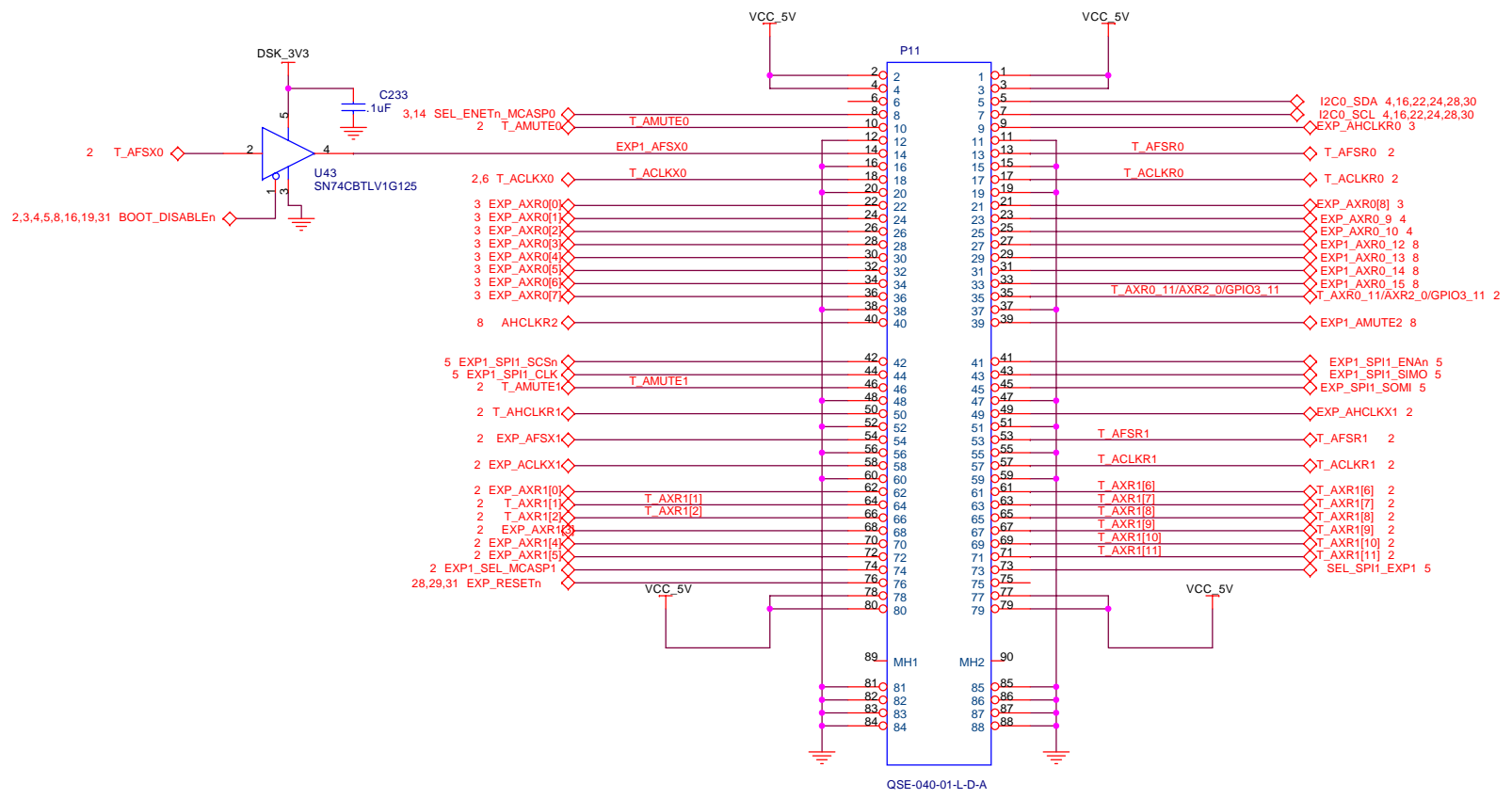


SPECTRUM DIGITAL INCORPORATED			
Title: OMAP-L137 EVM			
Page Contents: KSZ8893MQL ETHERNET POWER			
Size: B	DWG NO	511342-0001	Revision: A
Date:	Tuesday, November 18, 2008	Sheet	25 of 32



SPECTRUM DIGITAL INCORPORATED			
Title: OMAP-L137 EVM			
Page Contents: KSZ8893MQL ETHERNET PORTS			
Size: B	DWG NO	511342-0001	Revision: A
Date:	Tuesday, November 18, 2008	Sheet 26 of	32

5 4 3 2 1

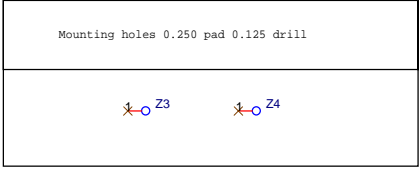
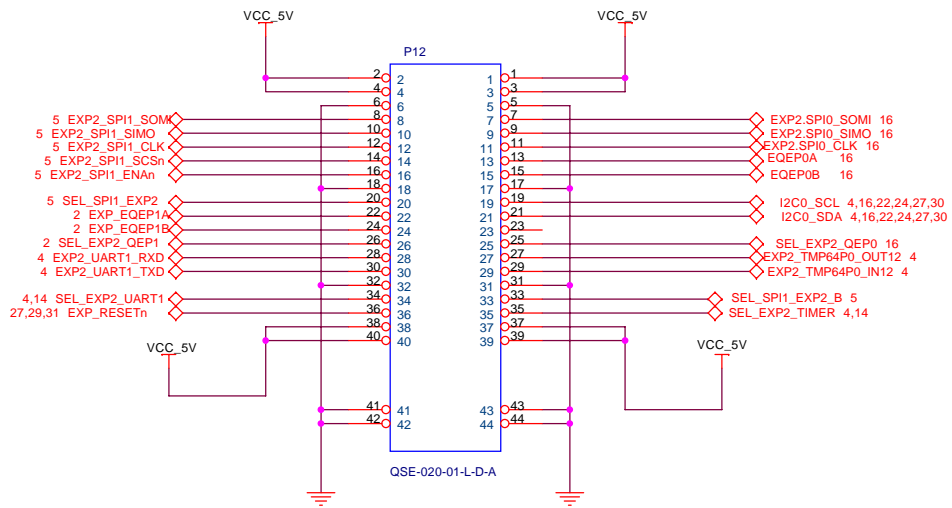


Mounting holes 0.250 pad 0.125 drill

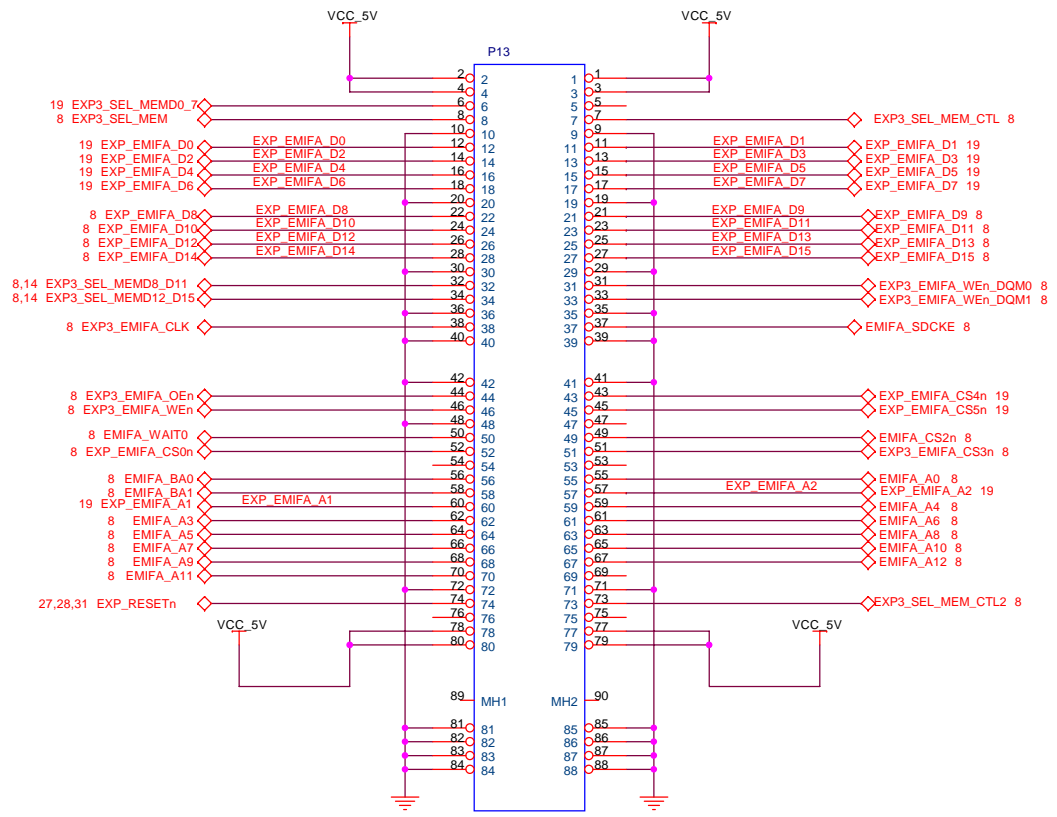
Z2 Z1

SPECTRUM DIGITAL INCORPORATED			
Title: OMAP-L137 EVM			
Page Contents: AUDIO / EXPANSION COINNECTOR 1			
Size: B	DWG NO	511342-0001	Revision: A
Date:	Tuesday, November 18, 2008	Sheet	27 of 32

5 4 3 2 1



SPECTRUM DIGITAL INCORPORATED			
Title:		OMAP-L137 EVM	
Page Contents: EXPANSION 2			
Size: B	DWG NO	511342-0001	Revision: A
Date:	Tuesday, November 18, 2008	Sheet 28 of	32

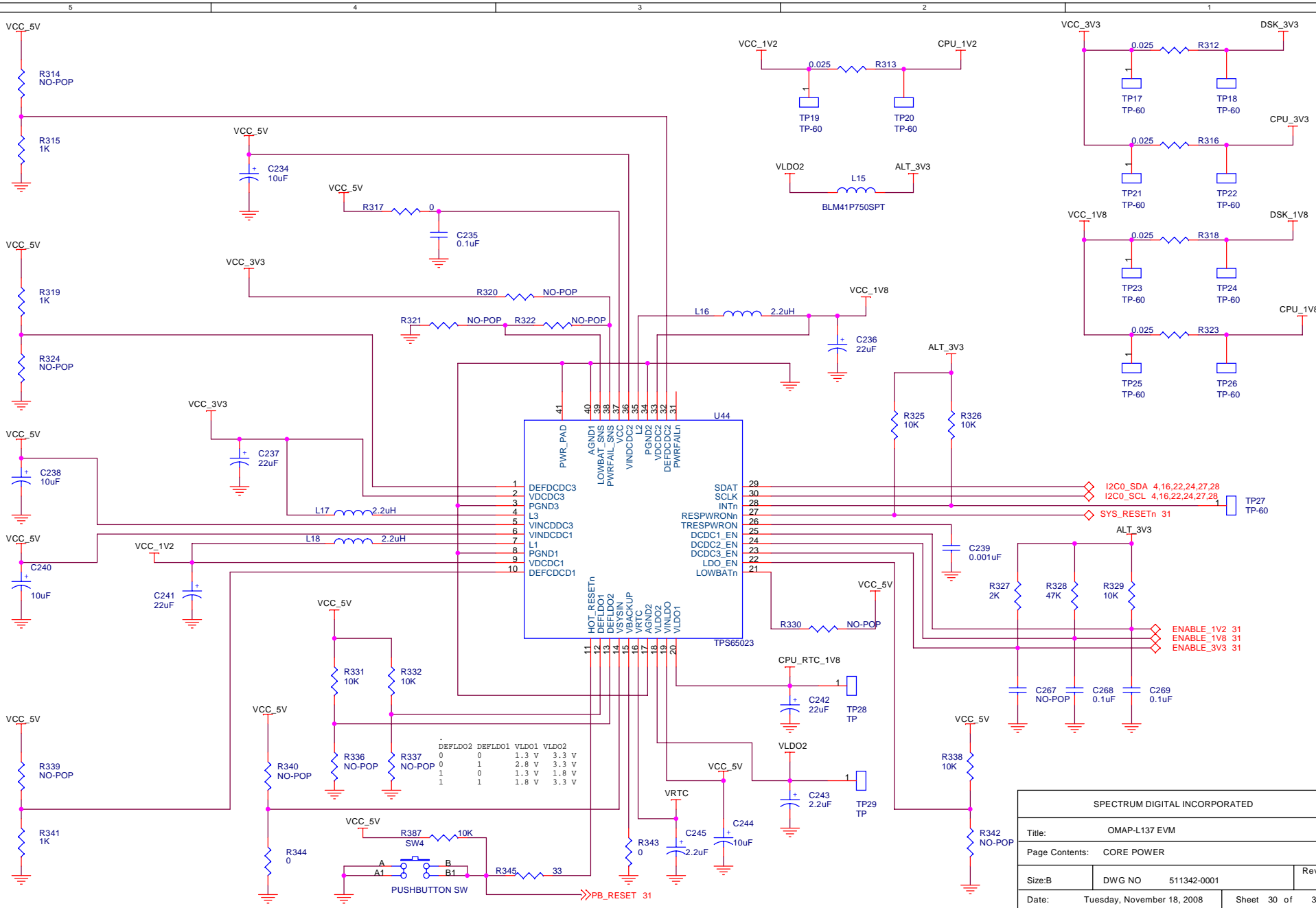


QSE-040-01-L-D-A

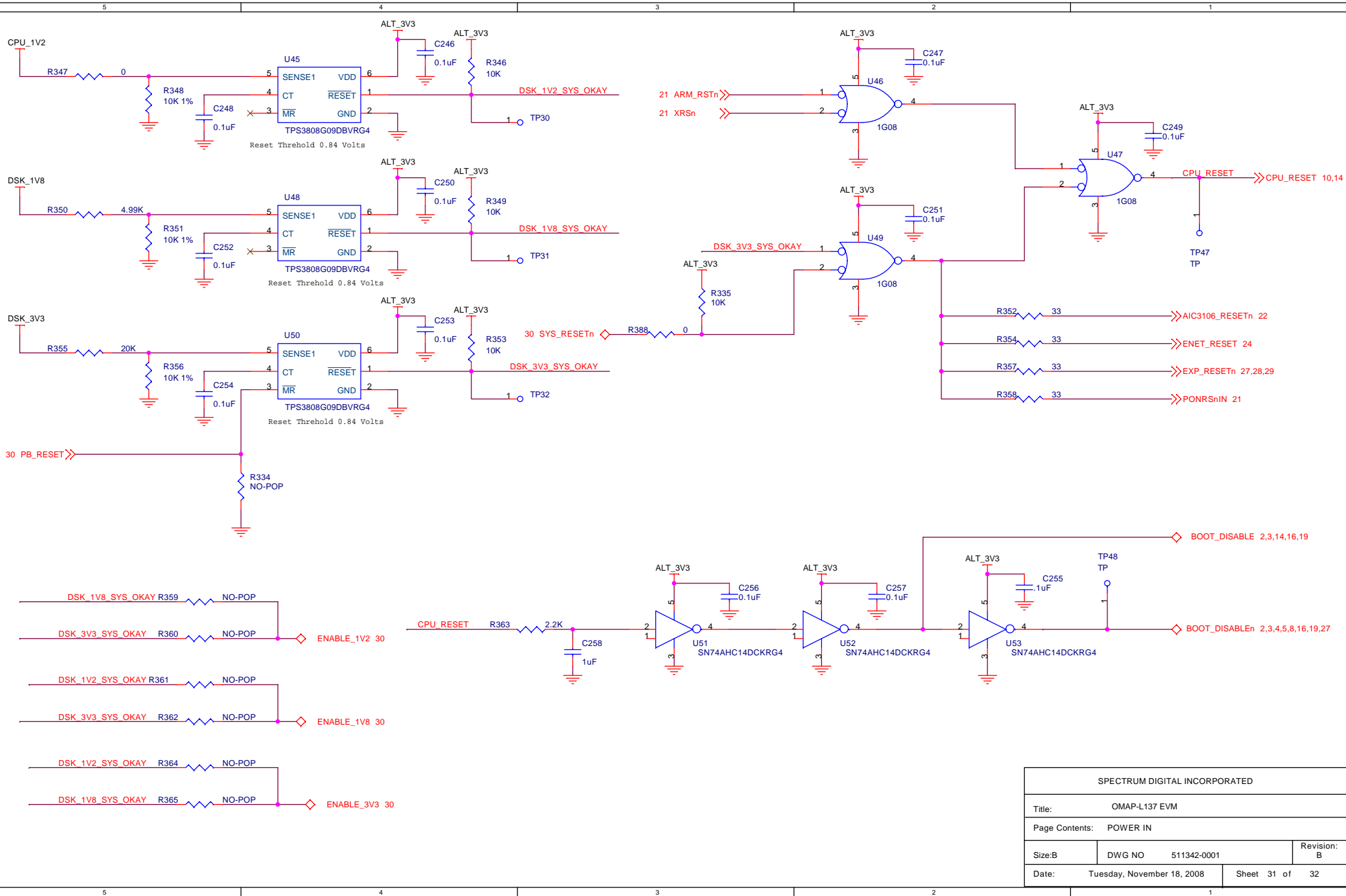
Mounting holes 0.250 pad 0.125 drill

✕ Z5

SPECTRUM DIGITAL INCORPORATED			
Title: OMAP-L137 EVM			
Page Contents: EXPANSION 3			
Size: B	DWG NO	511342-0001	Revision: B
Date:	Tuesday, November 18, 2008	Sheet 29 of	32

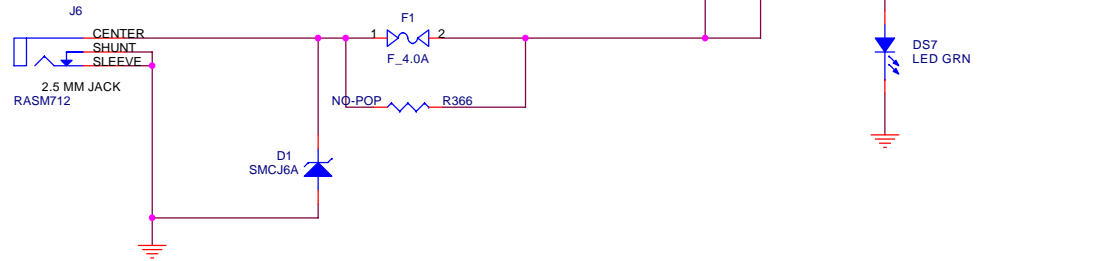


SPECTRUM DIGITAL INCORPORATED			
Title: OMAP-L137 EVM			
Page Contents: CORE POWER			
Size: B	DWG NO	511342-0001	Revision: B
Date:	Tuesday, November 18, 2008	Sheet	30 of 32

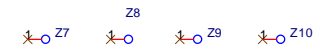


SPECTRUM DIGITAL INCORPORATED			
Title: OMAP-L137 EVM			
Page Contents: POWER IN			
Size: B	DWG NO	511342-0001	Revision: B
Date:	Tuesday, November 18, 2008	Sheet 31 of	32

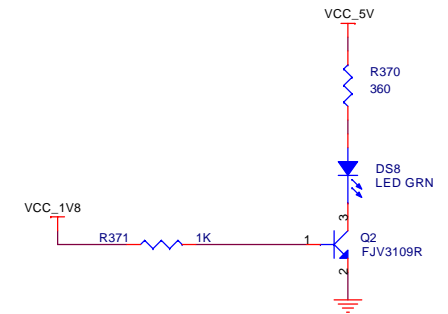
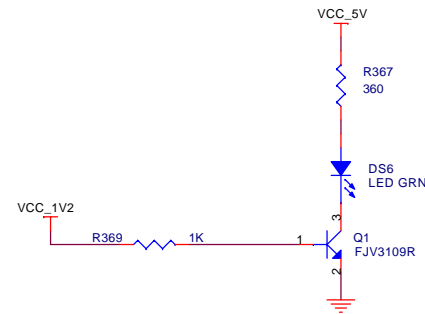
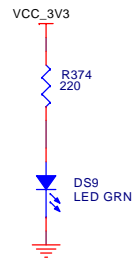
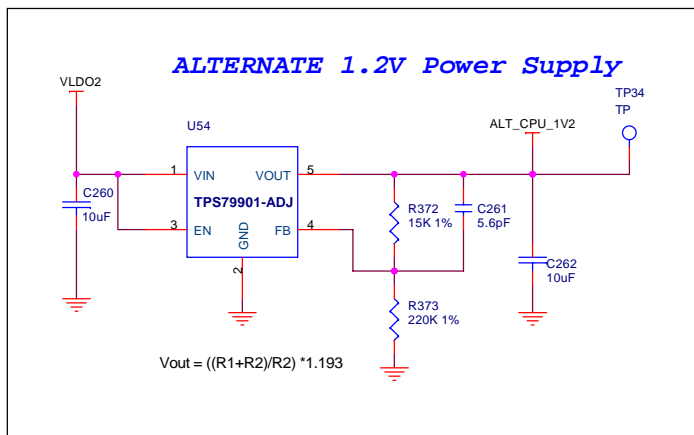
SILKSCREEN:
5V IN



Mounting holes 0.250 pad 0.125 drill



ALTERNATE 1.2V Power Supply



SPECTRUM DIGITAL INCORPORATED			
Title: OMAP-L137 EVM			
Page Contents: POWER IN			
Size: B	DWG NO: 511342-0001	Revision: B	
Date: Tuesday, November 18, 2008	Sheet 32 of 32		