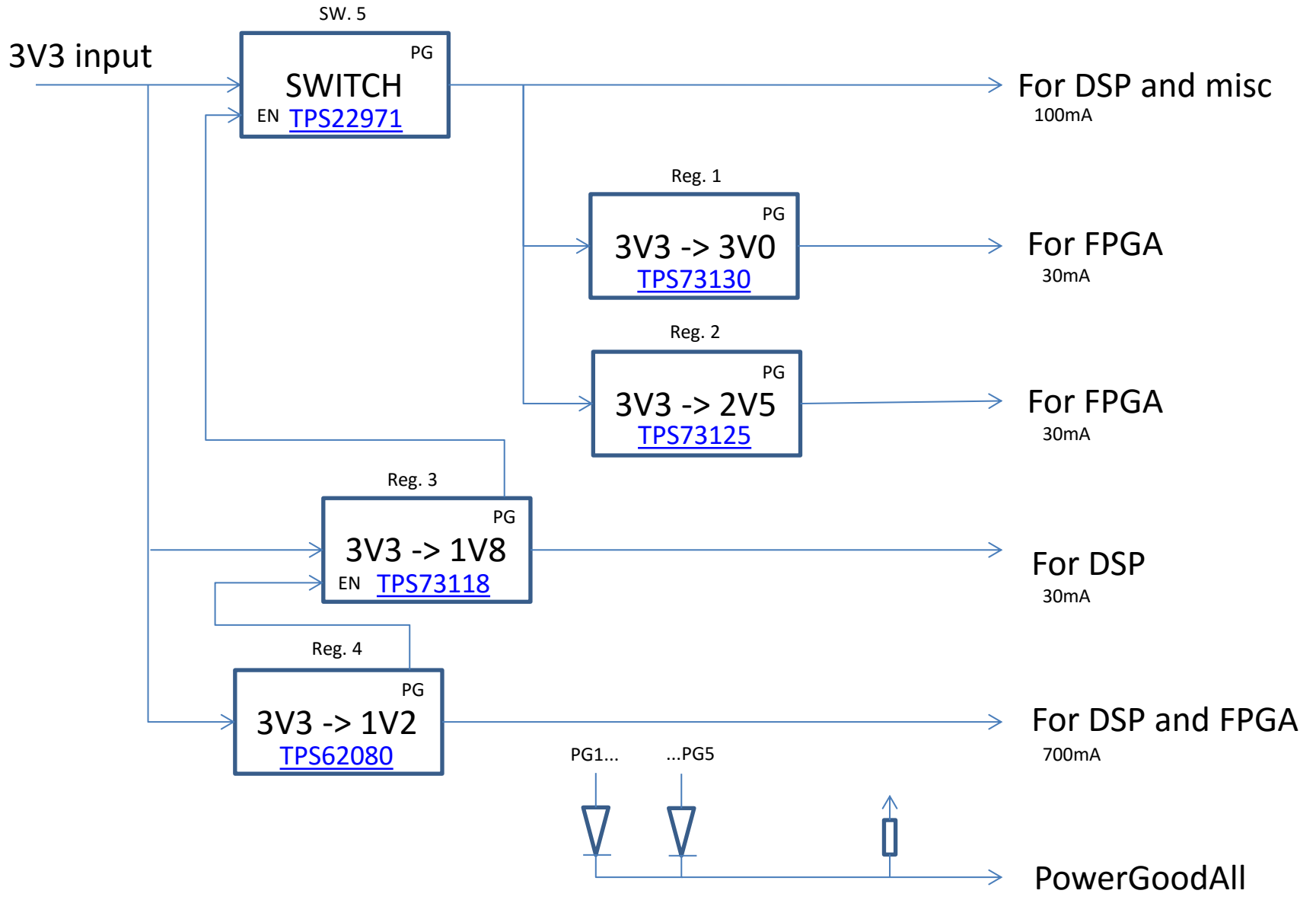


GEM2 Power

(Version 3)



SW. 5

PG

SWITCH

EN [TPS22971](#)

For DSP and misc
100mA

Reg. 1

PG

3V3 -> 3V0

[TPS73130](#)

For FPGA
30mA

Reg. 2

PG

3V3 -> 2V5

[TPS73125](#)

For FPGA
30mA

Reg. 3

PG

3V3 -> 1V8

EN [TPS73118](#)

For DSP
30mA

Reg. 4

PG

3V3 -> 1V2

[TPS62080](#)

For DSP and FPGA
700mA

PG1...

...PG5

PowerGoodAll