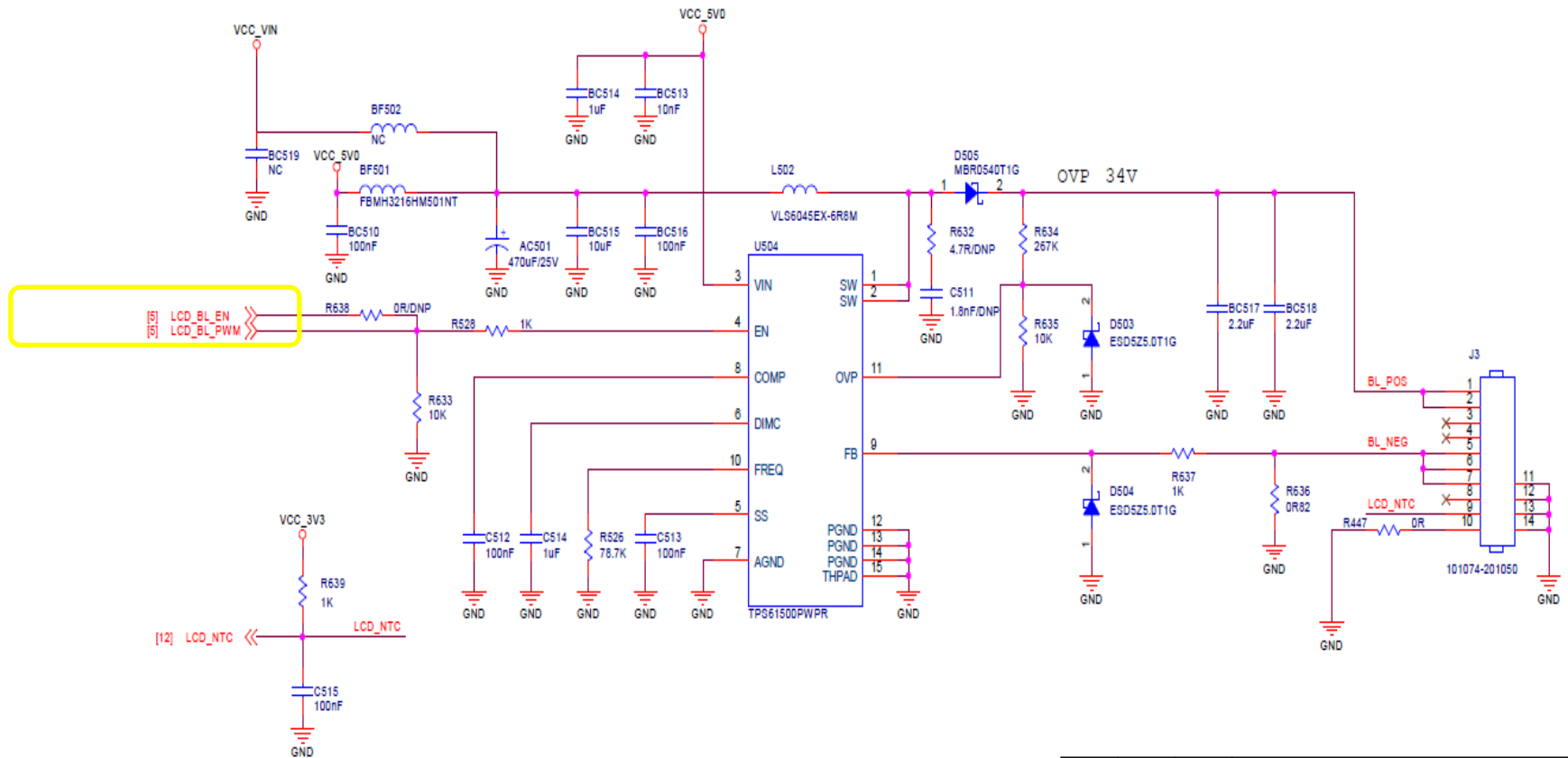
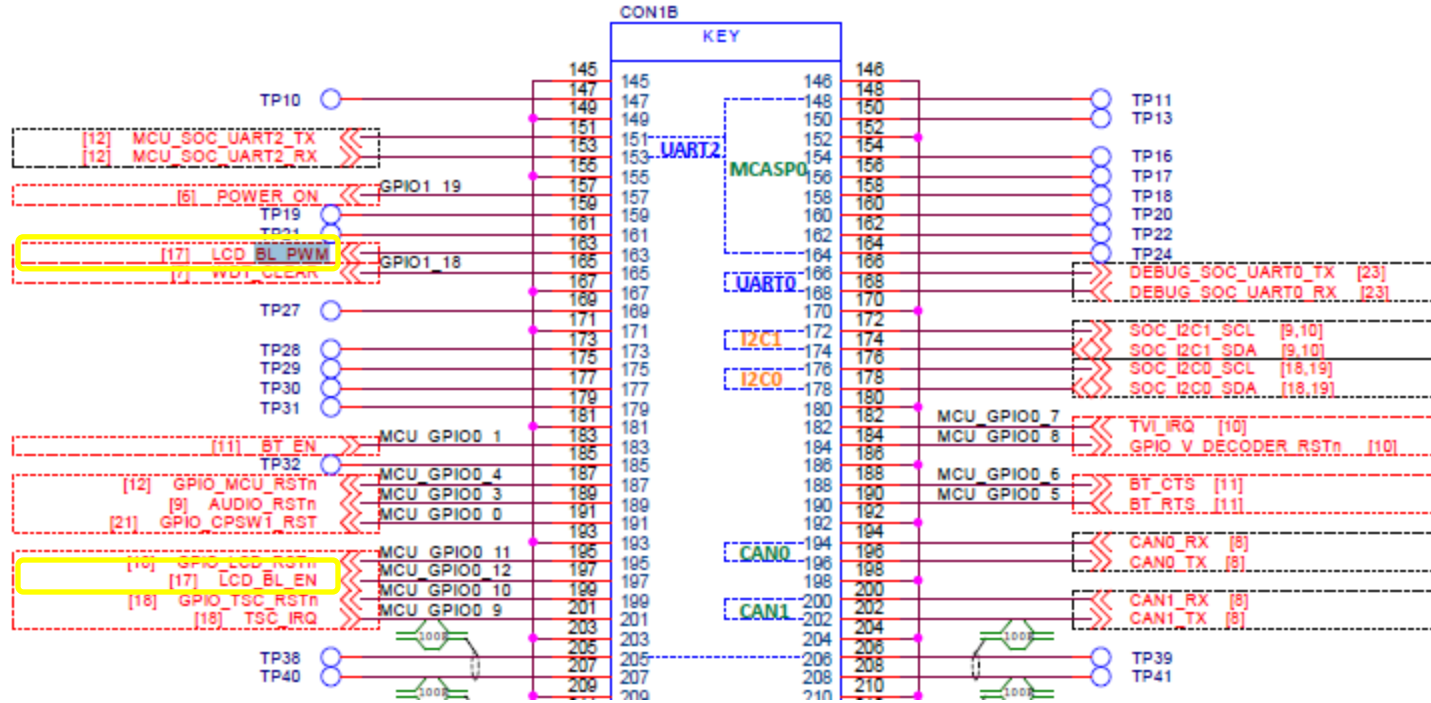


Back Light Control



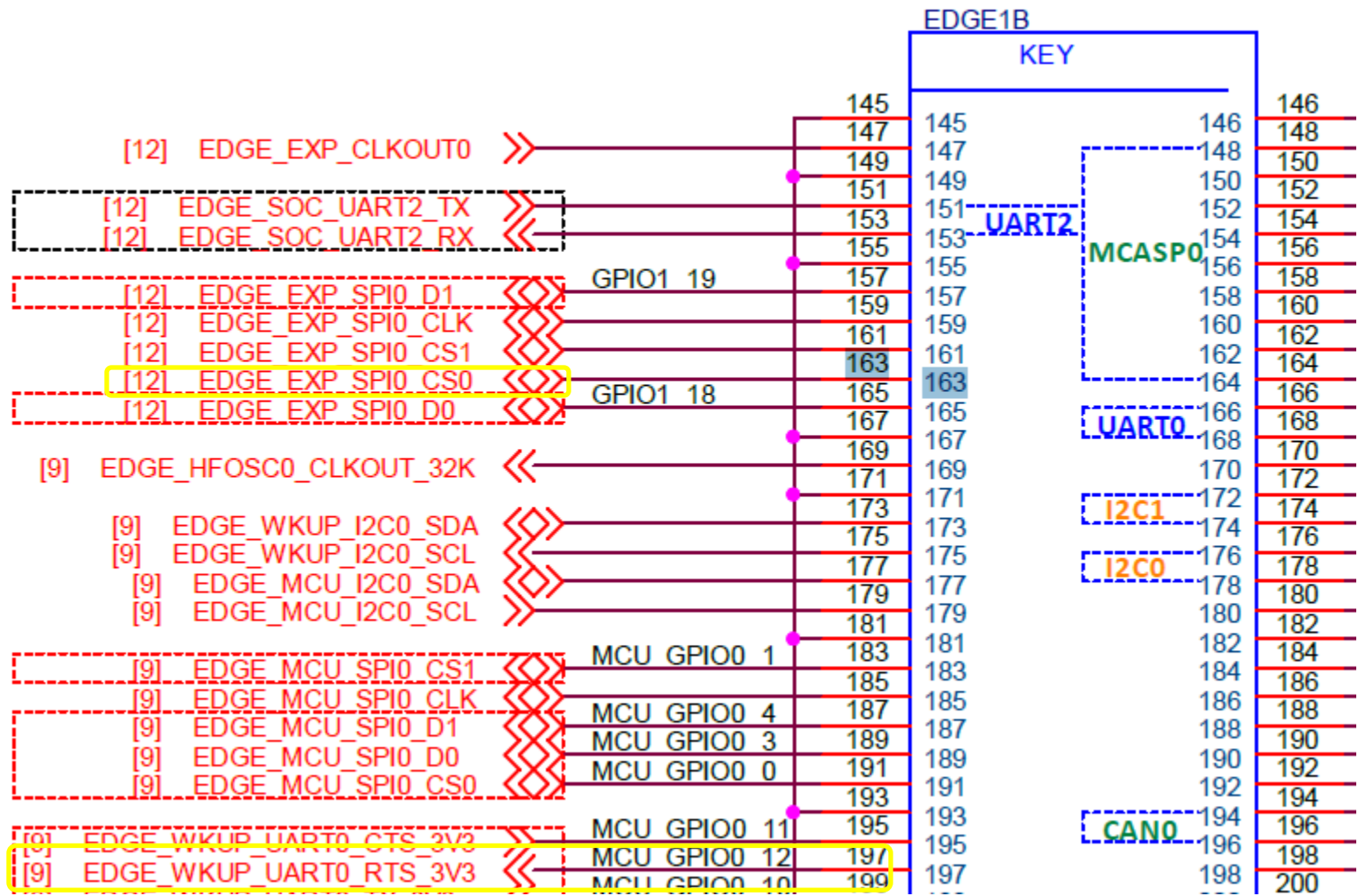
BL_PWM

BL_EN

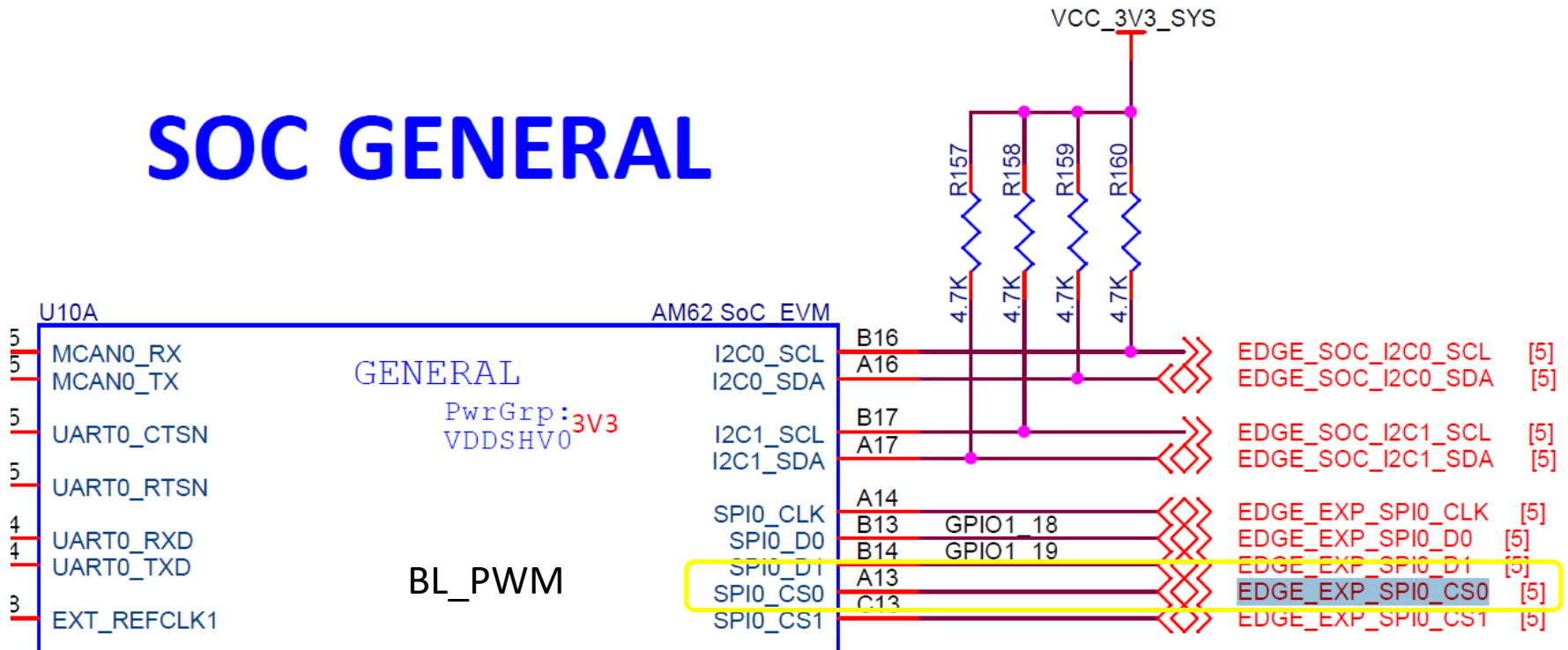


BL_PWM

BL_EN



SOC GENERAL



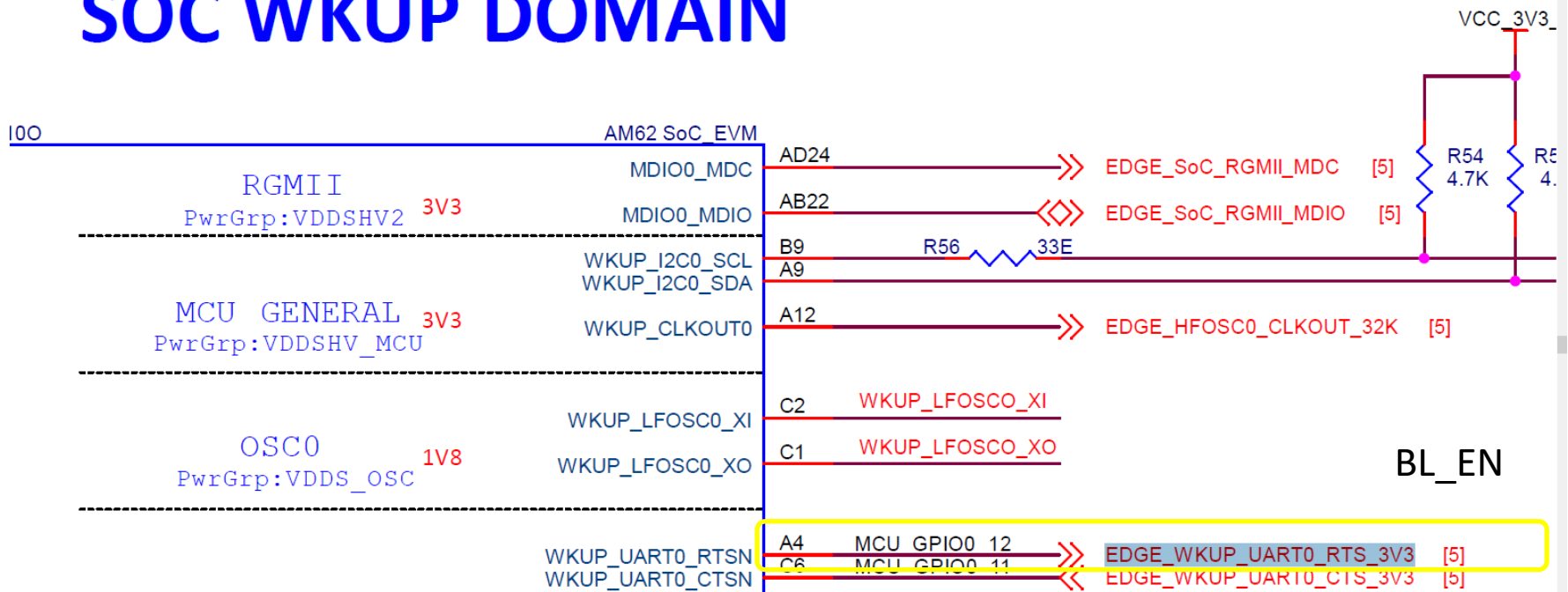
BL_PWM Pin muxing, using SysConfig [epwm]

```

epwm0bl_pins_default: epwm0bl-default-pins {
    pinctrl-single,pins = <
        AM62X_IOPAD(0x01b4, PIN_OUTPUT_PULLUP, 2) /* (A13) SPI0_CS0.EHRPWM0_A */
    >;
};

```

SOC WKUP DOMAIN



BL_EN Pin Muxing

```

&mcu_pmx0 {
...
blen_pins_default: blen-default-pins {
    pinctrl-single,pins = <
        AM62X_MCU_IOPAD(0x0030, PIN_OUTPUT_PULLUP, 0) /* (A4) WKUP_UART0_RTSn */
    >;
};

```