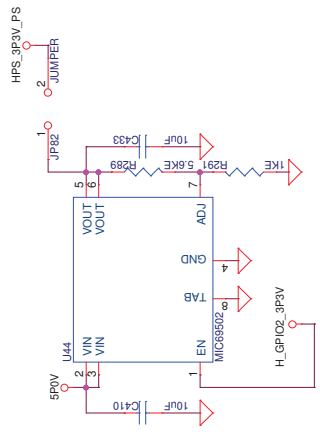


- H\_MPU\_1P1V H\_VDDA\_ADC
- H\_CORE\_1P1V H\_VDD5\_RTC
- H\_DDR2\_1P8V H\_VDD5
- H\_VDIG1\_1P8V H\_GPIOD2\_3P3V
- H\_VDIG2\_1P8V H\_GPIOD1\_3P3V
- H\_1P8V\_USB H\_3P3V\_USB



Title		HOST PROCESSOR PMIC	
Size	A3	Document Number	1
Date:	Wednesday, July 20, 2016	Sheet	2 of 26