

RMII ADD ON BOARD

TABLE OF CONTENTS

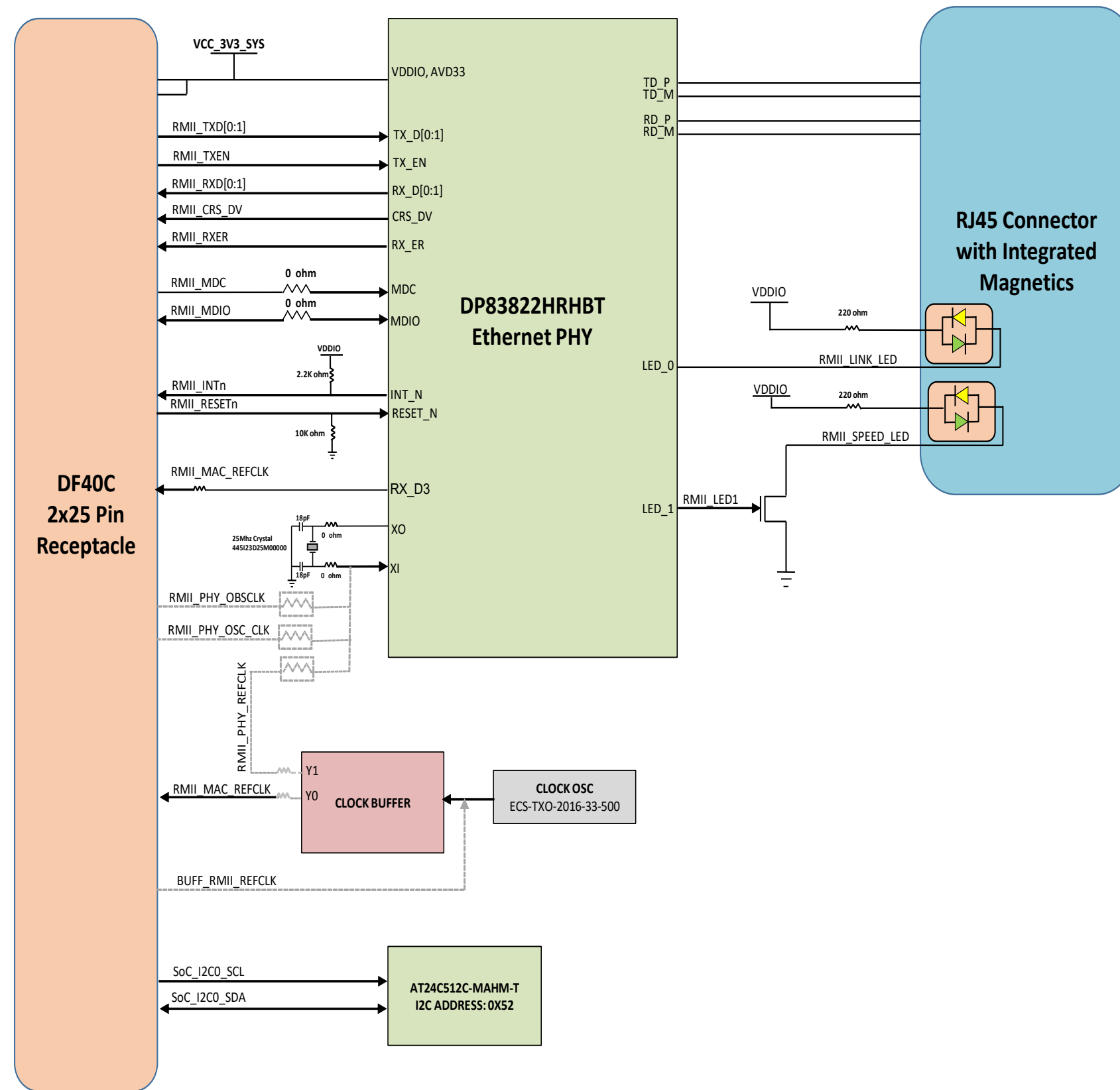
| PAGE | CONTENTS |
|------|---------------------------------|
| 01 | TABLE OF CONTENTS |
| 02 | BLOCK DIAGRAM RMII ADD ON BOARD |
| 03 | RMII PHY |

| | |
|------------|------|
| REV | E1 |
| VER | 0.03 |

REVISION HISTORY

| VER # | DATE | DESCRIPTION OF CHANGES | AUTHOR | REVIEWED BY | APPROVED BY |
|-------|--------------|---|---------------------|-------------|-------------|
| 0.01 | 21 SEPT 2022 | Created this draft schematics from AM62A SK EVM Ethernet daughter card design to meet modular approach requirement for RMII2. | Mistral Design Team | | |
| 0.02 | 26 SEPT 2022 | 1. Updated PHY strapping & RMII clocking scheme 2. Added board block diagram 3. Internal review comments updated | Mistral Design Team | | |
| 0.03 | 06 OCT 2022 | Updated RMII Master & Slave clocking strategy | Mistral Design Team | | |
| | | | | | |

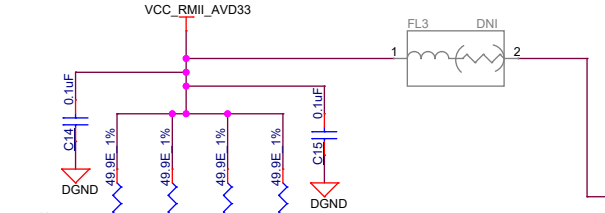
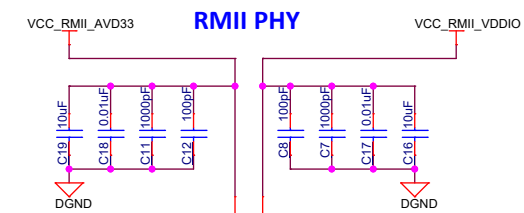
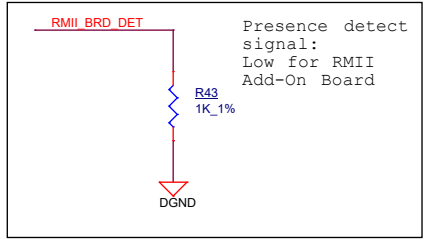
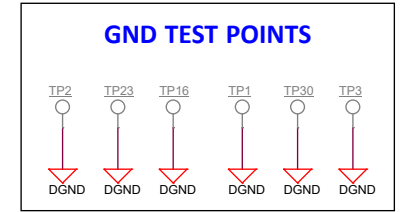
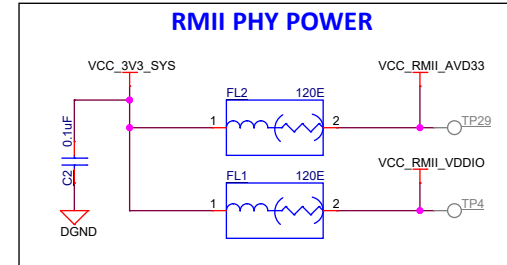
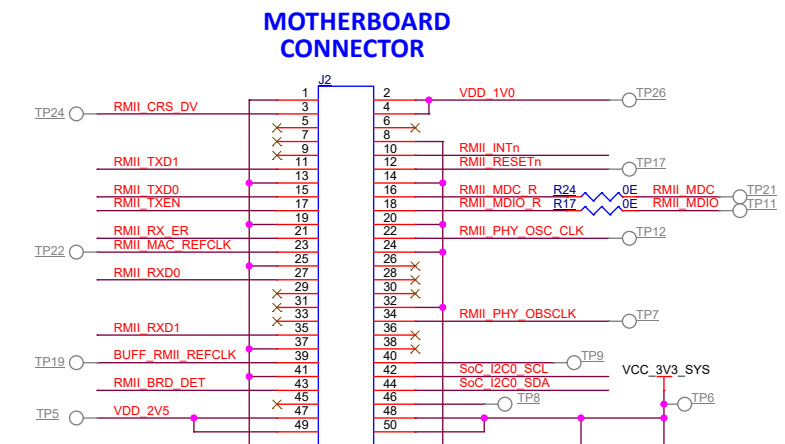
BLOCK DIAGRAM - RMII ADD ON BOARD



Designed for TI by Mistral Solutions Pvt Ltd



| | | |
|---|-------------------|---------|
| Title: BLOCK DIAGRAM- RMII ADD ON BOARD | | |
| Size: C | RMII ADD ON BOARD | Rev: E1 |
| Date: Friday, October 07, 2022 | Sheet 2 of 3 | |



RJ45 CONNECTOR WITH INTEGRATED MAGNETICS

