

BEAGLEPLAY- AM6254

DC_DC AND PMIC



File: DC_DC AND PMIC.kicad_sch

SoC POWER



File: SoC POWER.kicad_sch

SoC_DCAP



File: SoC_DCAP.kicad_sch

SoC DDR AND DDR4



File: SoC DDR AND DDR4.kicad_sch

SoC SDIO & eMMC AND SD CARD



File: SoC SDIO & eMMC AND SD CARD.kicad_sch

GIGABIT ETHERNET



File: GIGABIT ETHERNET.kicad_sch

SINGLE PAIR EHTERNET



File: SINGLE PAIR EHTERNET.kicad_sch

SoC_DDS & HDMI



File: SoC_DDS & HDMI.kicad_sch

SoC GPIO 3.3V



File: SoC GPIO 3v3.kicad_sch

SoC_GPIO 1.8V & BOOTSTRAP



File: SoC_GPIO 1V8 & BOOTSTRAP.kicad_sch

SoC USB & USB_A & USB_C



File: SoC USB & USB_A & USB_C.kicad_sch

SoC RESET & MCU



File: SoC RESET & MCU.kicad_sch

SoC CSI



File: SoC CSI .kicad_sch

RTC & ID & DEBUG



File: RTC & ID & DEBUG.kicad_sch

WIFI WL1807MOD



File: WIFI WL1807MOD.kicad_sch

BUTTONS AND LEDs



File: BUTTONS AND LEDs.kicad_sch

GROVE & QWIC & MICROBUS & ADC



File: GROVE & QWIC & MICROBUS & ADC.kicad_sch

Sheet: /
File: Play.kicad_sch

Title:

Size: A4

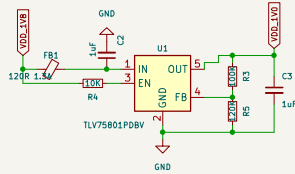
Date:

Rev:

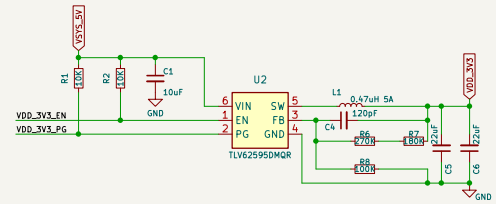
KiCad E.D.A. 8.0.0

Id: 1/18

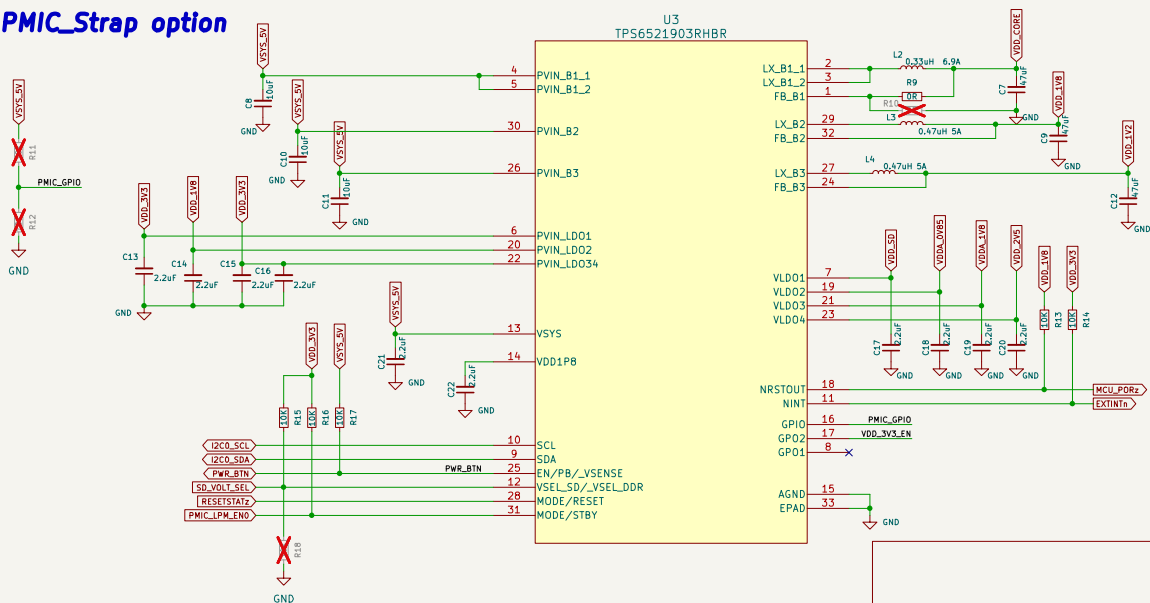
LDO 1V0



DCDC 3V3

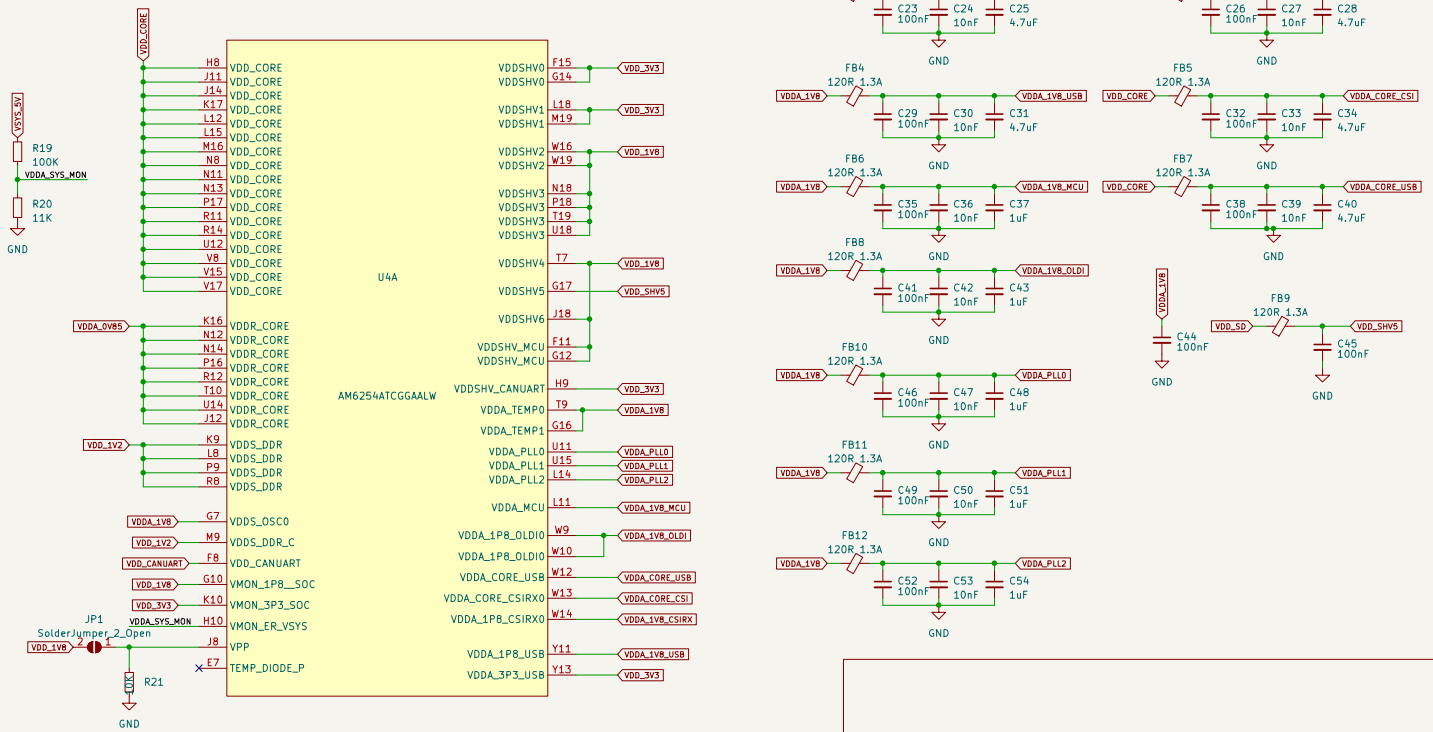


PMIC_Strip option



| | | |
|--------------------------------|-------|----------|
| Sheet: /DC_DC AND PMIC/ | | |
| File: DC_DC AND PMIC.kicad_sch | | |
| Title: | | |
| Size: A4 | Date: | Rev: |
| KiCad E.D.A. 8.0.0 | | Id: 1/18 |

SoC POWER



Sheet: /SoC POWER/
File: SoC POWER.kicad_sch

Title:

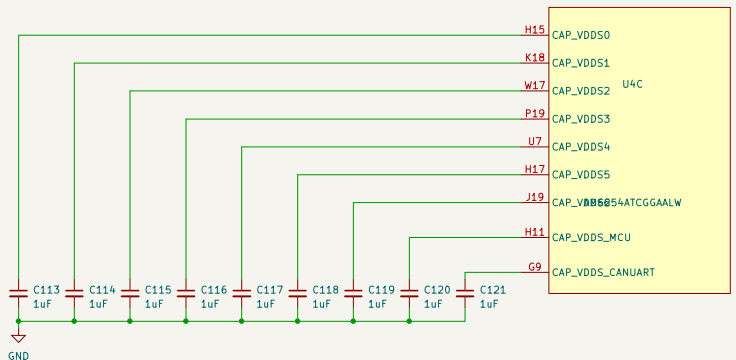
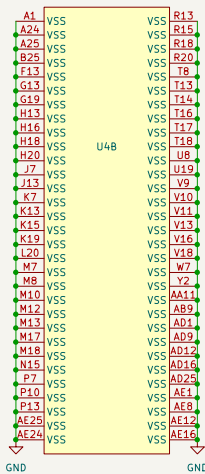
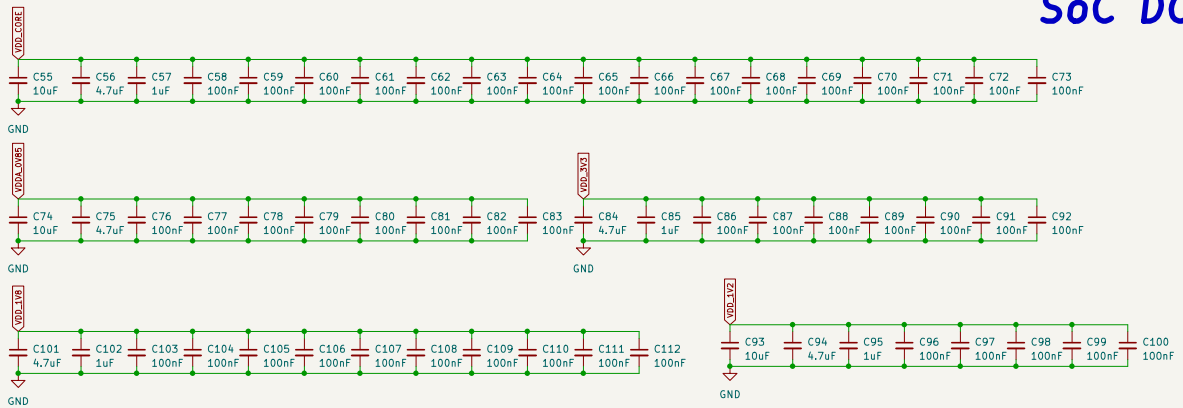
Size: A4
KiCad E.D.A. 8.0.0

Date:

Rev:

Id: 1/18

SoC DCAPs

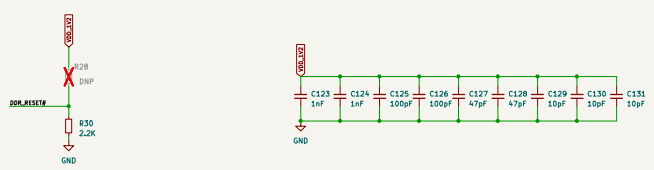
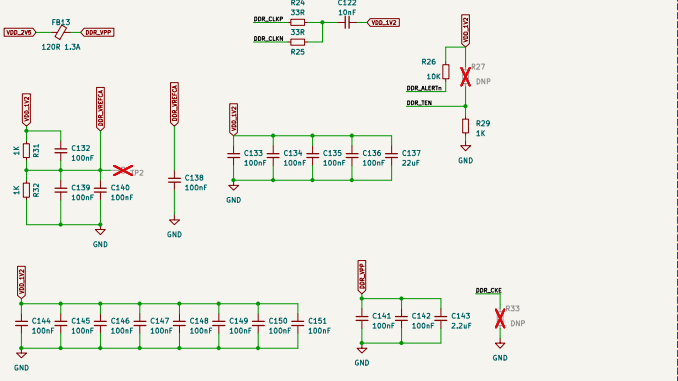
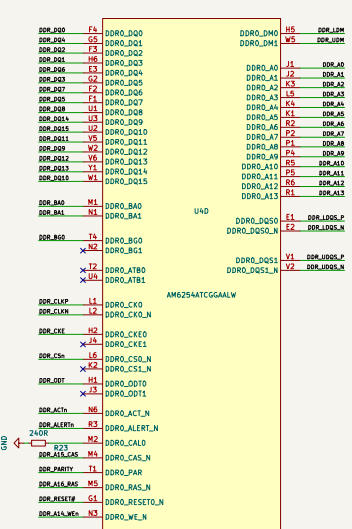
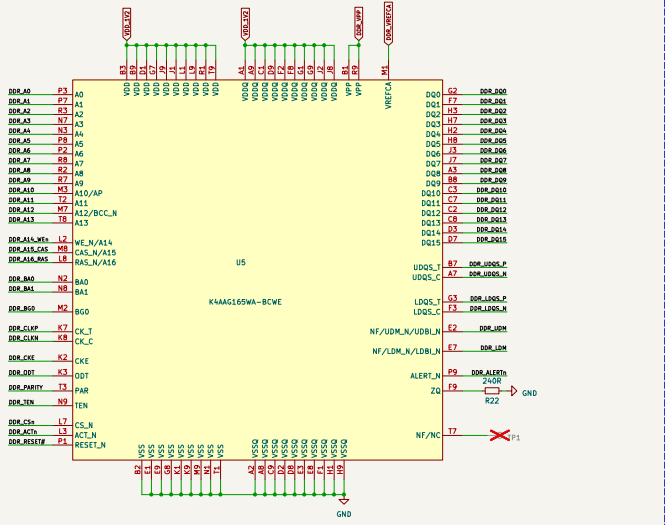


Sheet: /SoC_DCAP/
 File: SoC_DCAP.kicad_sch

| | | |
|--------------------|-------|-------------|
| Title: | | Rev: |
| Size: A4 | Date: | Id: 1/18 |
| KiCad E.D.A. 8.0.0 | | |

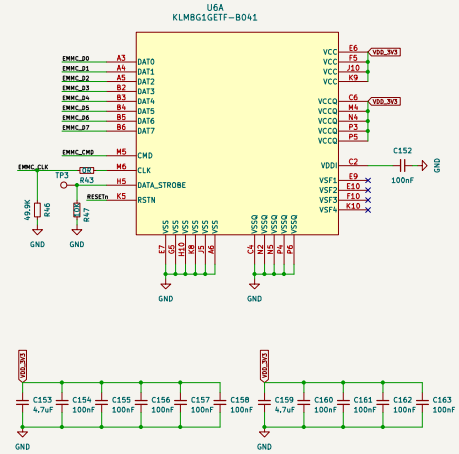
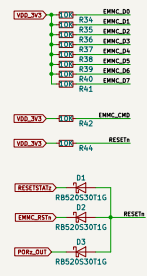
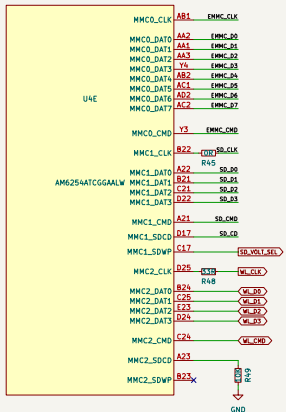
DDR4

SoC DDR CONTROLLER

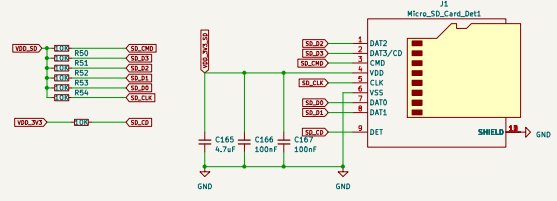
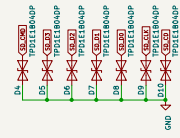
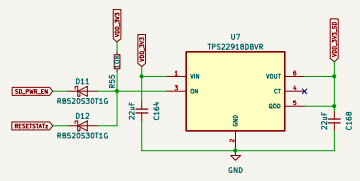


| | | |
|----------------------------------|-------|----------|
| Sheet: /SoC DDR AND DDR4/ | | |
| File: SoC DDR AND DDR4.kicad_sch | | |
| Title: | | |
| Size: A3 | Date: | Rev: |
| KiCad E.P.A. 8.0.0 | | Id: 1/18 |

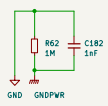
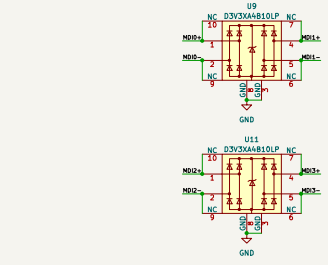
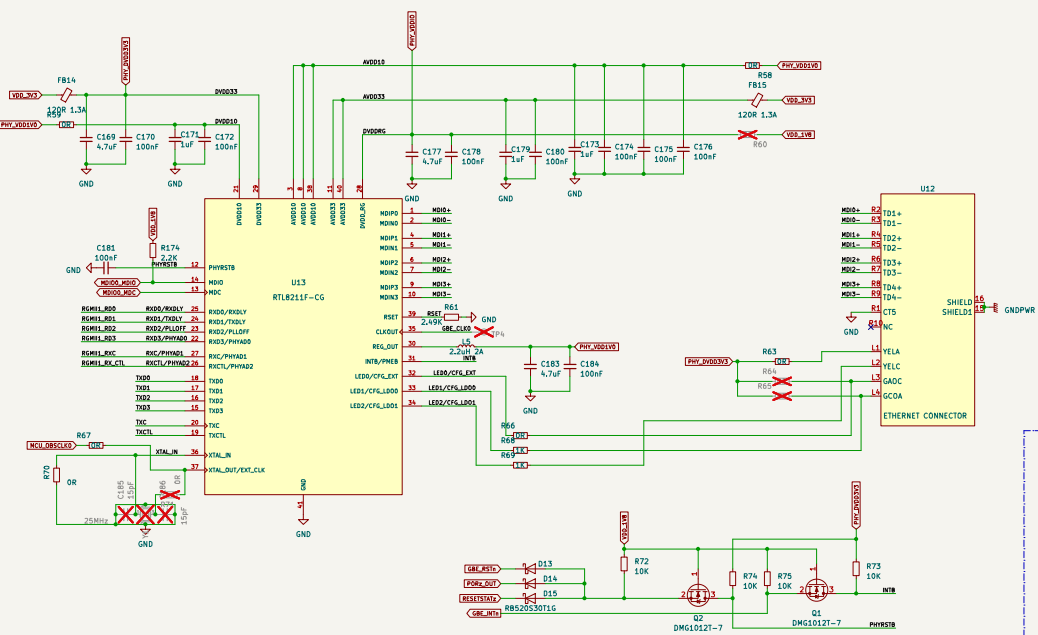
eMMC



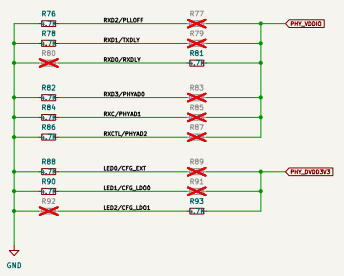
MICRO SD CARD



GIGABIT ETHERNET



Strap options

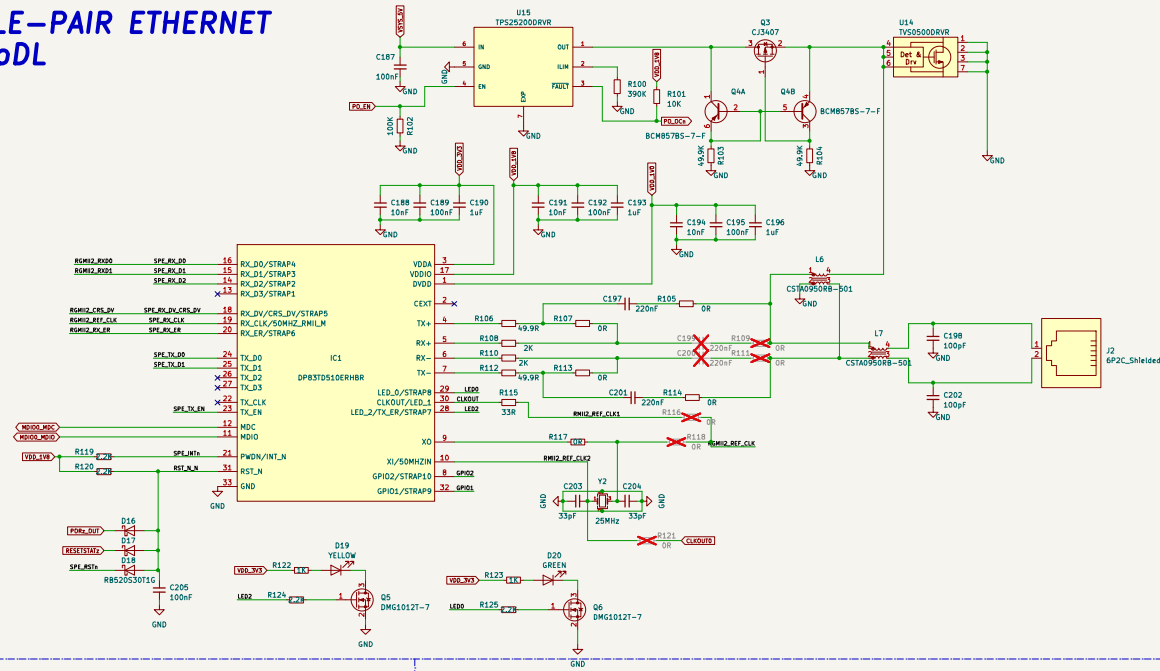


SoC MAC 1.8

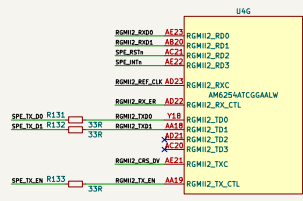
| | | | |
|-----|--------------|------|--------------|
| U13 | RGMIH_RXD0 | A517 | RGMIH_RXD0 |
| | RGMIH_RXD1 | A517 | RGMIH_RXD1 |
| | RGMIH_RXD2 | A516 | RGMIH_RXD2 |
| | RGMIH_RXD3 | A515 | RGMIH_RXD3 |
| | RGMIH_RXC | A517 | RGMIH_RXC |
| | RGMIH_RX_CTL | A517 | RGMIH_RX_CTL |
| | RGMIH_TXD0 | A520 | RGMIH_TXD0 |
| | RGMIH_TXD1 | A520 | RGMIH_TXD1 |
| | RGMIH_TXD2 | A518 | RGMIH_TXD2 |
| | RGMIH_TXD3 | A518 | RGMIH_TXD3 |
| | RGMIH_TXC | A519 | RGMIH_TXC |
| | RGMIH_TX_CTL | A519 | RGMIH_TX_CTL |

PLACE CLOSE TO SoC

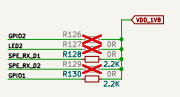
10BASE-T1 SINGLE-PAIR ETHERNET WITH PoDL



SoC MAC 1.8V

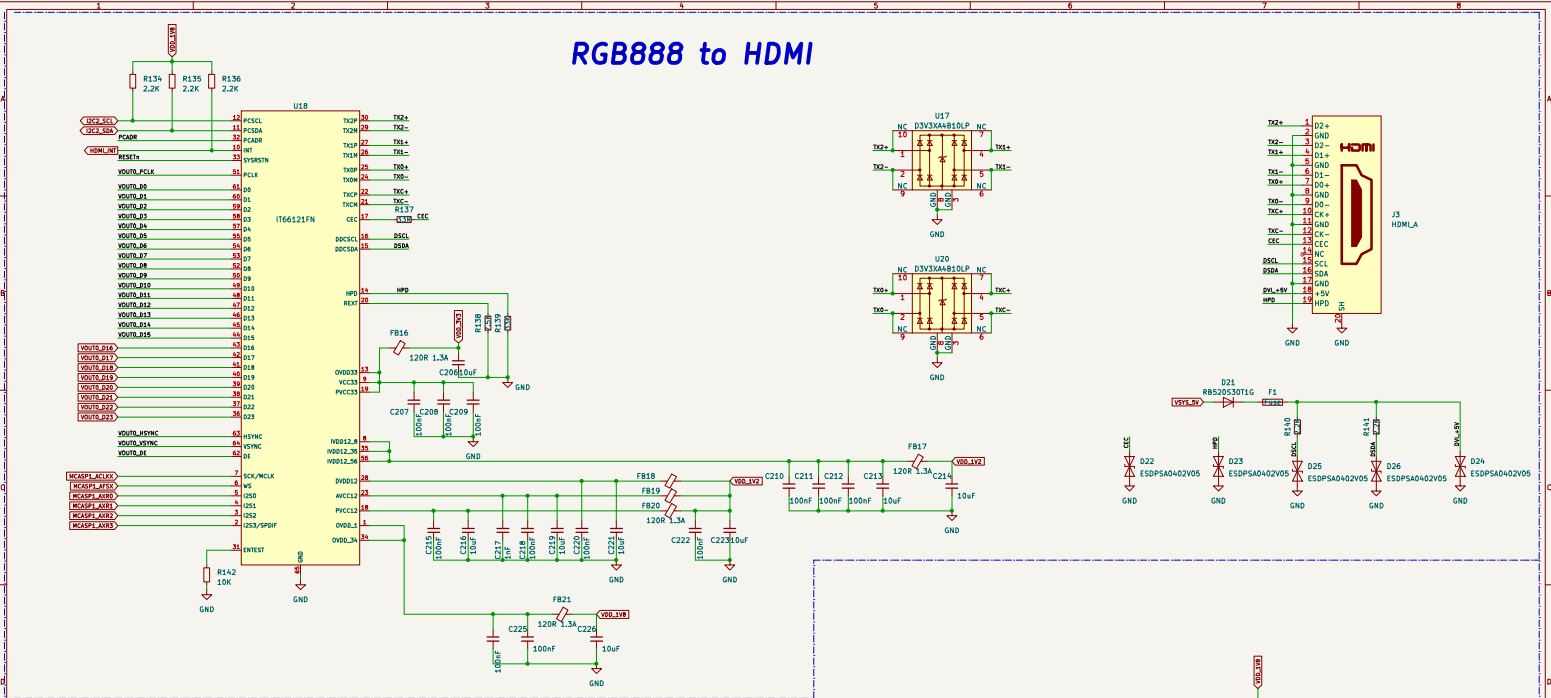


STRAP OPTIONS



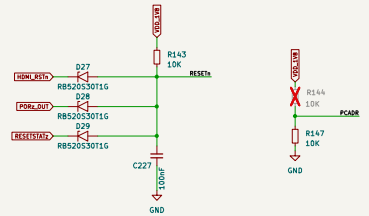
| | | | |
|--------------------------------------|-------|----------|--|
| Sheet: /SINGLE PAIR ETHERNET/ | | Date: | |
| File: SINGLE PAIR ETHERNET.kicad_sch | | Rev: | |
| Title: | | Id: 1/18 | |
| Sheet: 1 of 3 | Date: | Rev: | |
| KiCad E.P.A. 8.0.0 | | Id: 1/18 | |

RGB888 to HDMI



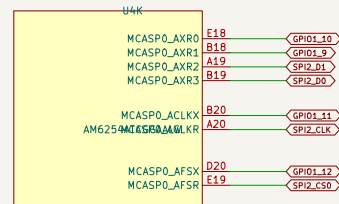
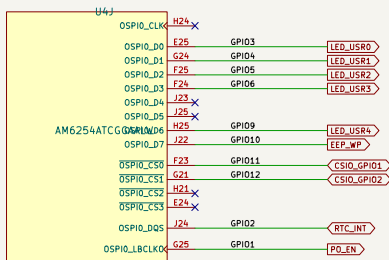
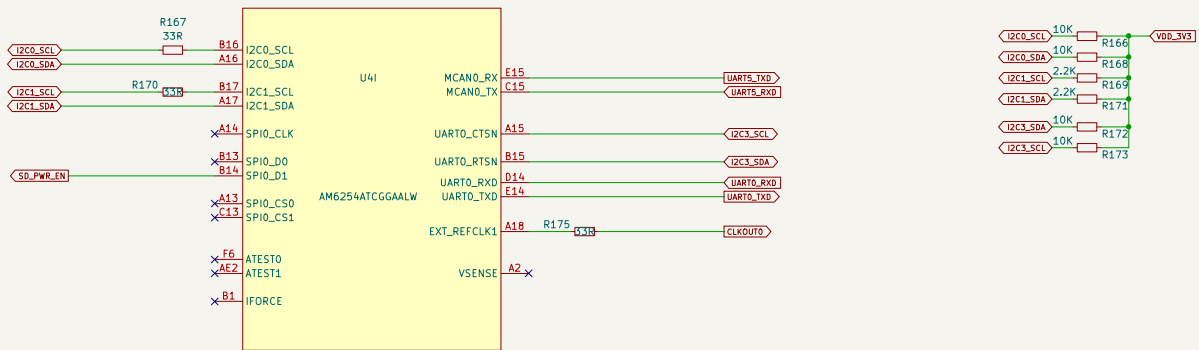
SoC

| | | | | |
|-------------|------|------|--------------|----------------|
| YOUT0_P0 | R145 | U22 | YOUT0_DATA0 | U4H |
| YOUT0_P1 | R146 | U23 | YOUT0_DATA1 | |
| YOUT0_P2 | R147 | U24 | YOUT0_DATA2 | |
| YOUT0_P3 | R148 | U25 | YOUT0_DATA3 | |
| YOUT0_P4 | R149 | U26 | YOUT0_DATA4 | |
| YOUT0_P5 | R150 | U27 | YOUT0_DATA5 | |
| YOUT0_P6 | R151 | U28 | YOUT0_DATA6 | |
| YOUT0_P7 | R152 | U29 | YOUT0_DATA7 | |
| YOUT0_P8 | R153 | U30 | YOUT0_DATA8 | |
| YOUT0_P9 | R154 | U31 | YOUT0_DATA9 | |
| YOUT0_P10 | R155 | U32 | YOUT0_DATA10 | |
| YOUT0_P11 | R156 | U33 | YOUT0_DATA11 | AM625ATCGGAALW |
| YOUT0_P12 | R157 | U34 | YOUT0_DATA12 | |
| YOUT0_P13 | R158 | U35 | YOUT0_DATA13 | |
| YOUT0_P14 | R159 | U36 | YOUT0_DATA14 | |
| YOUT0_P15 | R160 | U37 | YOUT0_DATA15 | |
| YOUT0_P16 | R161 | U38 | YOUT0_DATA15 | |
| YOUT0_PCLK | R162 | AC21 | YOUT0_PCLK | |
| YOUT0_DE | R163 | Y20 | YOUT0_DE | |
| YOUT0_VSYNC | R164 | AC22 | YOUT0_VSYNC | |
| YOUT0_HSYNC | R165 | AB21 | YOUT0_HSYNC | |



Sheet: /SoC_DDS & HDMI/
 File: SoC_DDS & HDMI.kicad_sch
 Title:
 Size: A3 Date:
 KiCad E.P.A. 8.0.0 Rev: 1/18

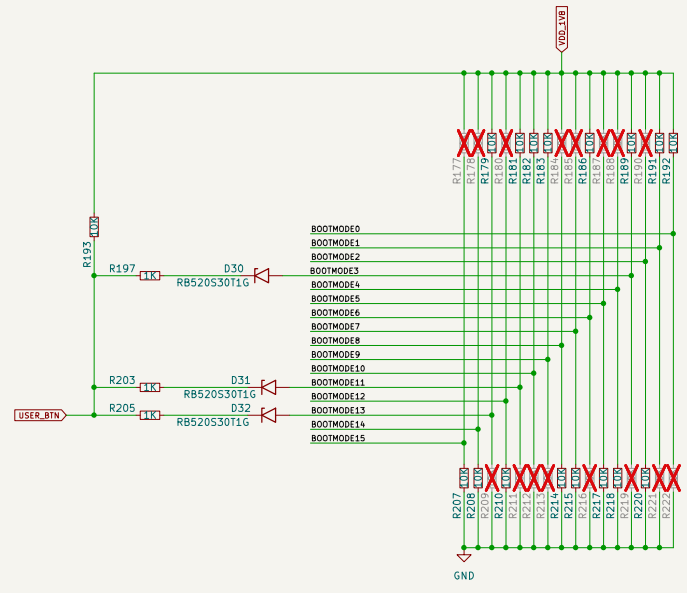
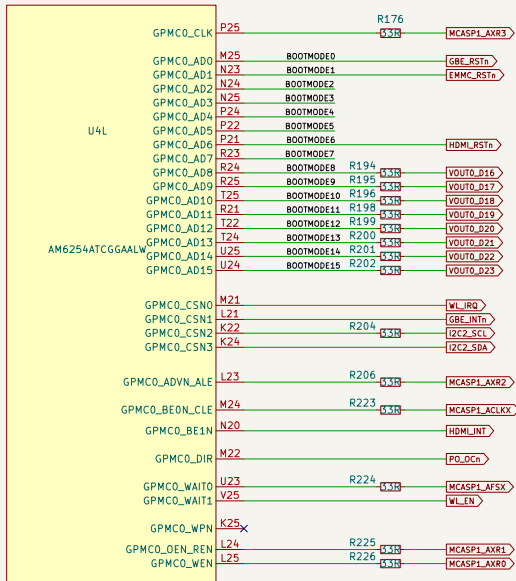
SoC GPIO 3.3V



Sheet: /SoC GPIO 3.3V/
File: SoC GPIO 3v3.kicad_sch

| | | |
|--------------------|-------|----------|
| Title: | | |
| Size: A4 | Date: | Rev: |
| KiCad E.D.A. 8.0.0 | | Id: 1/18 |

SoC GPIO 1.8V

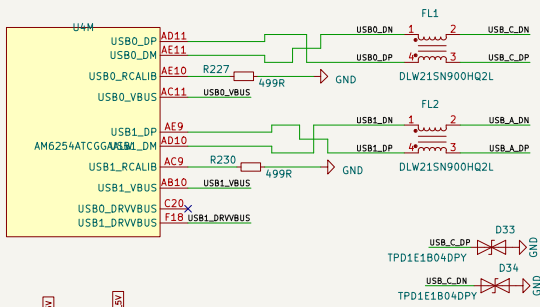


Sheet: /SoC_GPIO 1.8V & BOOTSTRAP/
 File: SoC_GPIO 1V8 & BOOTSTRAP.kicad_sch

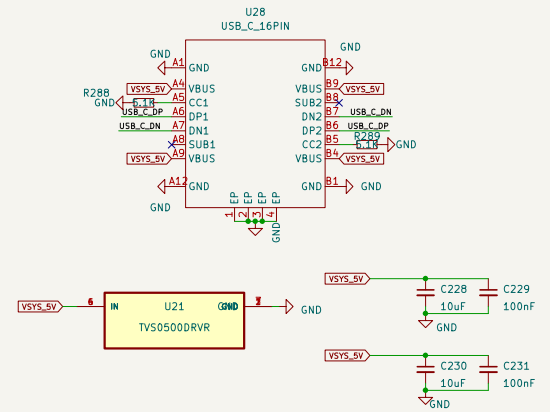
Title:

| | | |
|--------------------|-------|----------|
| Size: A4 | Date: | Rev: |
| KiCad E.D.A. 8.0.0 | | Id: 1/18 |

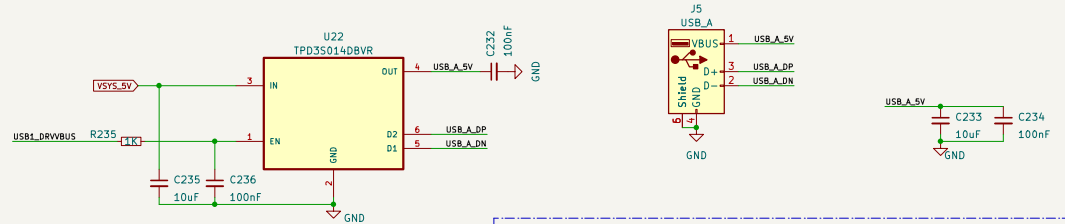
SoC USB



USB TYPE-C



USB TYPE-A



Sheet: /SoC USB & USB_A & USB_C/
 File: SoC USB & USB_A & USB_C.kicad_sch

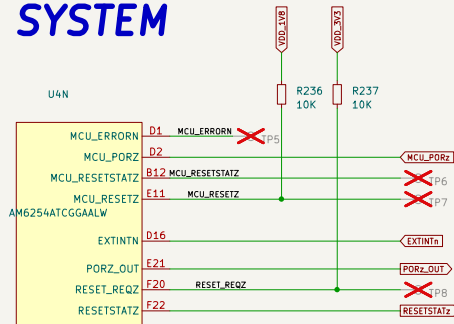
Title:

Size: A4
 KiCad E.D.A. 8.0.0

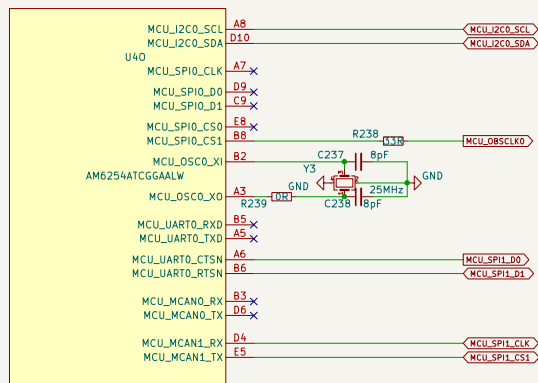
Date:

Rev:
 Id: 1/18

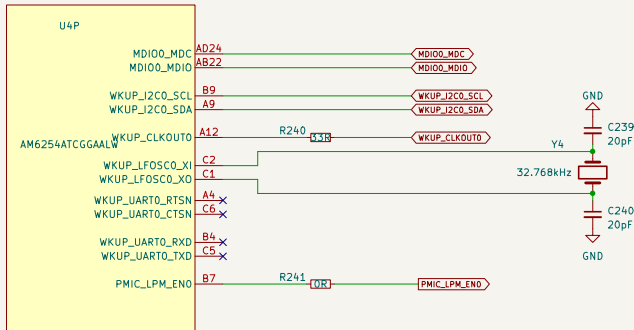
SoC SYSTEM



MCU DOMAIN



WKUP DOMAIN



Sheet: /SoC RESET & MCU/
File: SoC RESET & MCU.kicad_sch

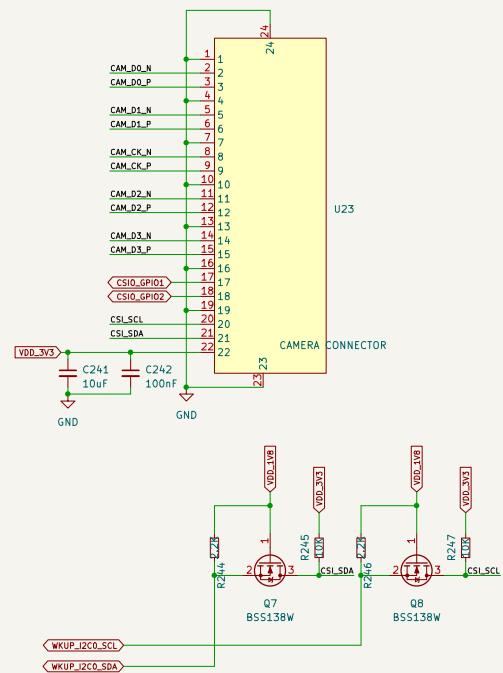
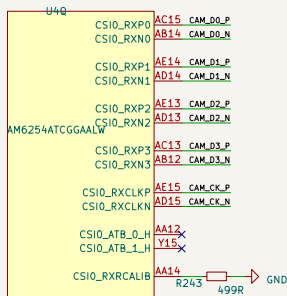
Title:

Size: A4
KiCad E.D.A. 8.0.0

Date:

Rev:
Id: 1/18

CSI INTERFACE



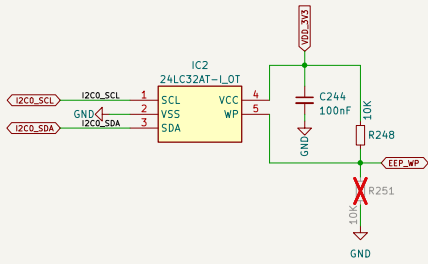
Sheet: /SoC CSI /
File: SoC CSI .kicad_sch

Title:

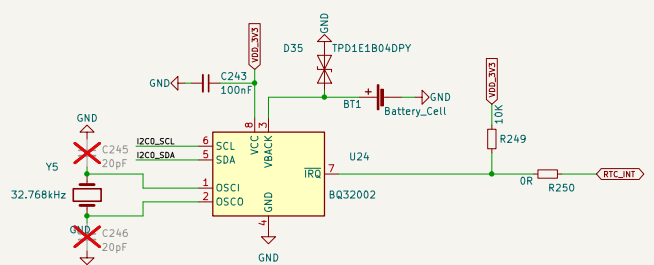
Size: A4 Date:
KiCad E.D.A. 8.0.0

Rev:
Id: 1/18

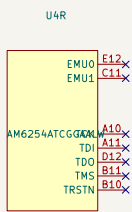
BOARD ID EEPROM 4Kbit



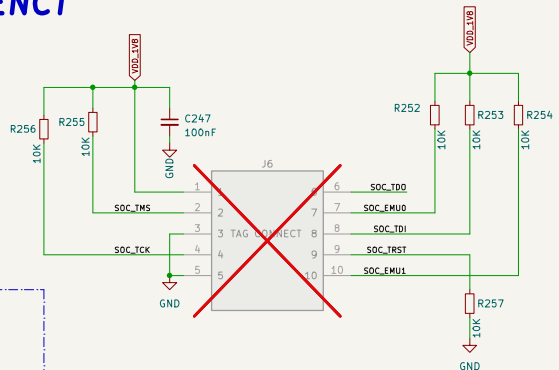
RTC



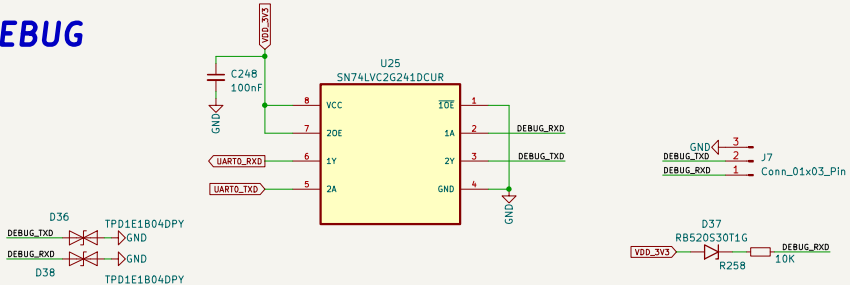
JTAG



TAG CONENCT

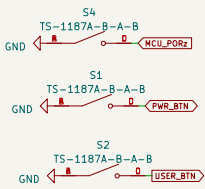


DEBUG

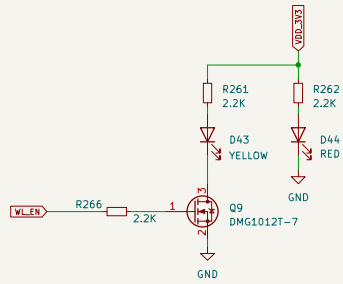
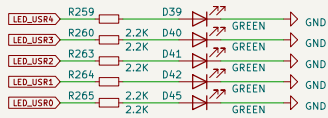


| | | |
|----------------------------------|-------|----------|
| Sheet: /RTC & ID & DEBUG/ | | |
| File: RTC & ID & DEBUG.kicad_sch | | |
| Title: | | |
| Size: A4 | Date: | Rev: |
| KiCad E.D.A. 8.0.0 | | Id: 1/18 |

RESET BUTTON



LEDs



Sheet: /BUTTONS AND LEDS/
File: BUTTONS AND LEDS.kicad_sch

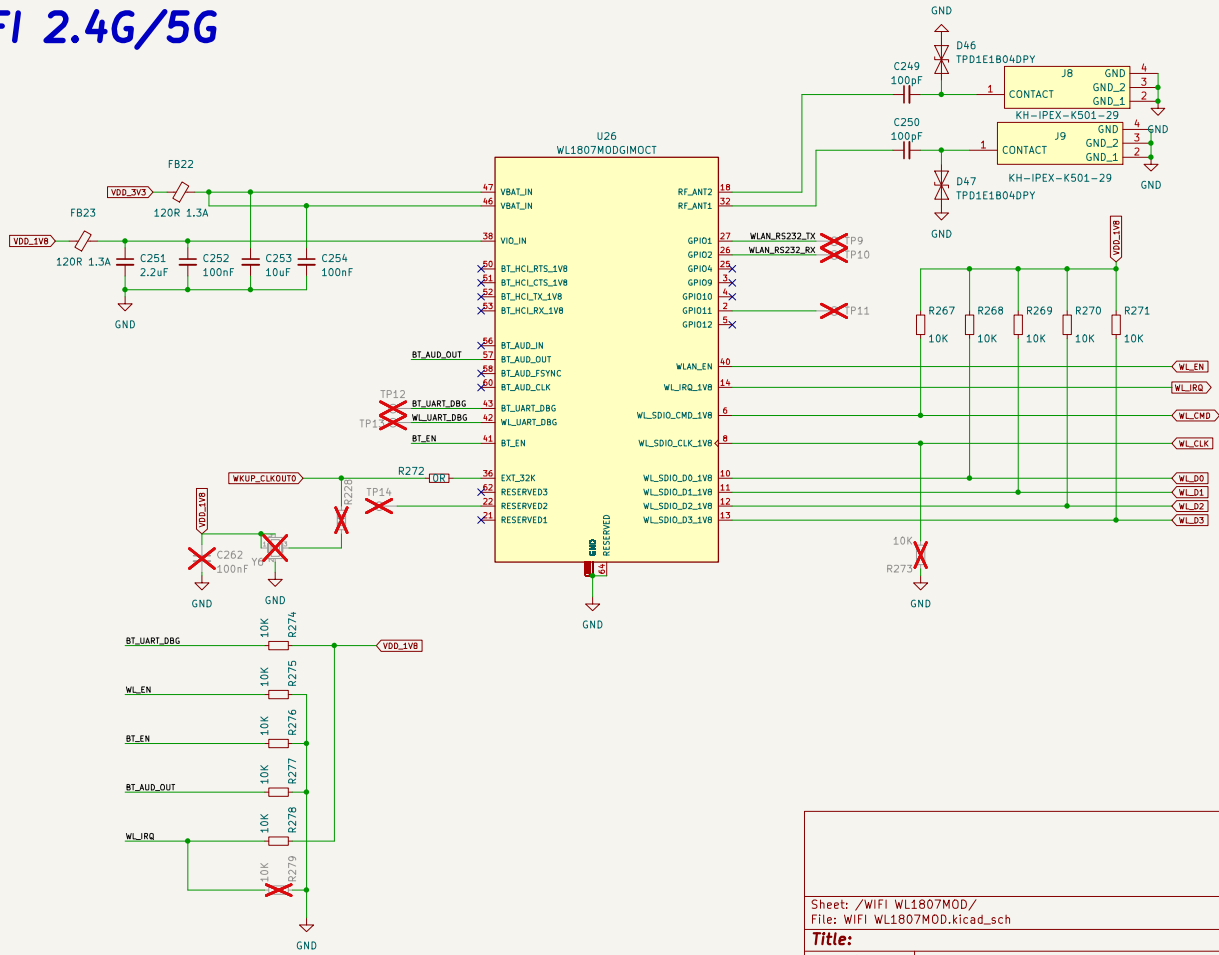
Title:

Size: A4
KiCad E.D.A. 8.0.0

Date:

Rev:
Id: 1/18

WIFI 2.4G/5G



Sheet: /WIFI WL1807MOD/
File: WIFI WL1807MOD.kicad_sch

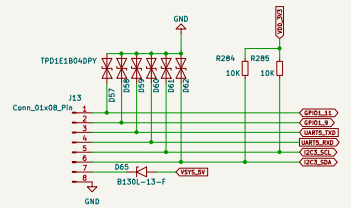
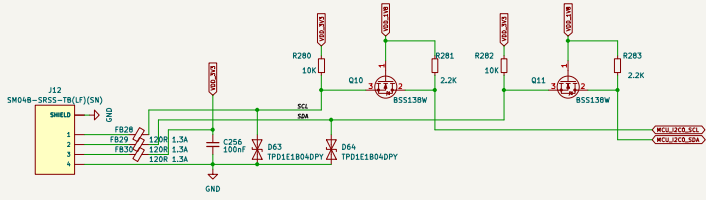
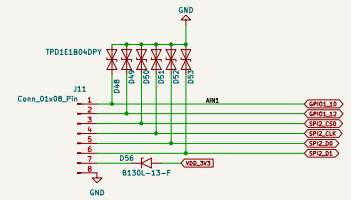
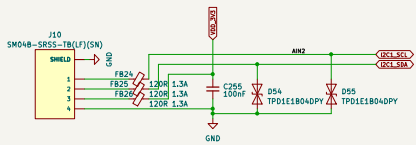
Title:

Size: A4
KiCad E.D.A. 8.0.0

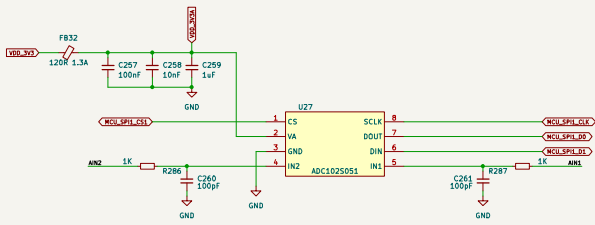
Date:

Rev:
Id: 1/18

EXTERNAL CONNECTORS



ADC



| | | |
|---|-------|----------|
| Sheet: /GROVE & QWIC & MICROBUS & ADC/ | | |
| File: GROVE & QWIC & MICROBUS & ADC.kicad_sch | | |
| Title: | | |
| Size: A3 | Date: | Rev: |
| KiCad E.D.A. 8.0.0 | | Id: 1/18 |