

BEAGLEPLAY- AM6254

DC_DC AND PMIC



File: DC_DC AND PMIC.kicad_sch

SoC POWER



File: SoC POWER.kicad_sch

SoC_DCAP



File: SoC_DCAP.kicad_sch

SoC DDR AND DDR4



File: SoC DDR AND DDR4.kicad_sch

SoC SDIO & eMMC AND SD CARD



File: SoC SDIO & eMMC AND SD CARD.kicad_sch

GIGABIT ETHERNET



File: GIGABIT ETHERNET.kicad_sch

SINGLE PAIR ETHERNET



File: SINGLE PAIR ETHERNET.kicad_sch

SoC_DDS & HDMI



File: SoC_DDS & HDMI.kicad_sch

SoC GPIO 3.3V



File: SoC GPIO 3v3.kicad_sch

SoC_GPIO 1.8V & BOOTSTRAP



File: SoC_GPIO 1V8 & BOOTSTRAP.kicad_sch

SoC USB & USB_A & USB_C



File: SoC USB & USB_A & USB_C.kicad_sch

SoC RESET & MCU



File: SoC RESET & MCU.kicad_sch

SoC CSI



File: SoC CSI .kicad_sch

RTC & ID & DEBUG



File: RTC & ID & DEBUG.kicad_sch

WIFI WL1807MOD



File: WIFI WL1807MOD.kicad_sch

BUTTONS AND LEDs



File: BUTTONS AND LEDs.kicad_sch

GROVE & QWIIC & MICROBUS & ADC



File: GROVE & QWIIC & MICROBUS & ADC.kicad_sch

Sheet: /
File: Play.kicad_sch

Title:

Size: A4

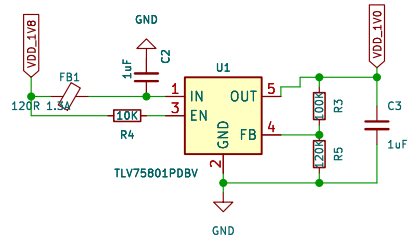
Date:

KiCad E.D.A. 8.0.0

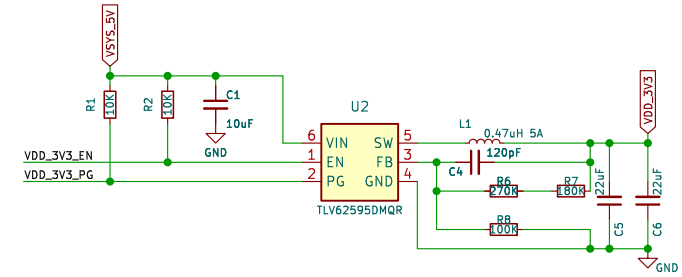
Rev:

Id: 1/18

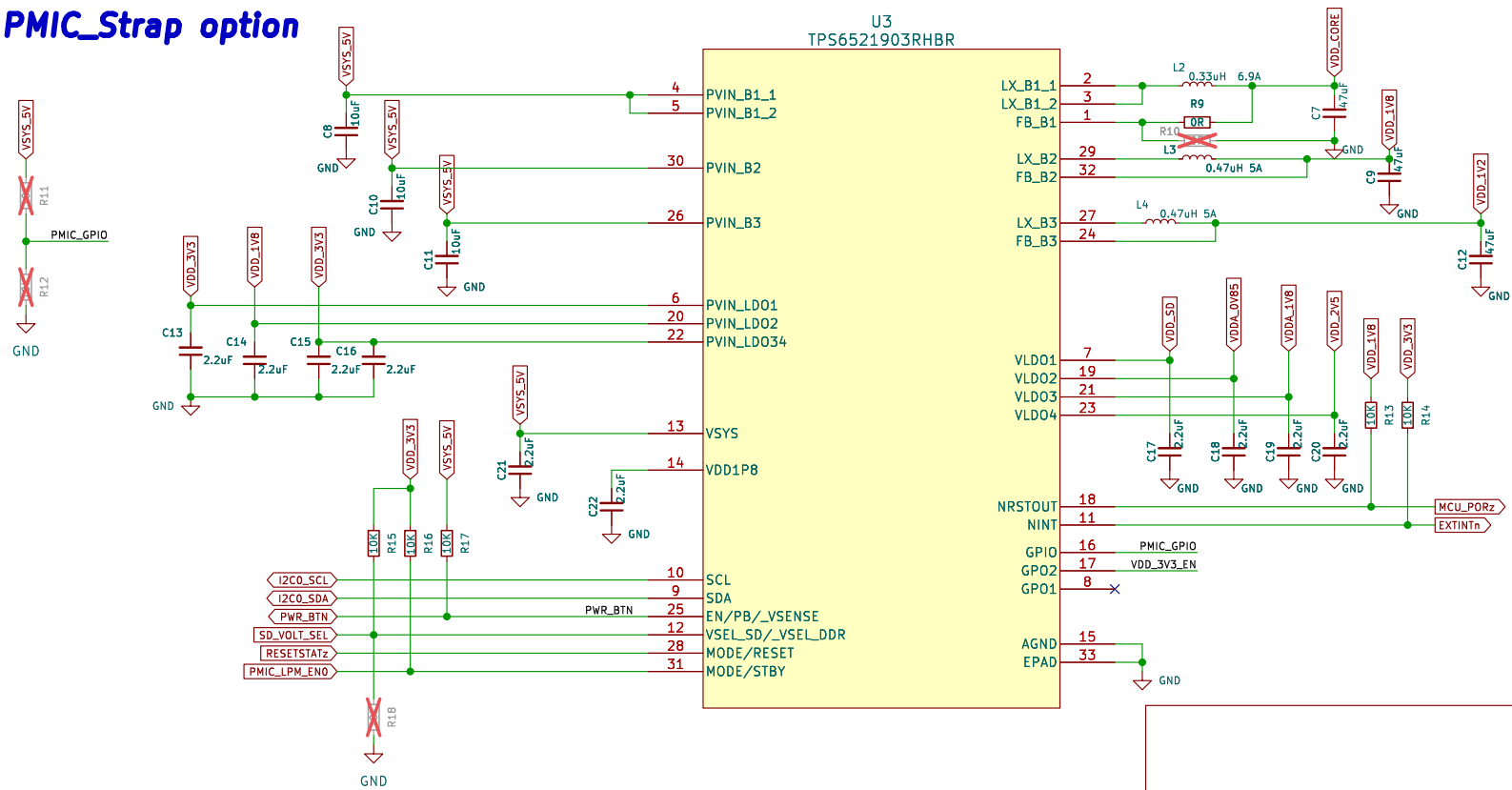
LDO 1V0



DCDC 3V3



PMIC_Strap option



Sheet: /DC_DC AND PMIC/
File: DC_DC AND PMIC.kicad_sch

Title:

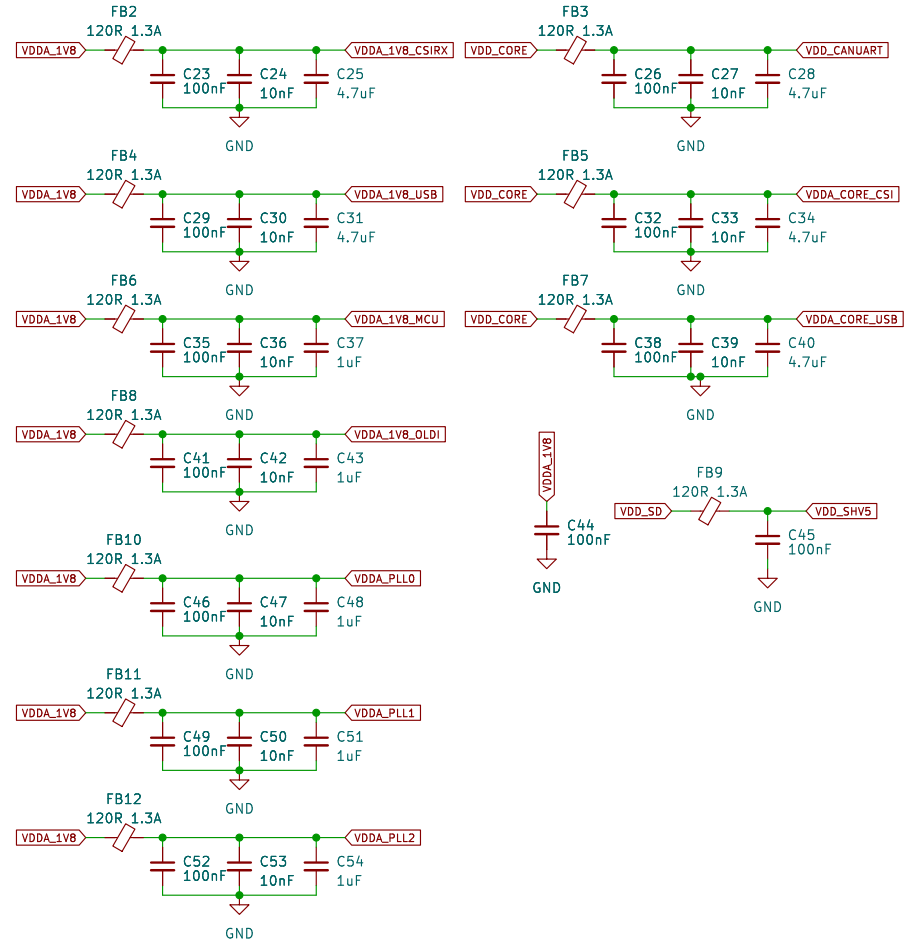
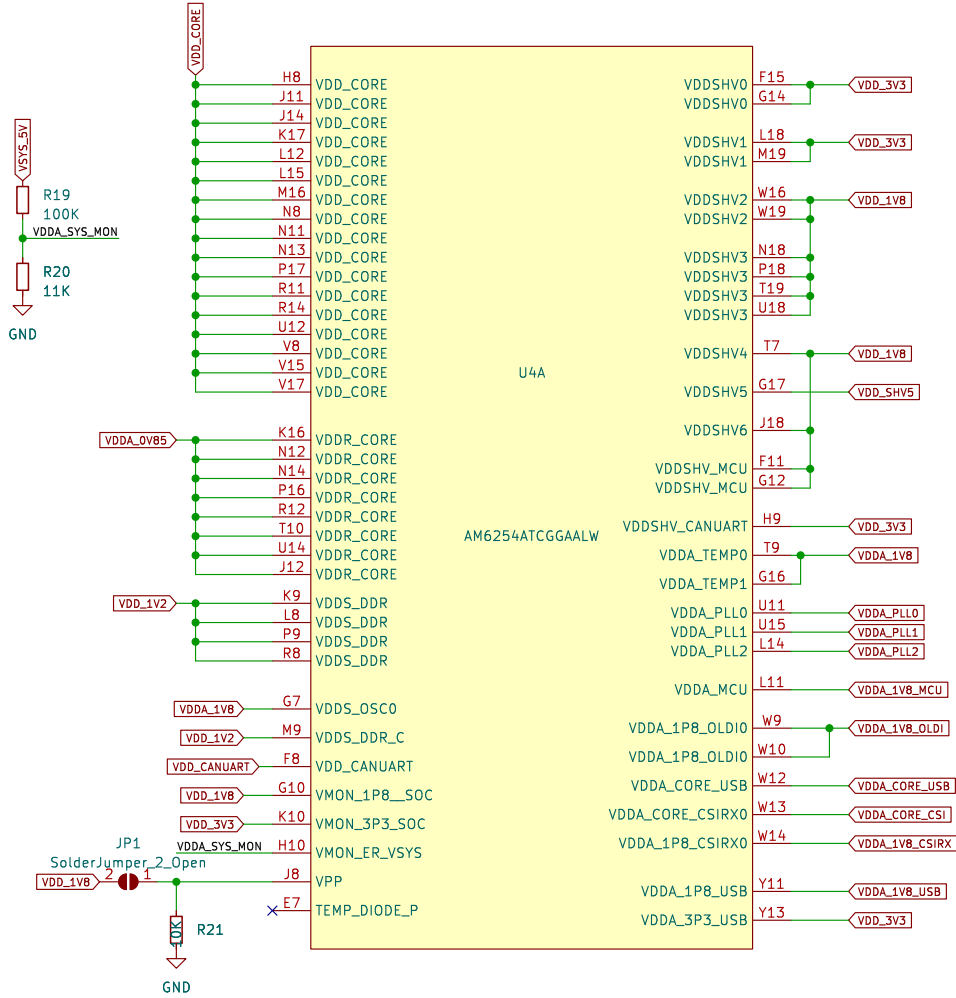
Size: A4
KiCad E.D.A. 8.0.0

Date:

Rev:

Id: 1/18

SoC POWER



Sheet: /SoC POWER/
File: SoC POWER.kicad_sch

Title:

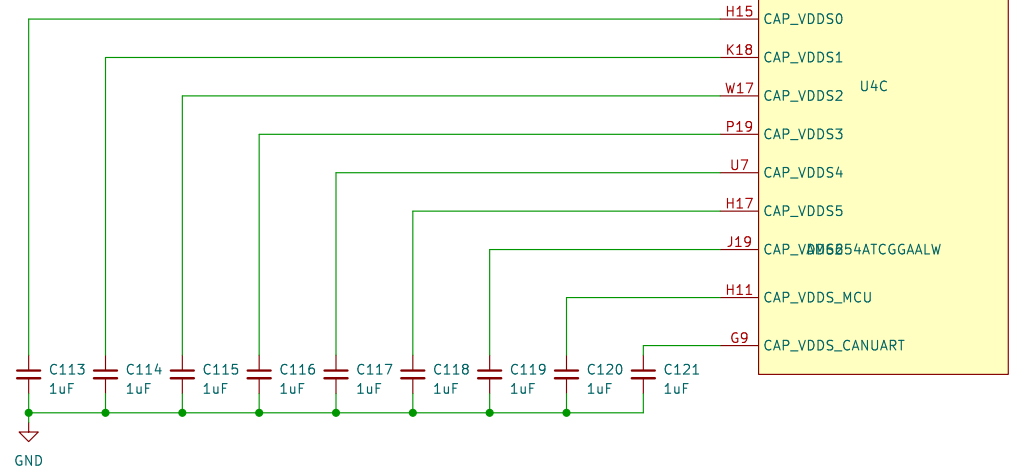
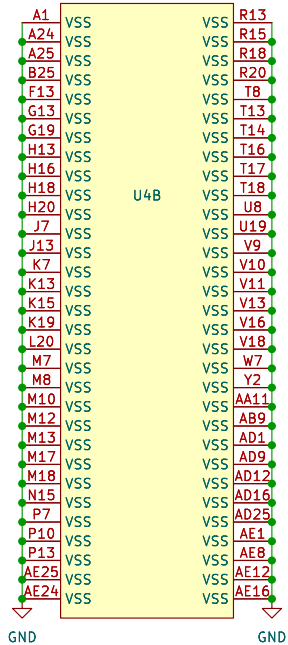
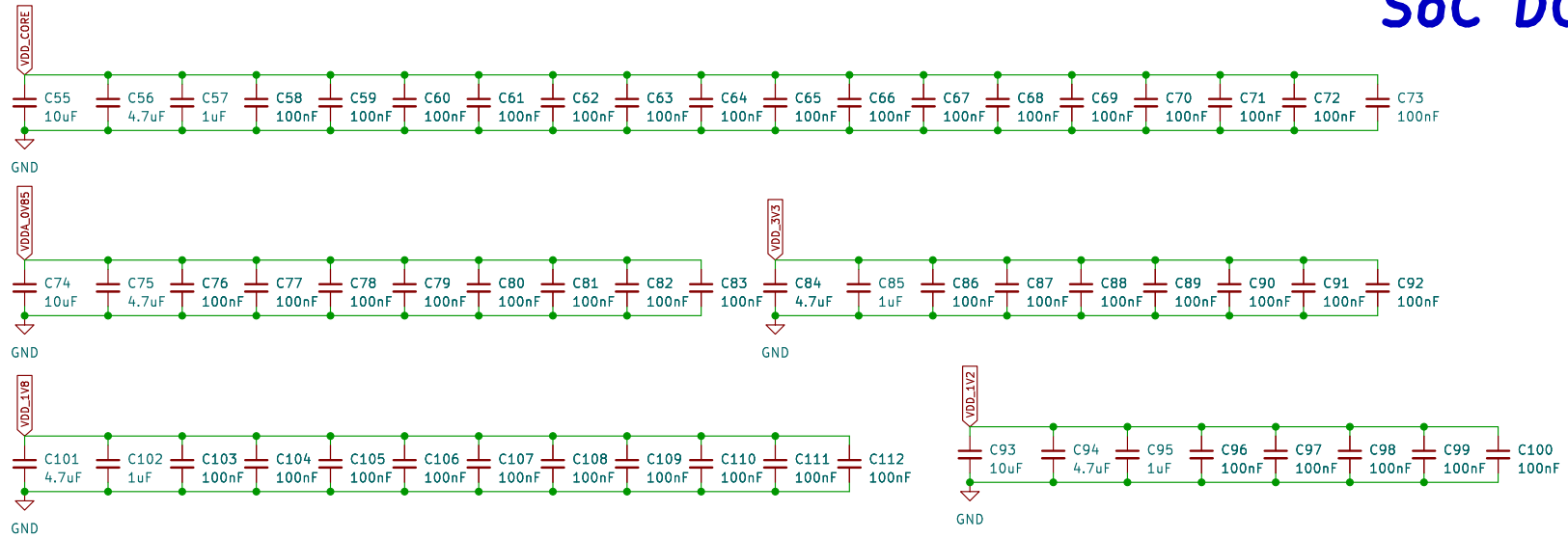
Size: A4
KiCad E.D.A. 8.0.0

Date:

Rev:

Id: 2/18

SoC DCAPs



Sheet: /SoC_DCAP/
File: SoC_DCAP.kicad_sch

Title:

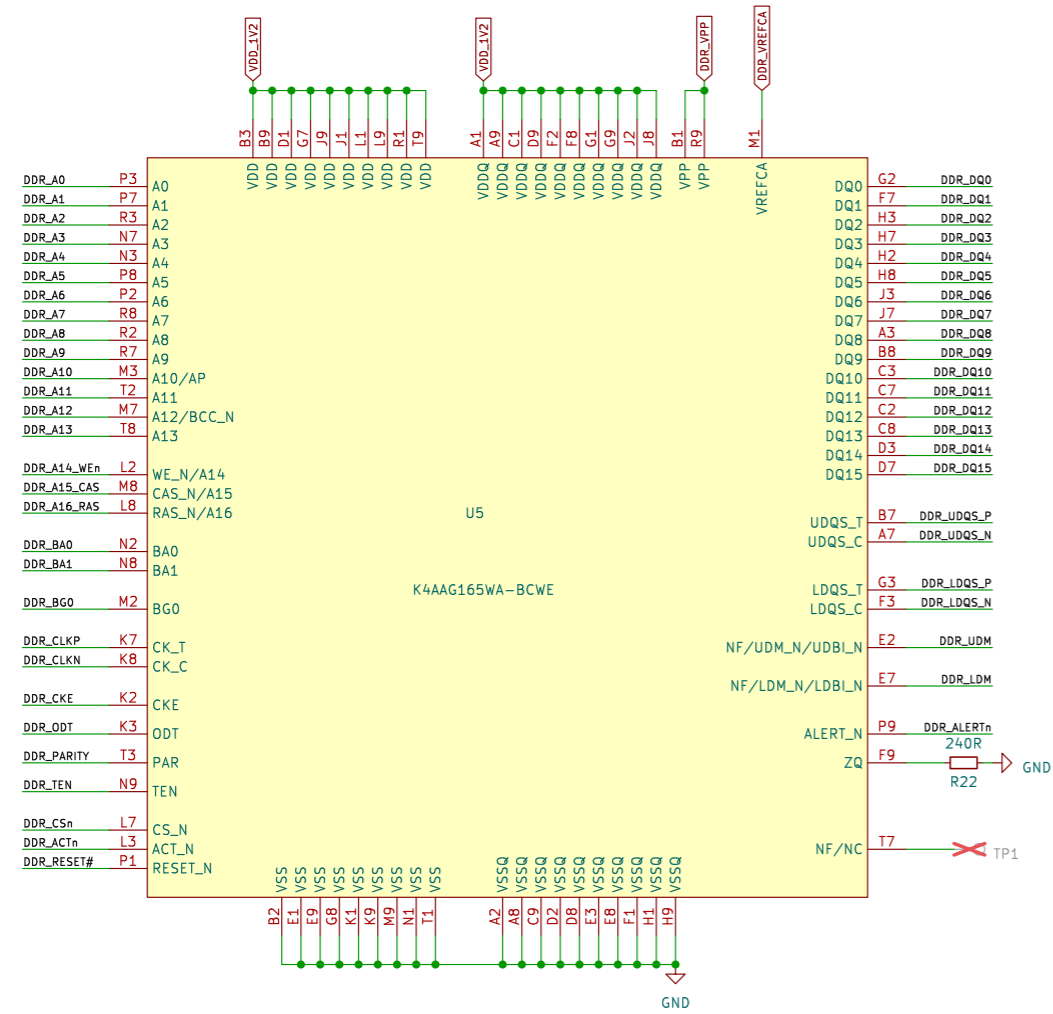
Size: A4
KiCad E.D.A. 8.0.0

Date:

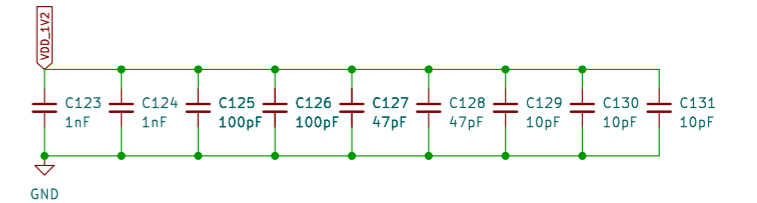
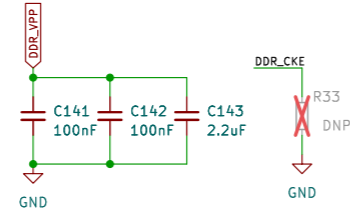
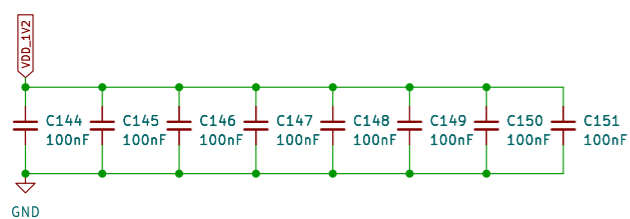
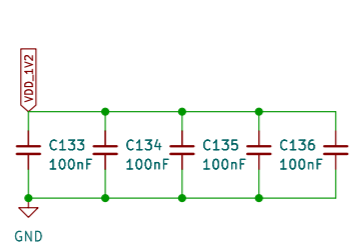
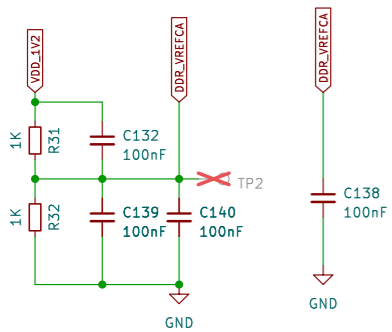
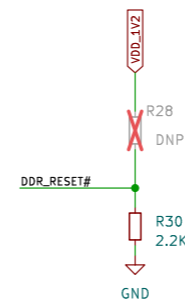
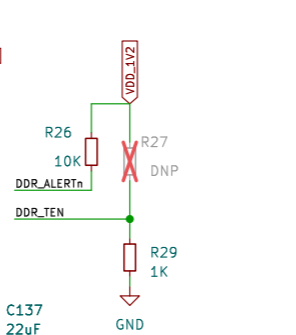
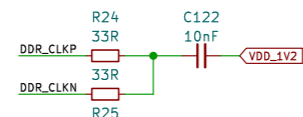
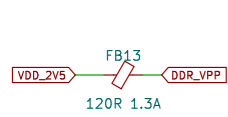
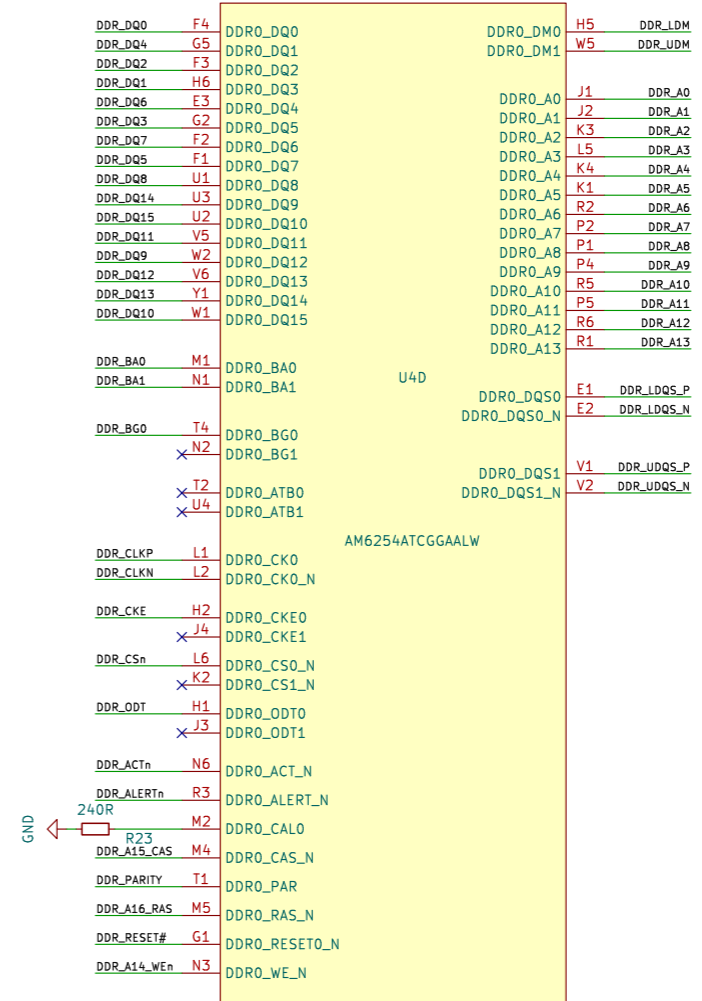
Rev:

Id: 3/18

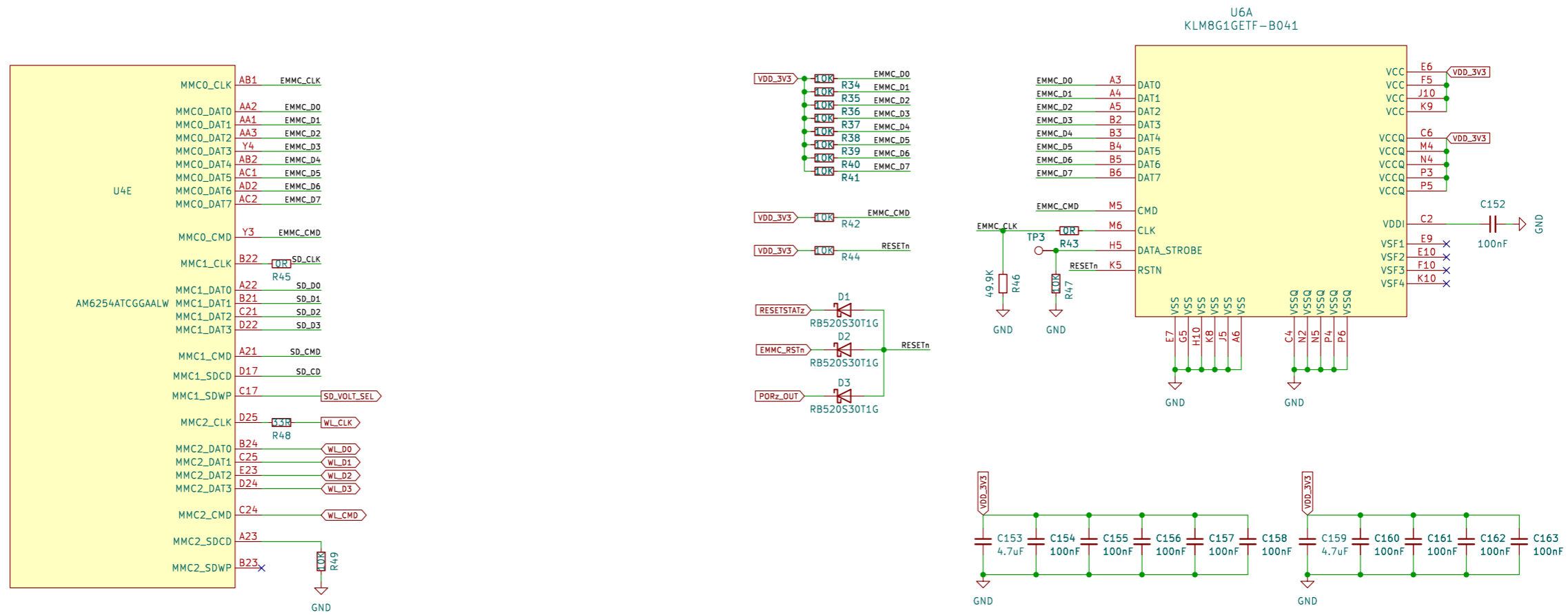
DDR4



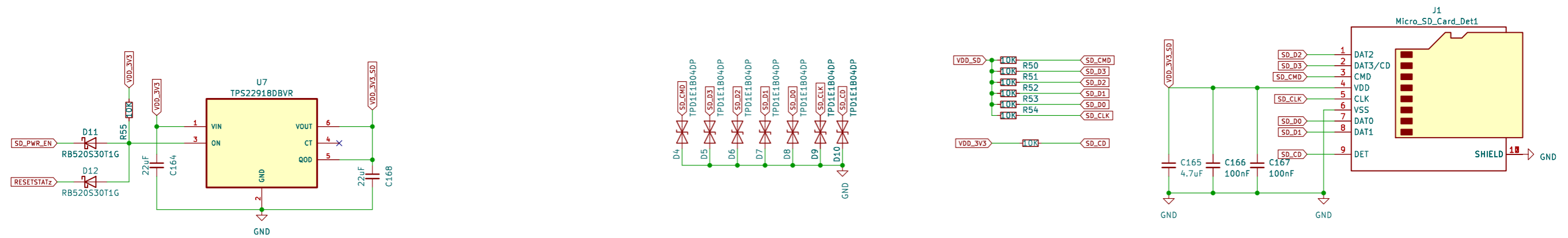
SoC DDR CONTROLLER



eMMC



MICRO SD CARD



Sheet: /SoC SDIO & eMMC AND SD CARD/
File: SoC SDIO & eMMC AND SD CARD.kicad_sch

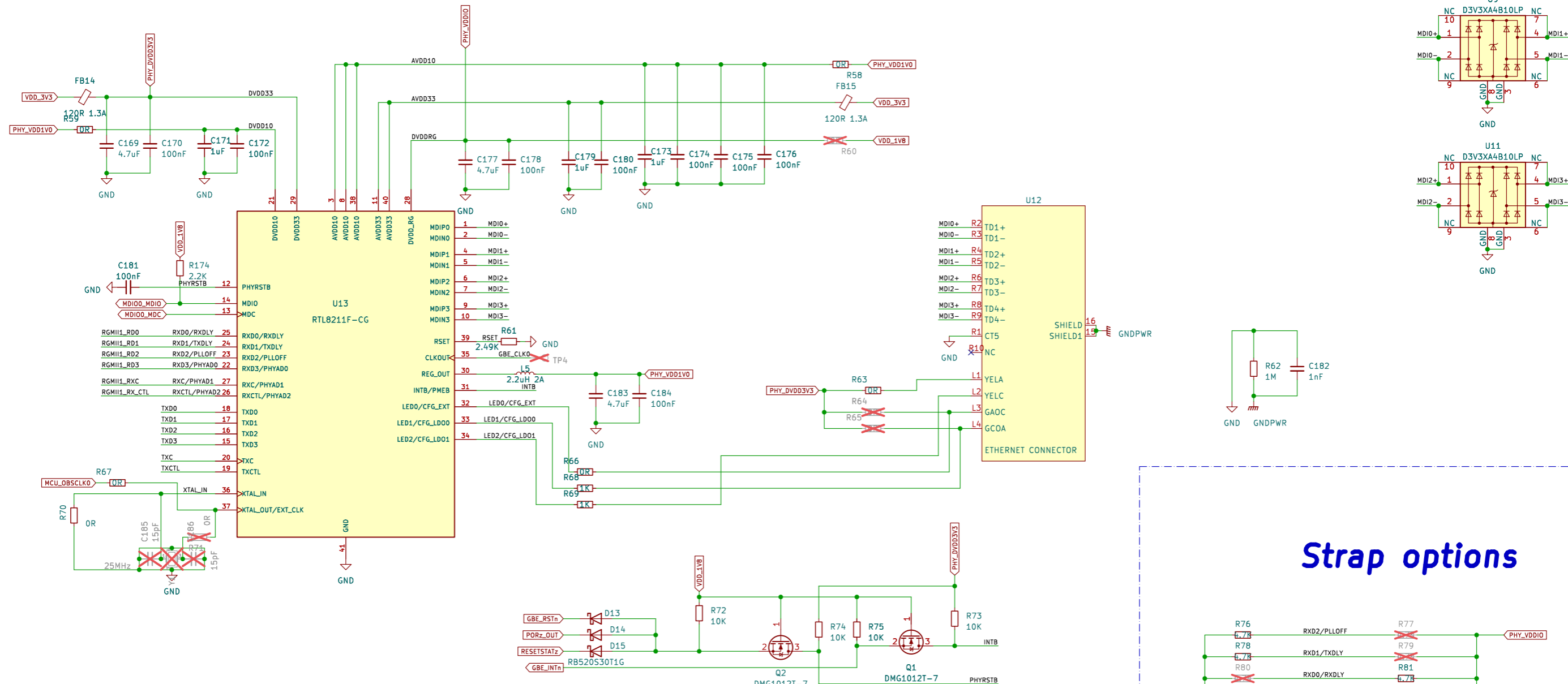
Title:

Size: A3
KiCad E.D.A. 8.0.0

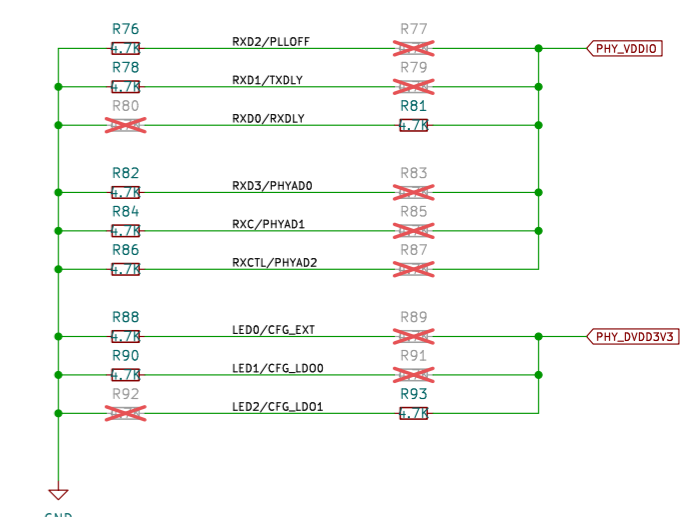
Date:

Rev:
Id: 5/18

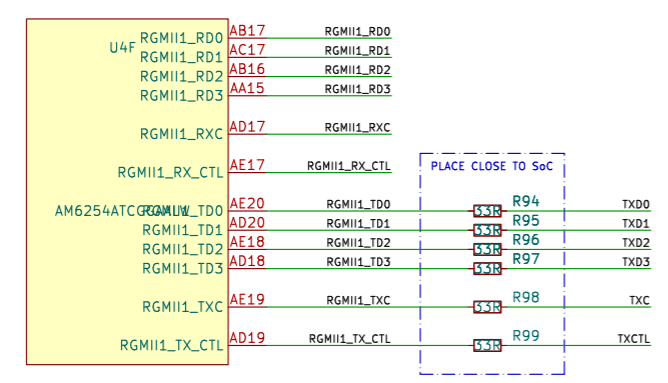
GIGABIT ETHERNET



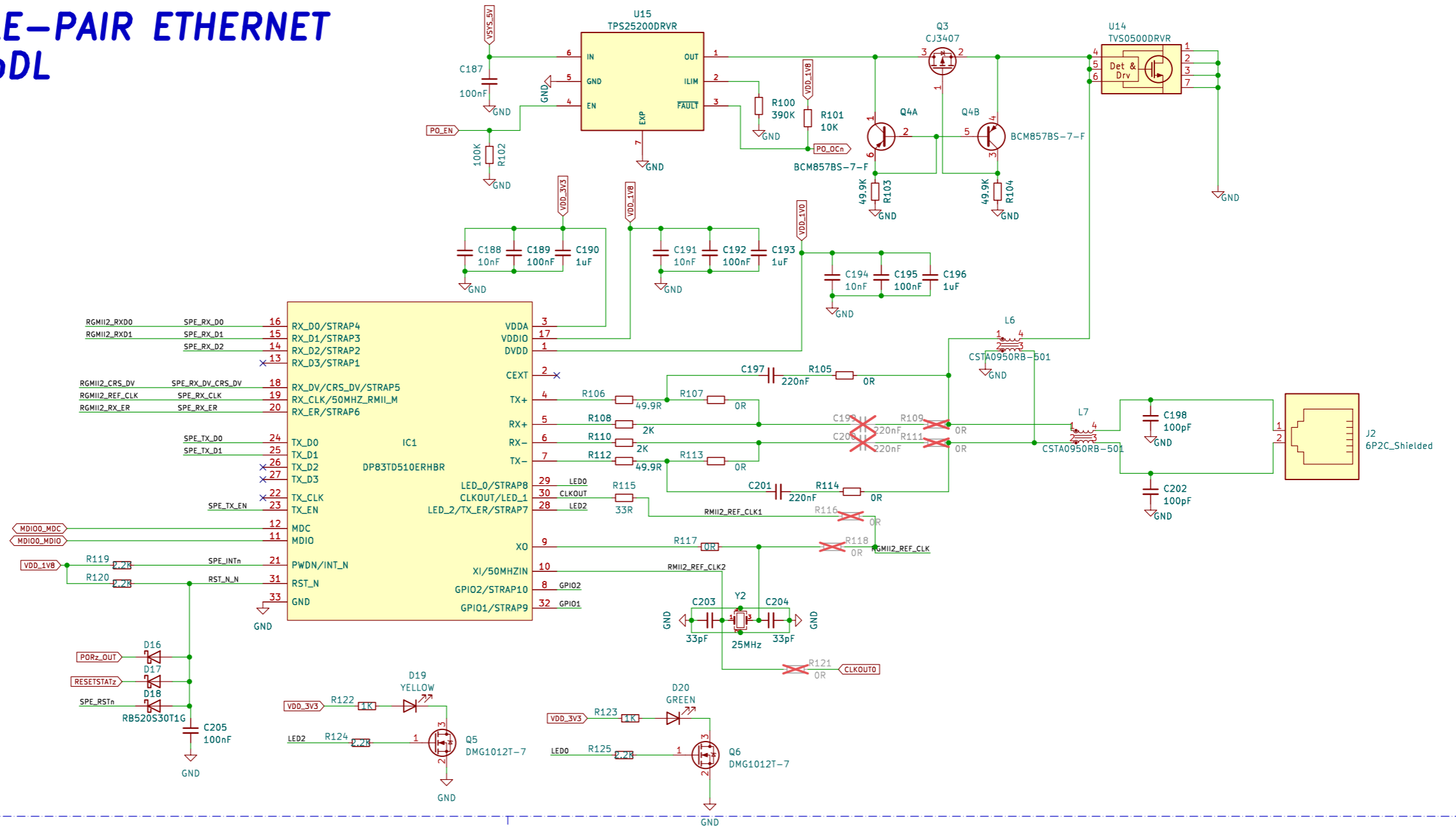
Strap options



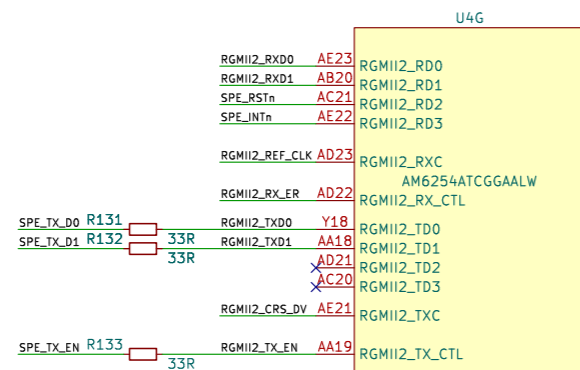
SoC MAC 1.8



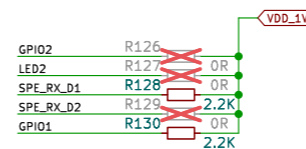
10BASE-T1 SINGLE-PAIR ETHERNET WITH PoDL



SoC MAC 1.8V

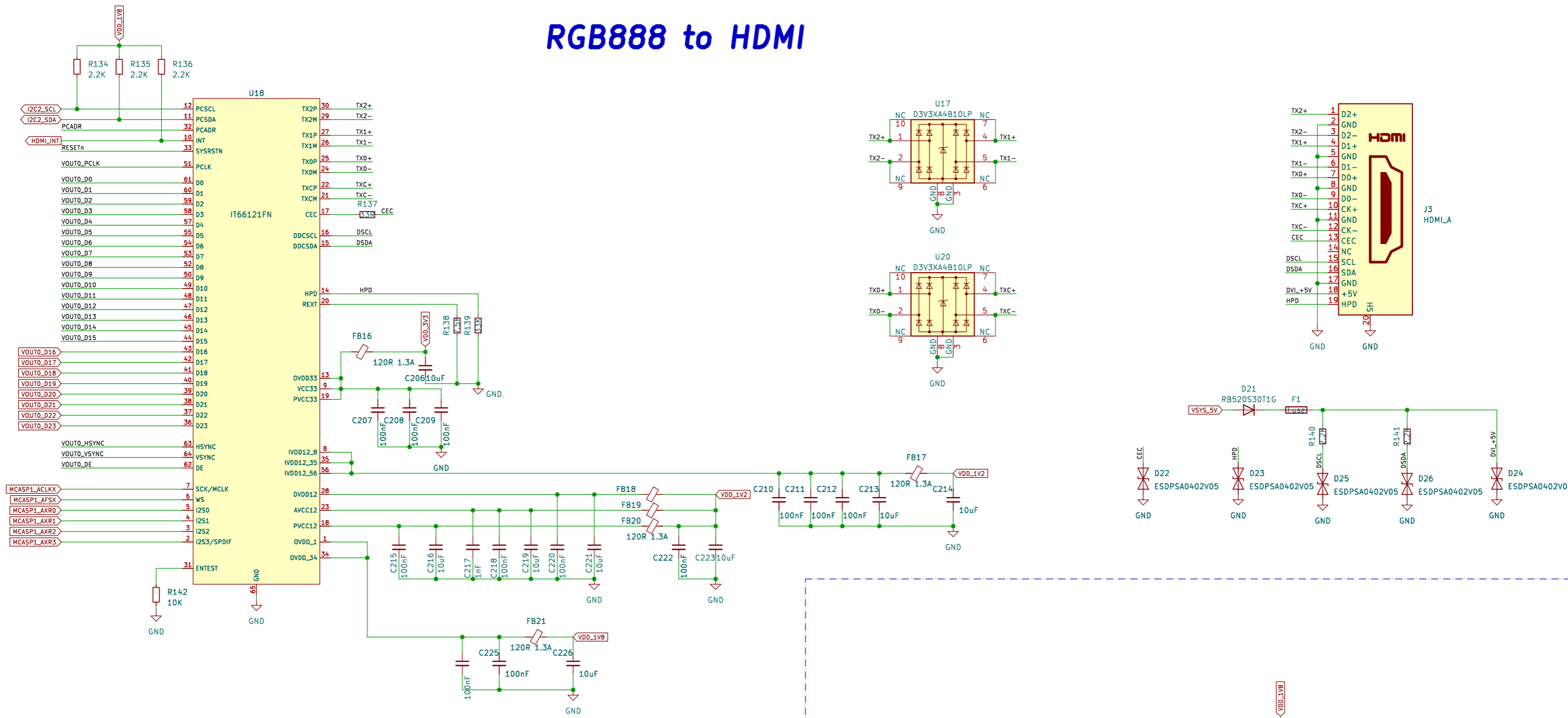


STRAP OPTIONS

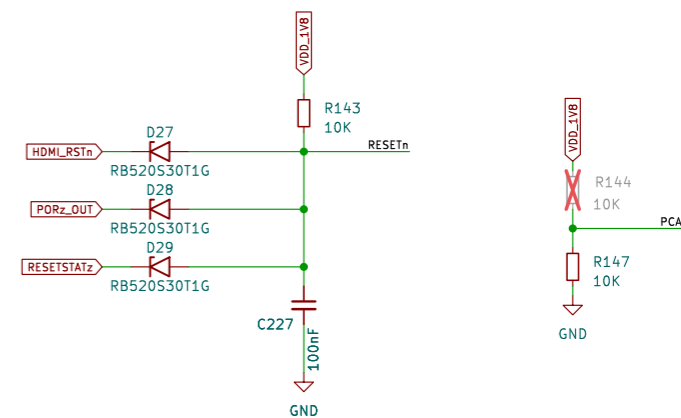
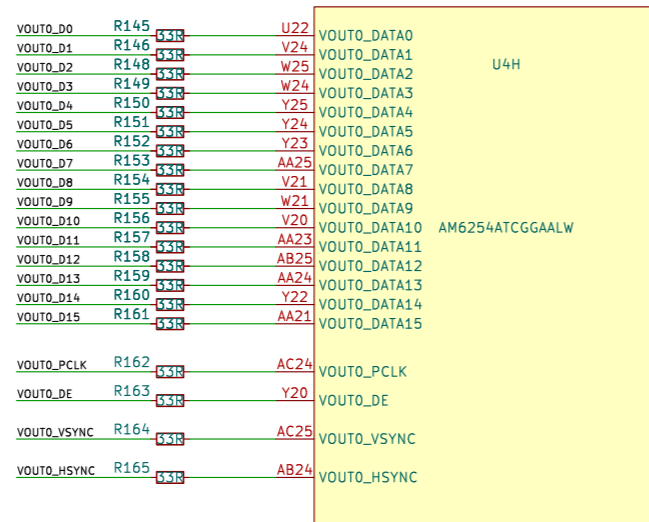


Sheet: /SINGLE PAIR EHTERNET/		
File: SINGLE PAIR EHTERNET.kicad_sch		
Title:		
Size: A3	Date:	Rev:
KiCad E.D.A. 8.0.0		Id: 7/18

RGB888 to HDMI



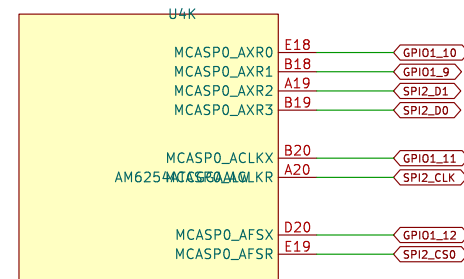
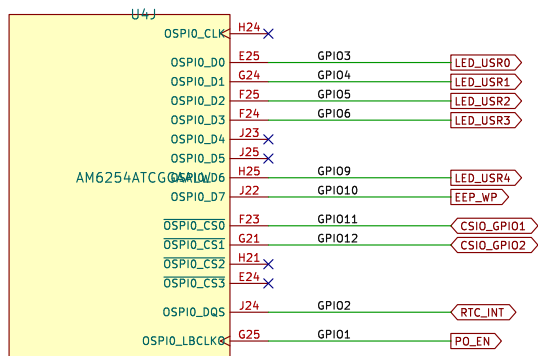
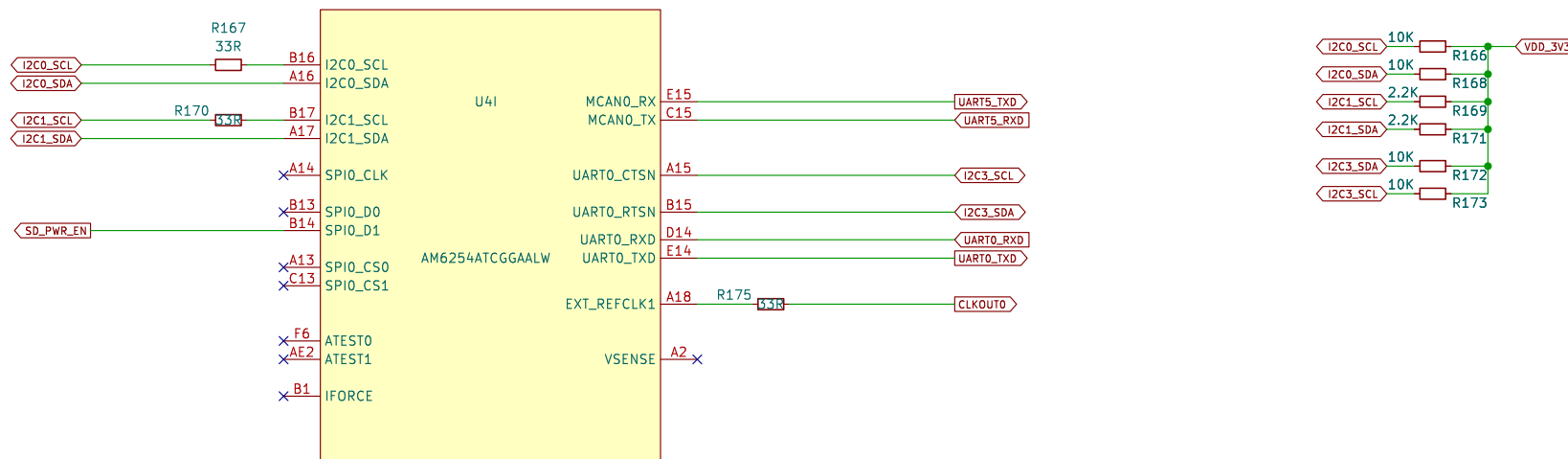
SoC



Sheet: /SoC_DDS & HDMI/
File: SoC_DDS & HDMI.kicad_sch

Title:		
Size: A3	Date:	Rev:
KiCad E.D.A. 8.0.0		Id: 8/18

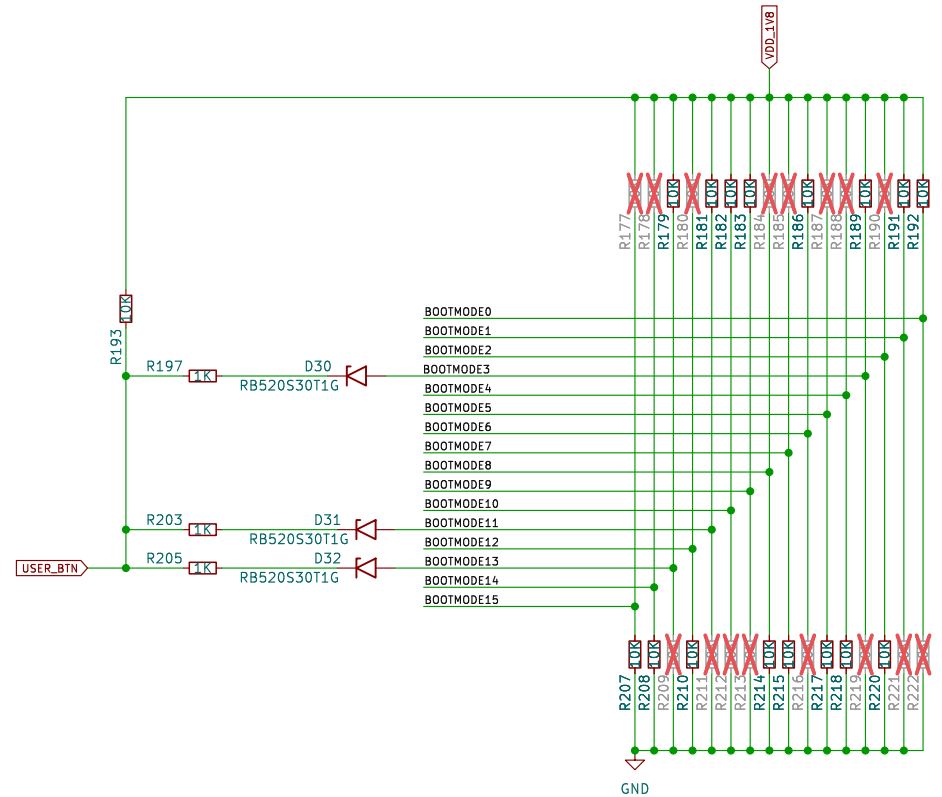
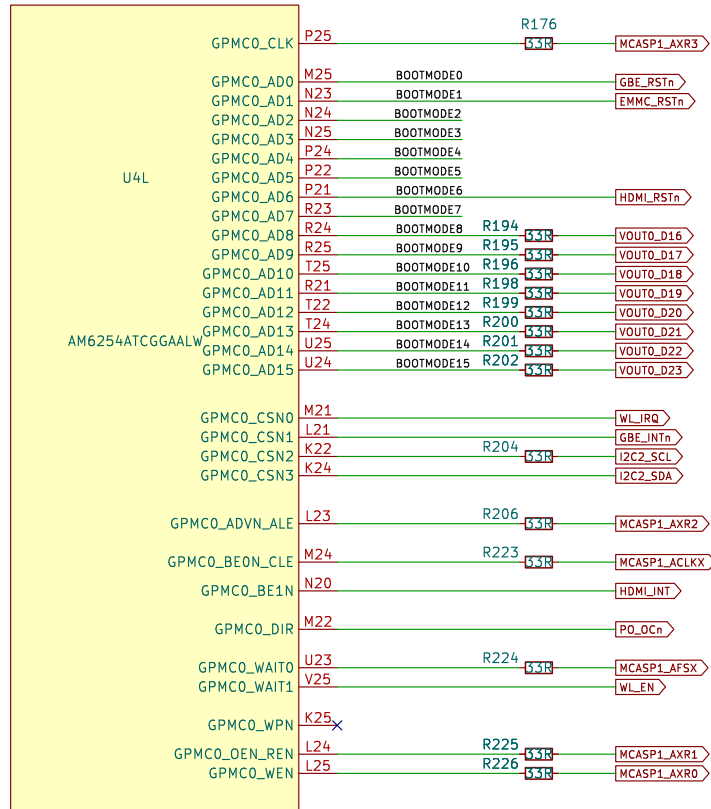
SoC GPIO 3.3V



Sheet: /SoC GPIO 3.3V/
 File: SoC GPIO 3v3.kicad_sch

Title:		Rev:	
Size: A4	Date:		
KiCad E.D.A. 8.0.0		Id: 9/18	

SoC GPIO 1.8V



Sheet: /SoC_GPIO 1.8V & BOOTSTRAP/
 File: SoC_GPIO 1V8 & BOOTSTRAP.kicad_sch

Title:

Size: A4

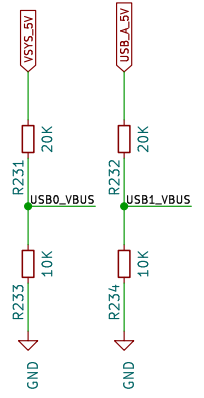
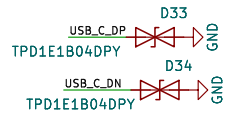
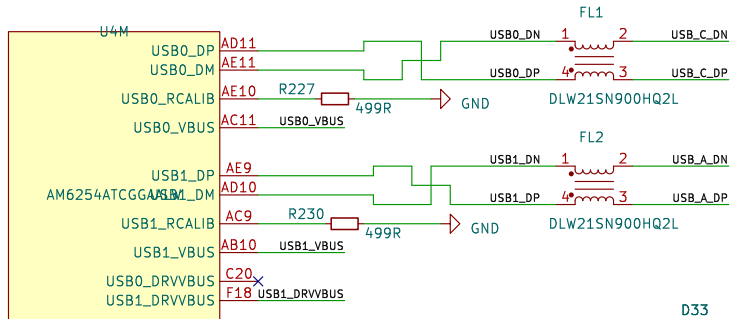
Date:

KiCad E.D.A. 8.0.0

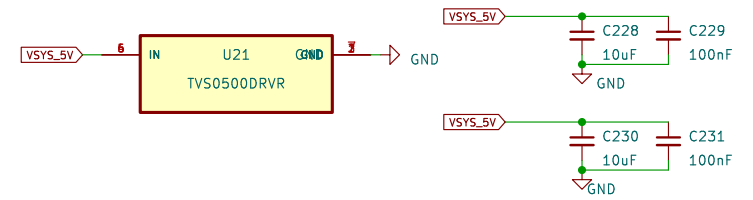
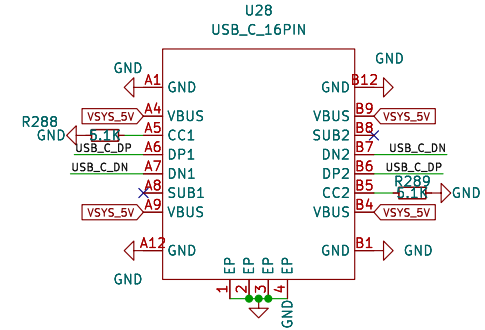
Rev:

Id: 10/18

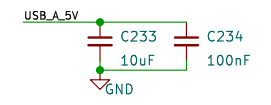
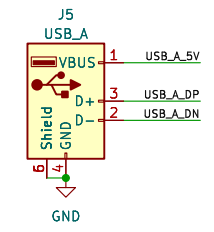
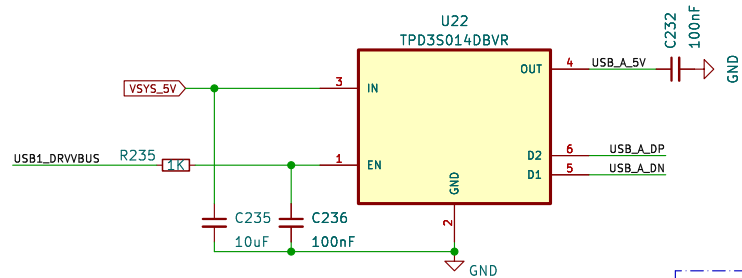
SoC USB



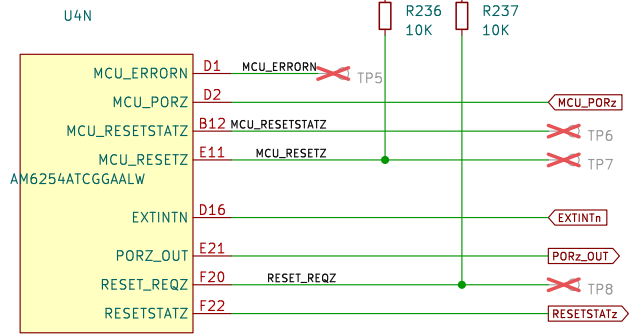
USB TYPE-C



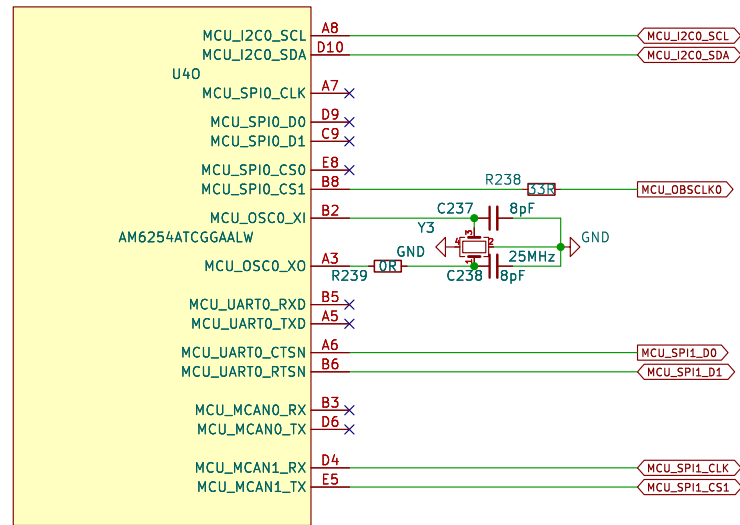
USB TYPE-A



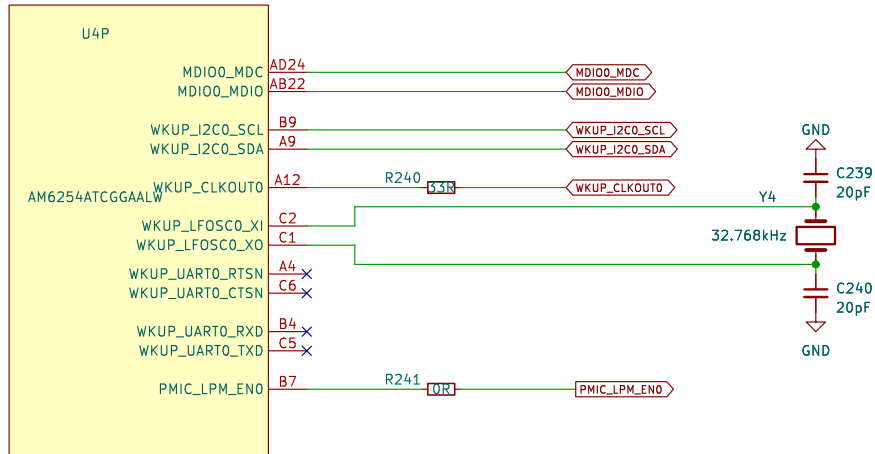
SoC SYSTEM



MCU DOMAIN



WKUP DOMAIN



Sheet: /SoC RESET & MCU/
File: SoC RESET & MCU.kicad_sch

Title:

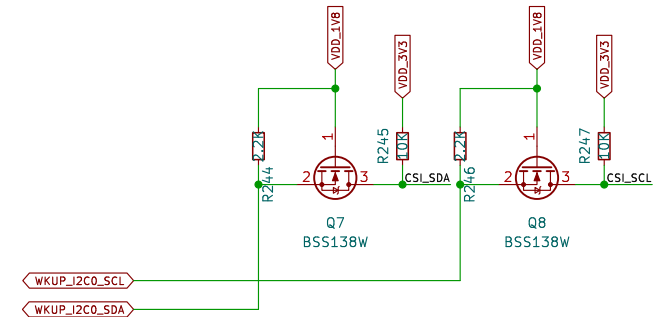
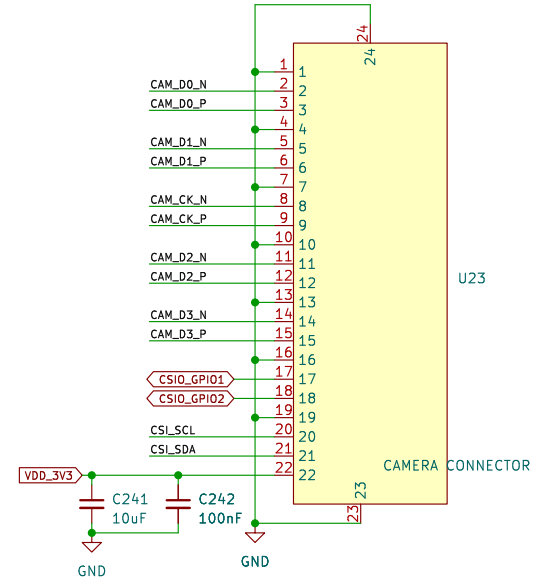
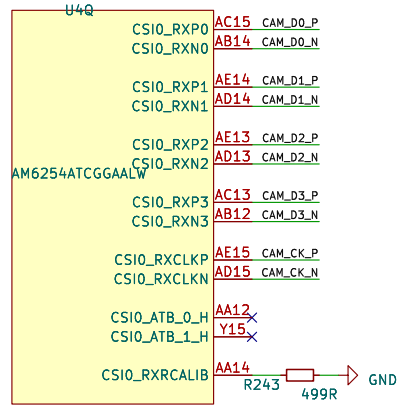
Size: A4
KiCad E.D.A. 8.0.0

Date:

Rev:

Id: 12/18

CSI INTERFACE



Sheet: /SoC CSI /
File: SoC CSI .kicad_sch

Title:

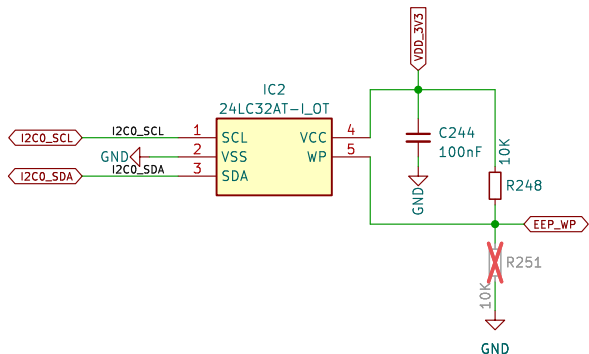
Size: A4
KiCad E.D.A. 8.0.0

Date:

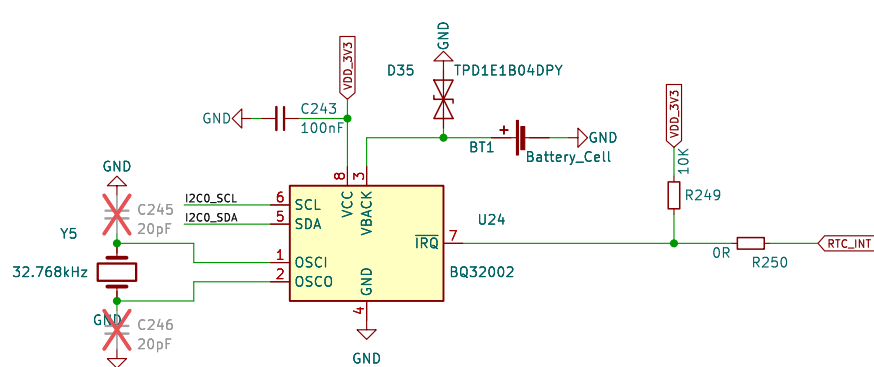
Rev:

Id: 13/18

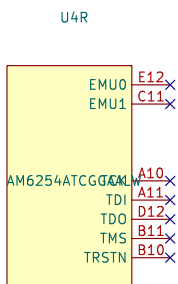
BOARD ID EEPROM 4Kbit



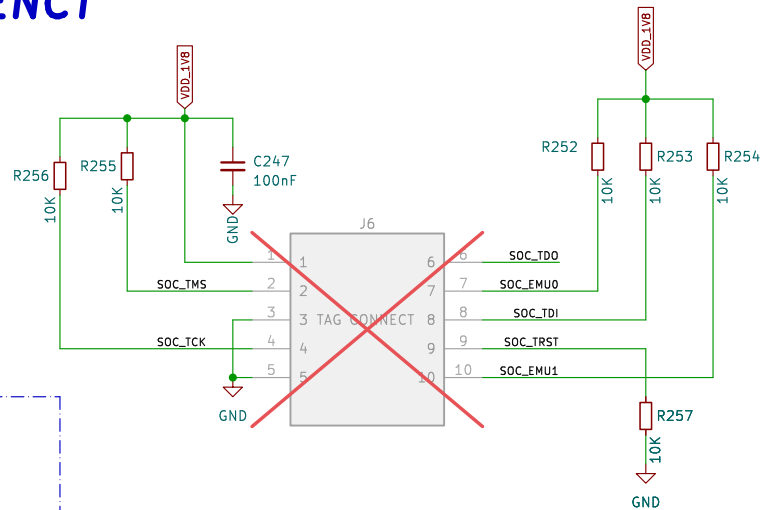
RTC



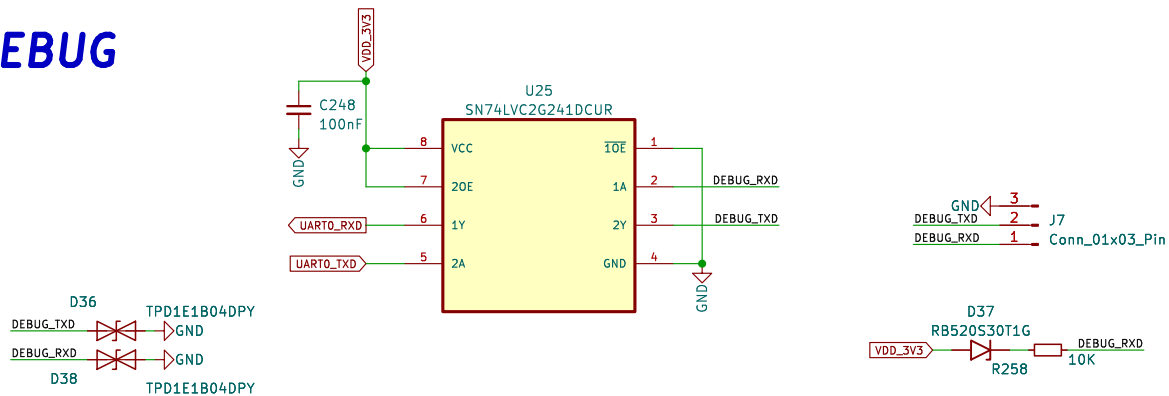
JTAG



TAG CONENCT



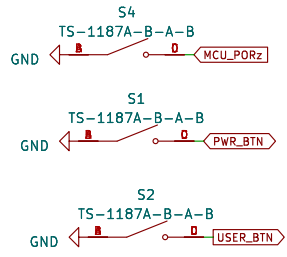
DEBUG



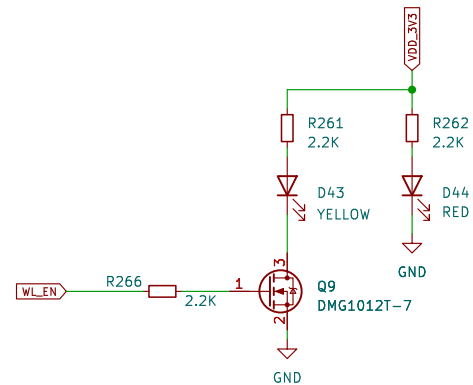
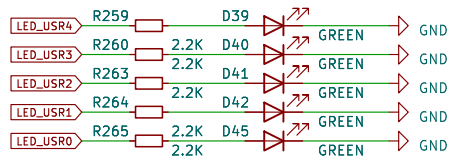
Sheet: /RTC & ID & DEBUG/
File: RTC & ID & DEBUG.kicad_sch

Title:	
Size: A4	Date:
KiCad E.D.A. 8.0.0	Rev:
	Id: 14/18

RESET BUTTON



LEDs



Sheet: /BUTTONs AND LEDs/
File: BUTTONs AND LEDs.kicad_sch

Title:

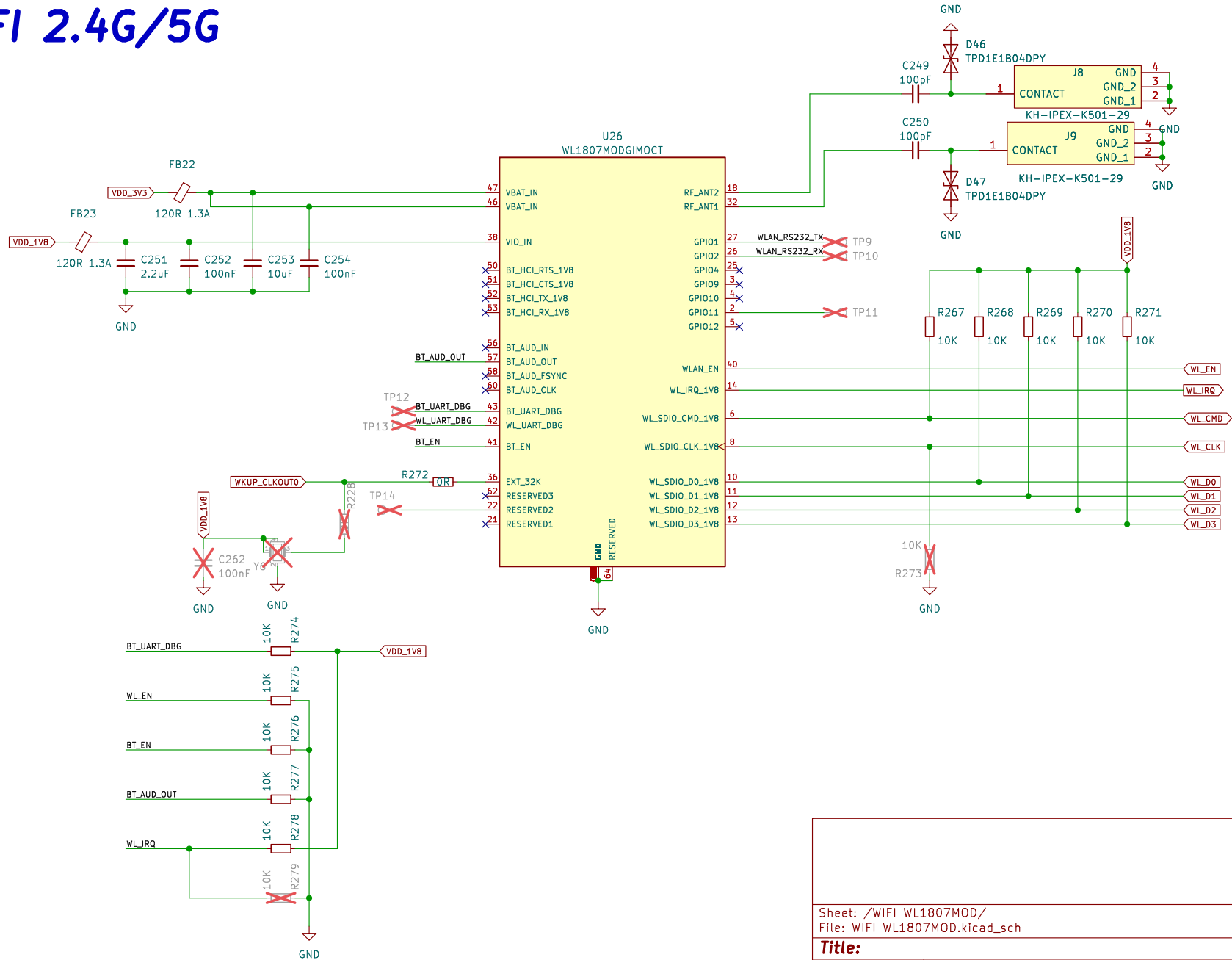
Size: A4 Date:

KiCad E.D.A. 8.0.0

Rev:

Id: 15/18

WIFI 2.4G/5G



Sheet: /WIFI WL1807MOD/
 File: WIFI WL1807MOD.kicad_sch

Title:

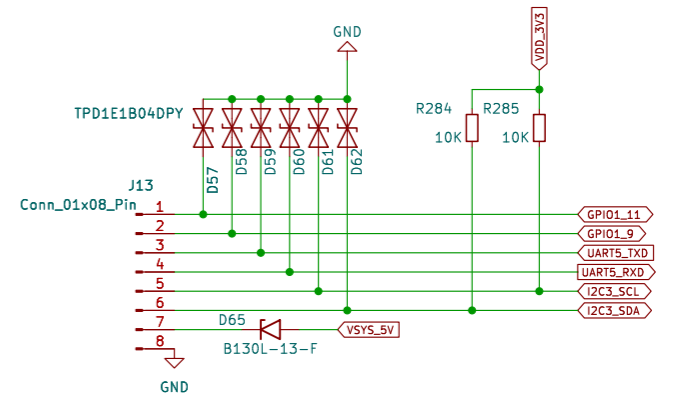
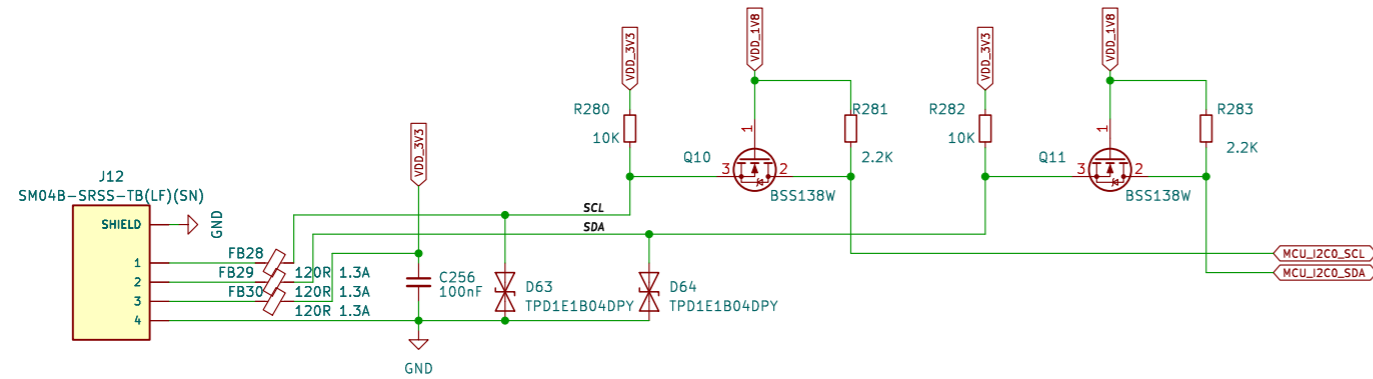
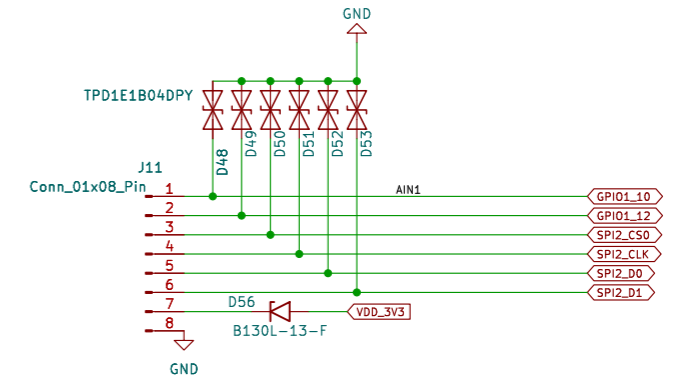
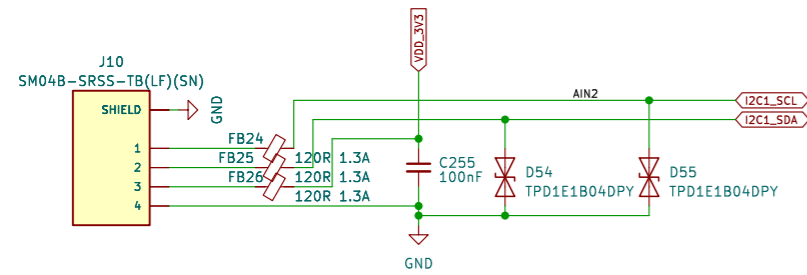
Size: A4
 KiCad E.D.A. 8.0.0

Date:

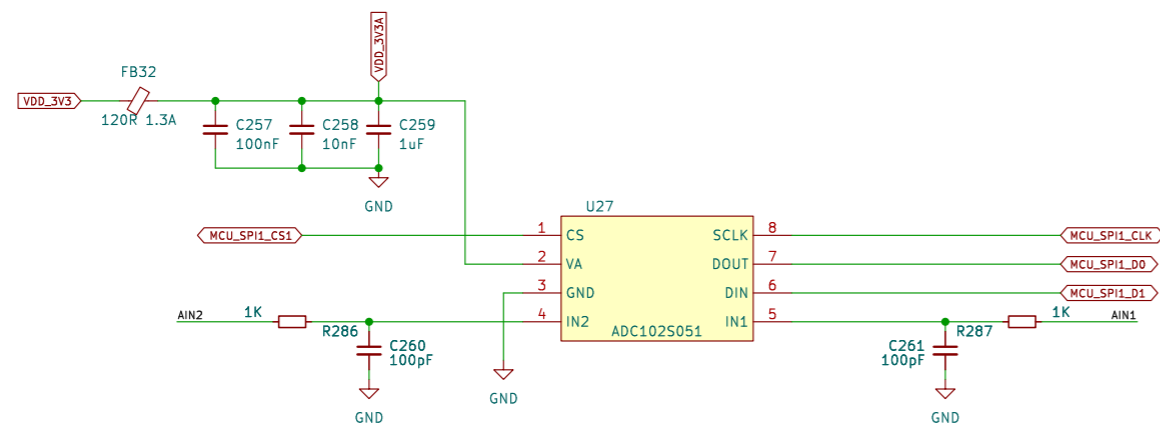
Rev:

Id: 15/18

EXTERNAL CONNECTORS



ADC



Sheet: /GROVE & QWIIC & MICROBUS & ADC/
File: GROVE & QWIIC & MICROBUS & ADC.kicad_sch

Title:

Size: A3

Date:

Rev:

KiCad E.D.A. 8.0.0

Id: 16/18