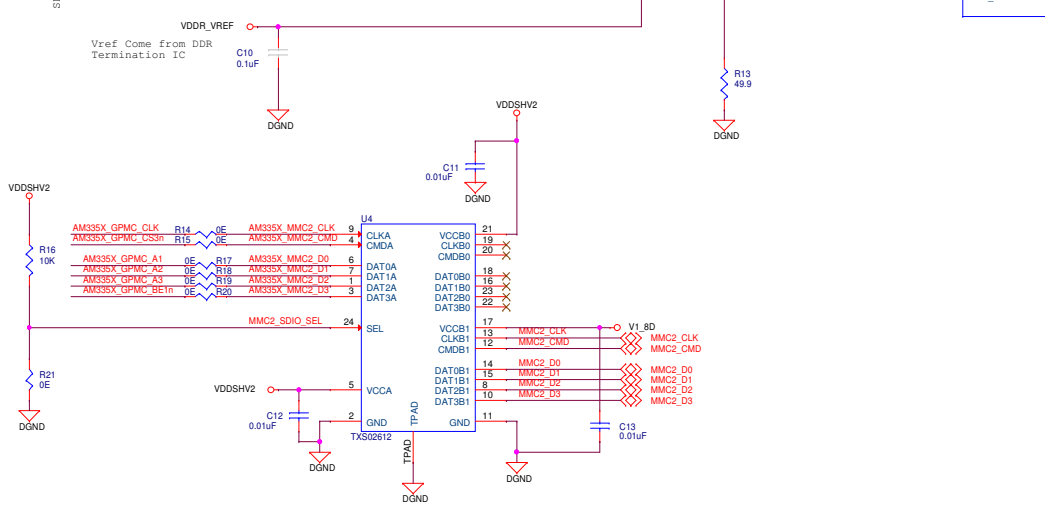
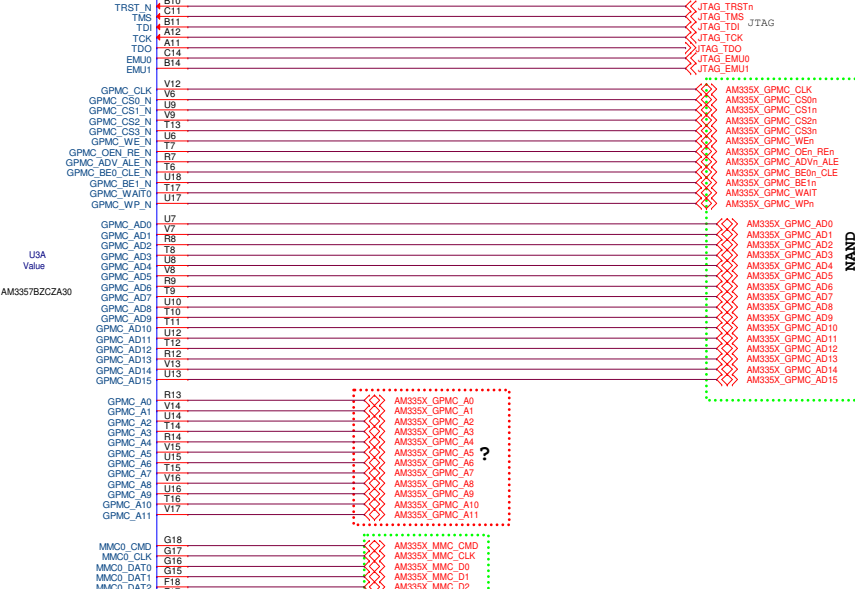
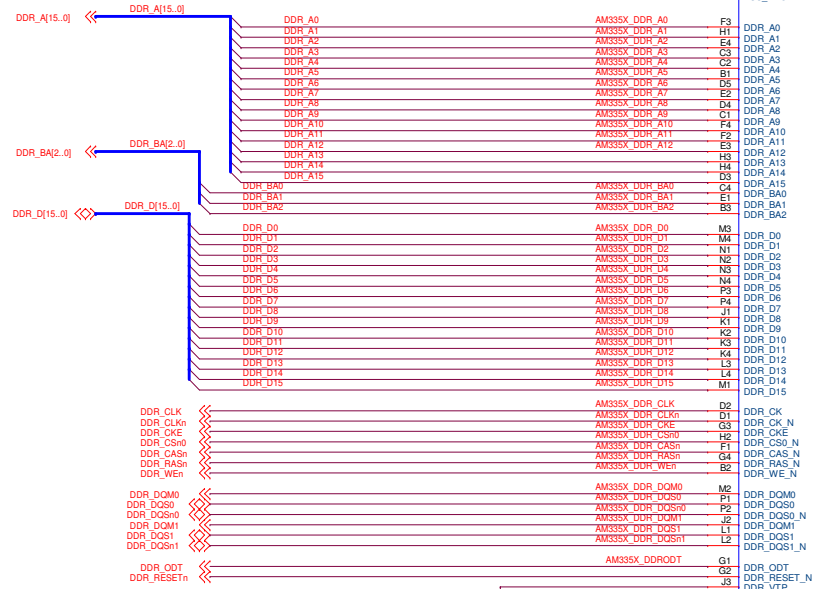
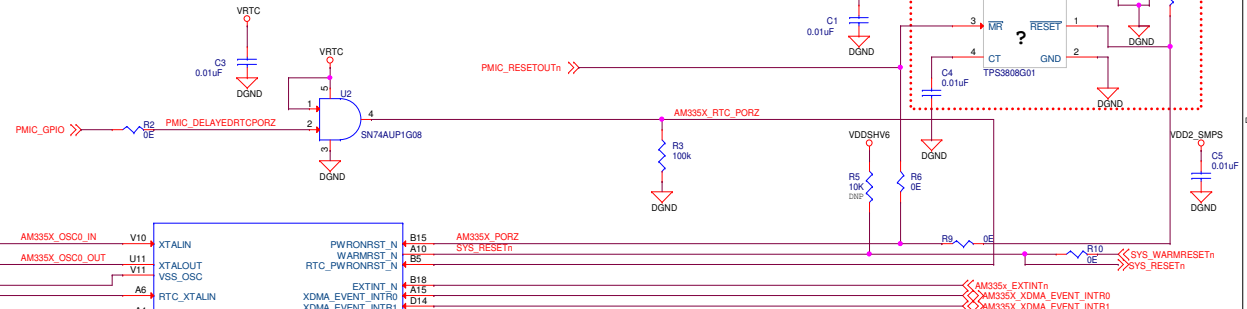
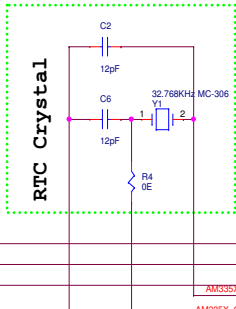
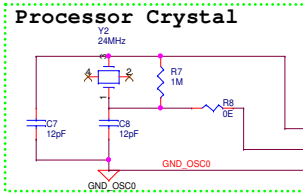
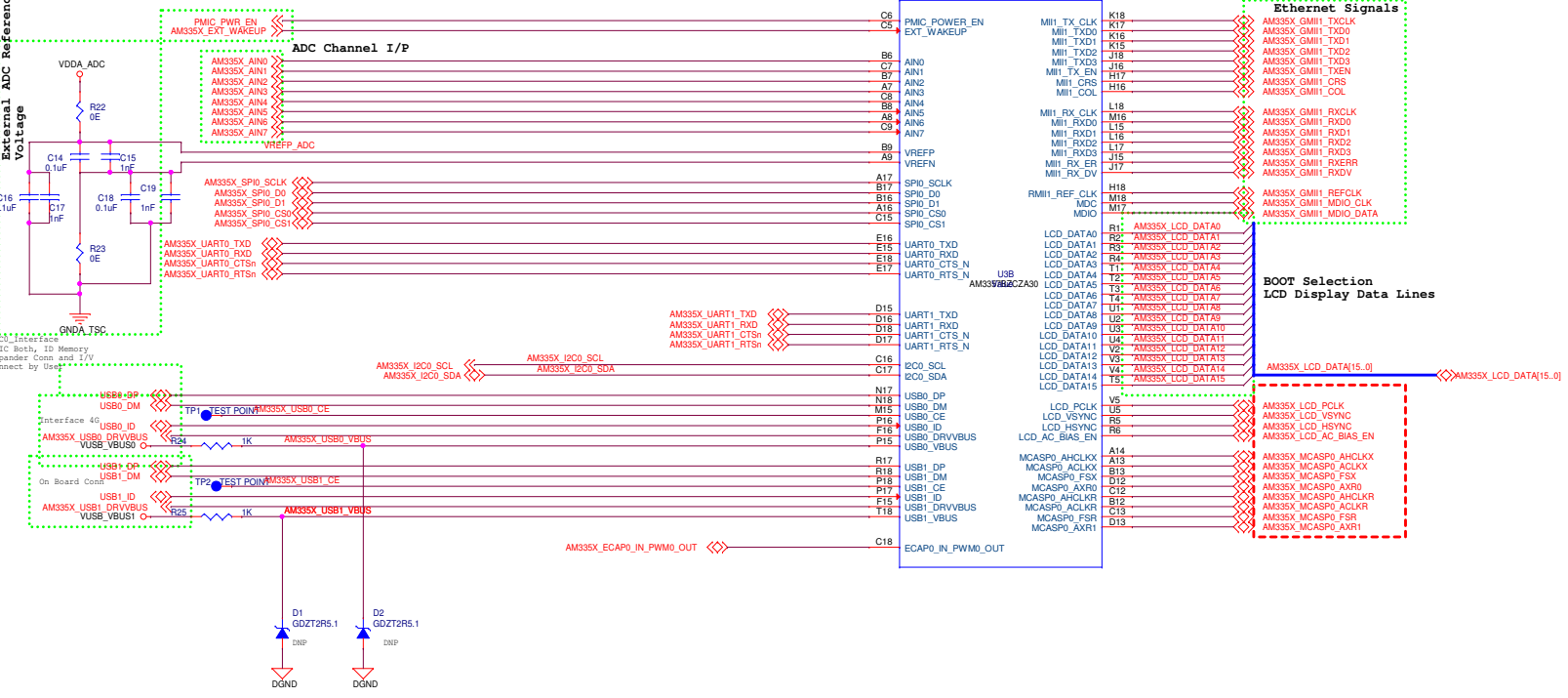


ARM MPU AM3357 ZCZ Package

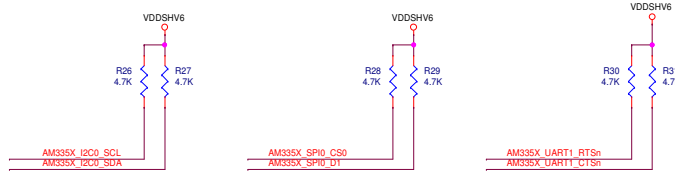
Sixth Energy Technologies Pvt Ltd			
#62, 10th Main,HMT Layout ,RT Nagar Bangalore-560032			
Title			
Size	Document Number	Modified By =	Rev
C	SE1605015	Srinivasan	1.0
Date: Tuesday, October 04, 2016		Sheet	1 of 16

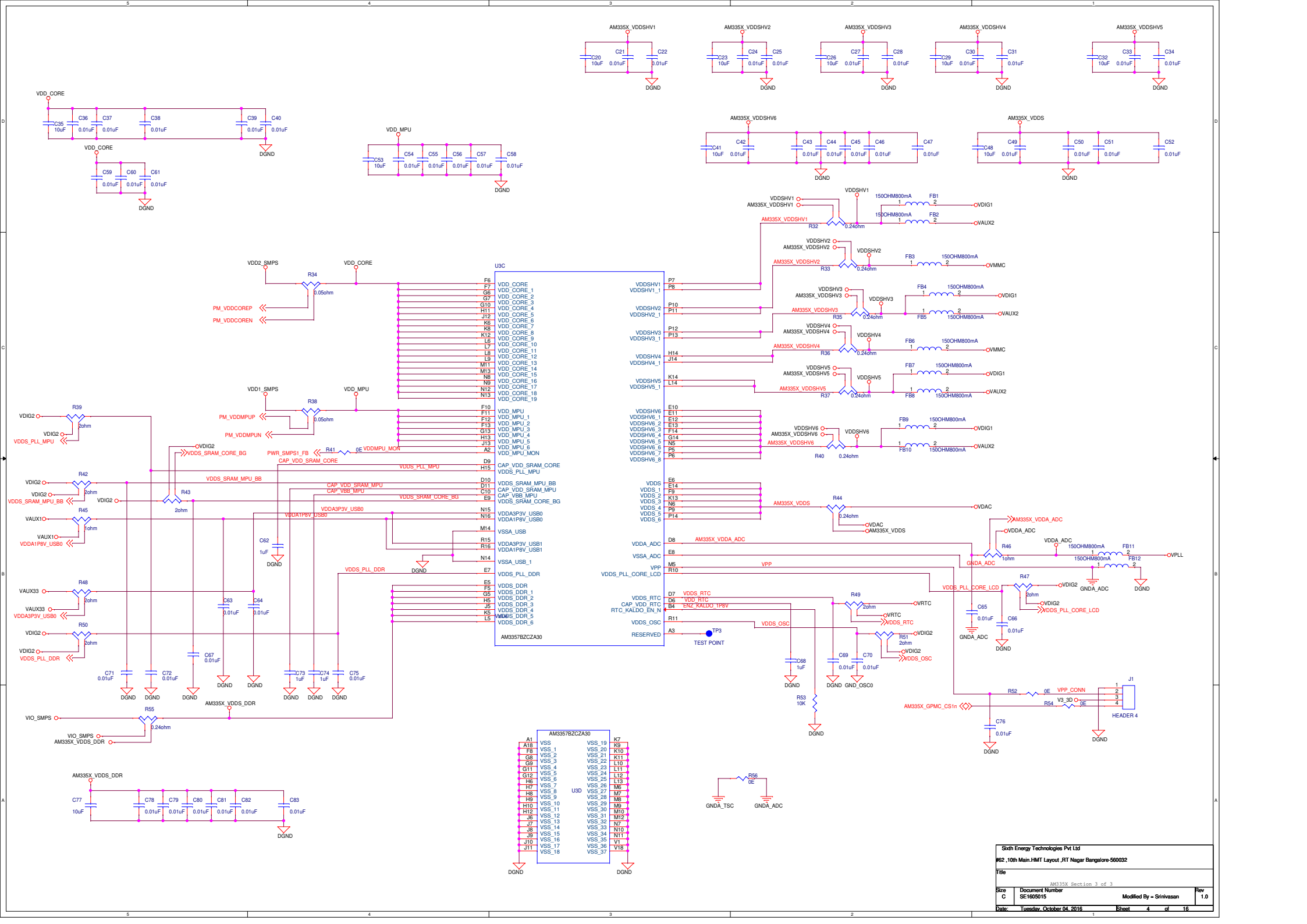


Power Enable and WakeUp Signal From
PMIC, Ethernet Controller, Expansion Connector



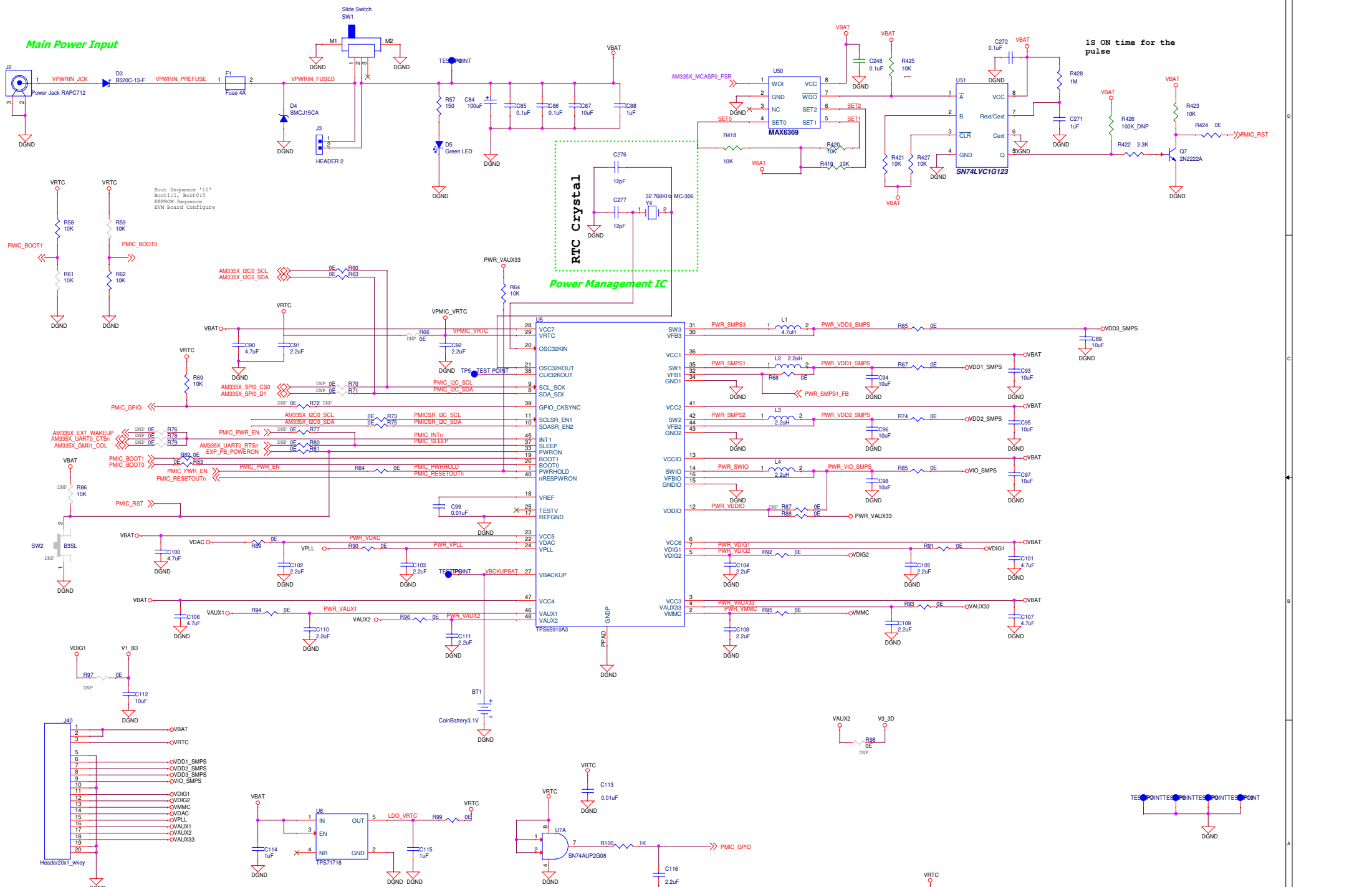
Expansion, COM Conn, HDMI
GPIO3_14 to GPIO3_21
used as a GPIO for Peripheral



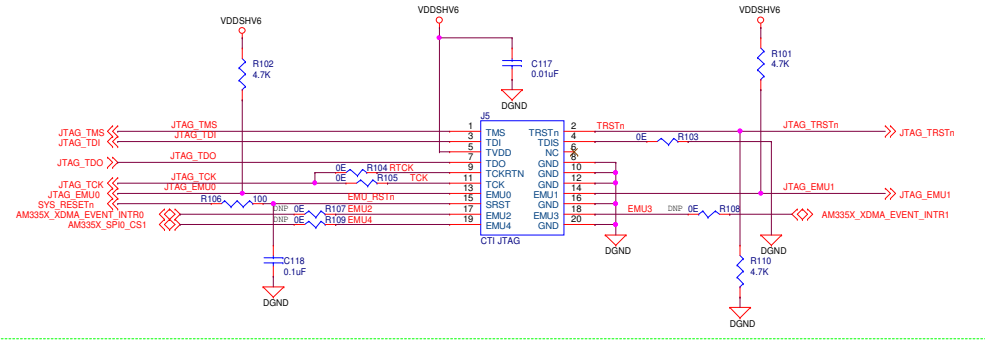


AM3357B2CZA30			
F6	VDD_CORE	VDDSHV1	
G6	VDD_CORE_1	VDDSHV1_1	
G7	VDD_CORE_2		
G10	VDD_CORE_3		
H11	VDD_CORE_4		
J12	VDD_CORE_5		
K6	VDD_CORE_6		
K8	VDD_CORE_7		
L6	VDD_CORE_8		
L7	VDD_CORE_9		
L8	VDD_CORE_10		
L9	VDD_CORE_11		
M1	VDD_CORE_12		
M3	VDD_CORE_13		
M6	VDD_CORE_14		
N9	VDD_CORE_15		
N12	VDD_CORE_16		
N13	VDD_CORE_17		
N18	VDD_CORE_18		
N19	VDD_CORE_19		
F10	VDD_MPU	VDDSHV6	
F11	VDD_MPU_1	VDDSHV6_1	
F12	VDD_MPU_2		
F13	VDD_MPU_3		
G13	VDD_MPU_4		
H13	VDD_MPU_5		
J13	VDD_MPU_6		
K13	VDD_MPU_MON		
A2	VDD_MPU_MON		
D9	CAP_VDD_SRAM_CORE		
H15	VDD_SRAM_CORE		
D10	VDD_SRAM_MPU_BB		
D11	CAP_VDD_SRAM_MPU		
C10	CAP_VBB_MPU		
N15	VDD_SRAM_CORE_BG		
N16	VDD_SRAM_MPU_BB		
N17	VDD_SRAM_MPU		
N18	VDD_SRAM_CORE_BG		
N19	VDD_SRAM_MPU_BB		
M14	VDDA3P3V_USB0		
R15	VDDA1P8V_USB0		
R16	VDDA1P8V_USB0		
E7	VSSA_USB		
N14	VDDA3P3V_USB1		
E9	VDDA1P8V_USB1		
E5	VSSA_USB		
F5	VDDA3P3V_USB0		
G5	VDDA1P8V_USB0		
H5	VSSA_USB		
J5	VDDA3P3V_USB0		
K5	VDDA1P8V_USB0		
L5	VSSA_USB		
E1	VDDA3P3V_USB0		
E2	VDDA1P8V_USB0		
E3	VSSA_USB		
E4	VDDA3P3V_USB0		
E5	VDDA1P8V_USB0		
E6	VSSA_USB		
E7	VDDA3P3V_USB0		
E8	VDDA1P8V_USB0		
E9	VSSA_USB		
E10	VDDA3P3V_USB0		
E11	VDDA1P8V_USB0		
E12	VSSA_USB		
E13	VDDA3P3V_USB0		
E14	VDDA1P8V_USB0		
F9	VSSA_USB		
K13	VDDA3P3V_USB0		
N6	VDDA1P8V_USB0		
P9	VSSA_USB		
P14	VDDA3P3V_USB0		
D8	VDDA_ADC		
E8	VDDA_ADC		
M5	VSSA_ADC		
R10	VDDA_ADC		
M5	VSSA_ADC		
R10	VDDA_ADC		
D7	VDDA_ADC		
D8	VDDA_ADC		
B4	VDDA_ADC		
R11	VDDA_ADC		
A3	VDDA_ADC		
A1	VSS	VSS_19	R9
A18	VSS	VSS_20	K10
F8	VSS	VSS_21	R11
G8	VSS	VSS_22	L10
G9	VSS	VSS_23	L11
G11	VSS	VSS_24	L12
G12	VSS	VSS_25	L13
H6	VSS	VSS_26	M6
H7	VSS	VSS_27	M7
H8	VSS	VSS_28	M8
H9	VSS	VSS_29	M9
H10	VSS	VSS_30	M10
H12	VSS	VSS_31	M12
J6	VSS	VSS_32	M13
J7	VSS	VSS_33	M14
J8	VSS	VSS_34	N11
J9	VSS	VSS_35	N12
J10	VSS	VSS_36	N13
J11	VSS	VSS_37	N14

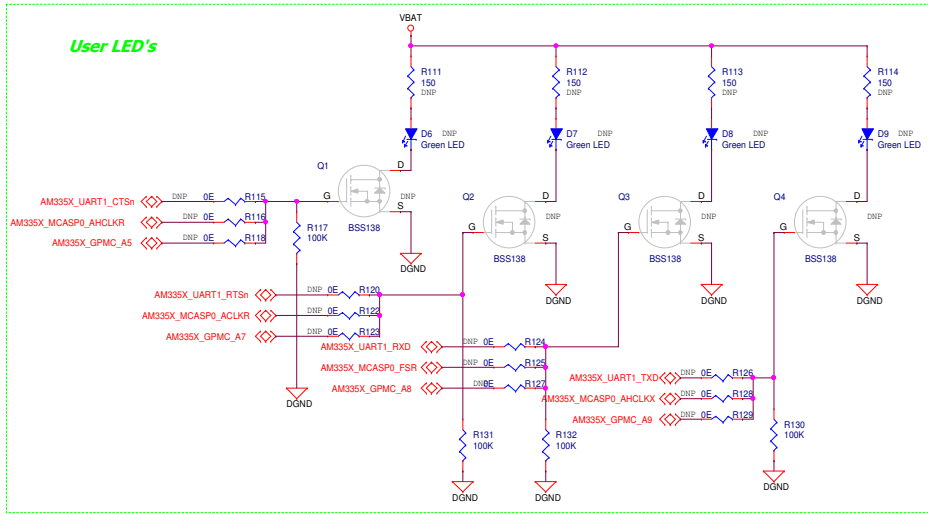
Main Power Input



JTAG Connector



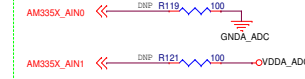
User LED's



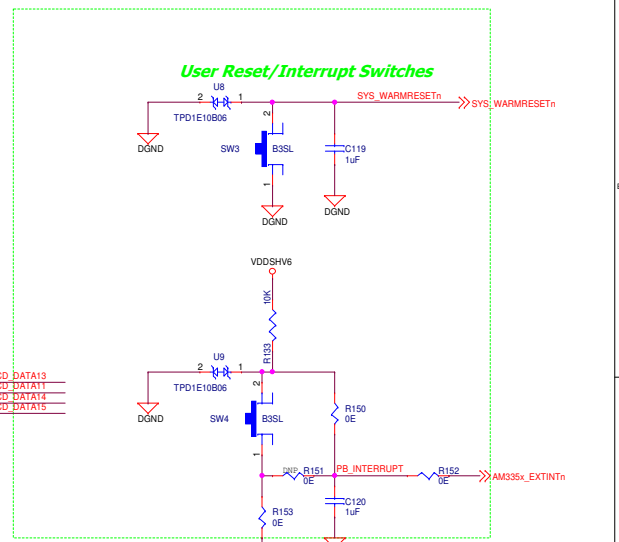
Clockout Measurement Testpoints



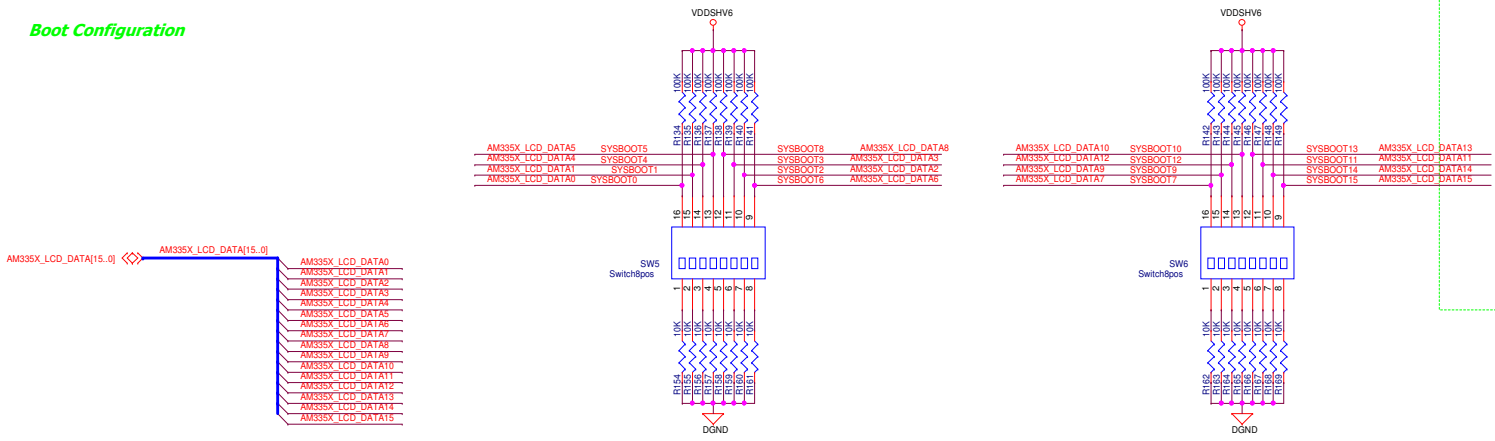
ADC Test

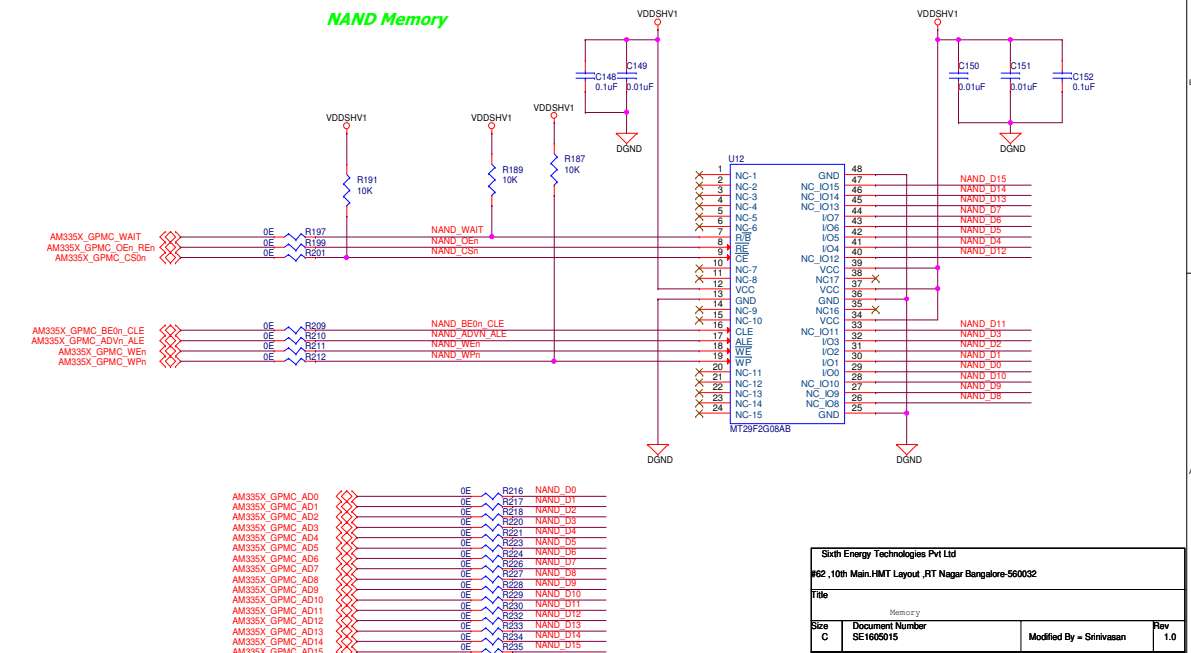
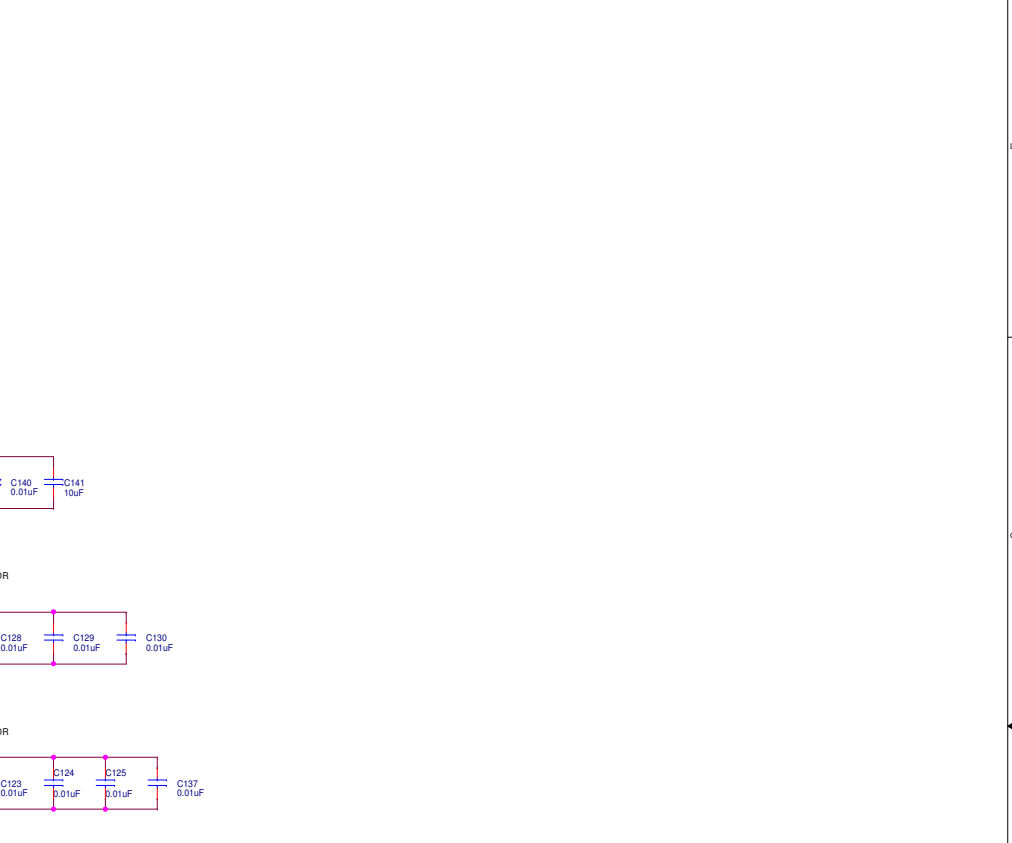
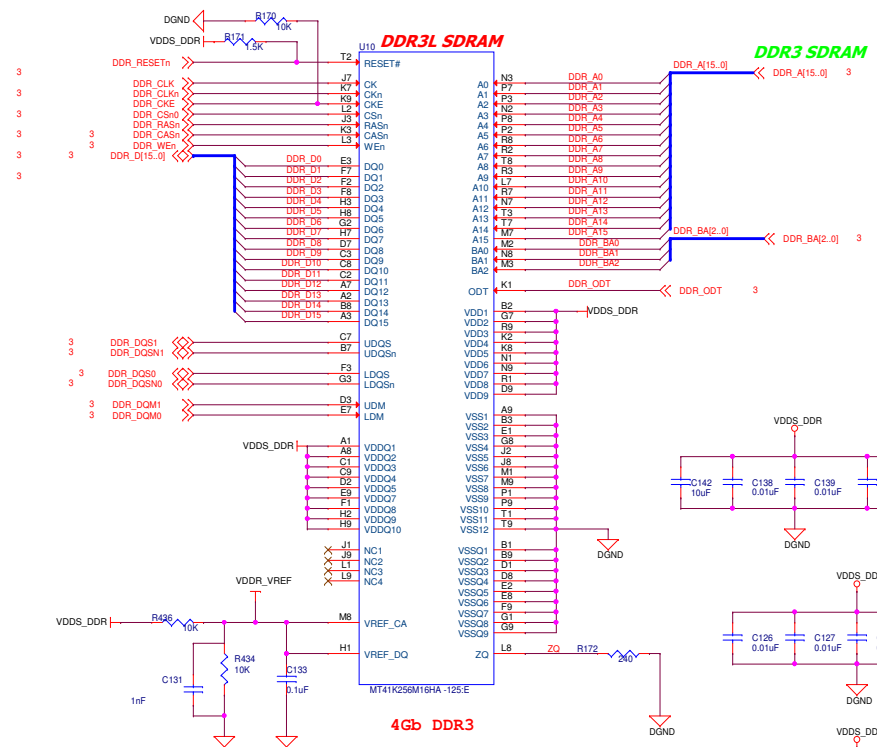


User Reset/Interrupt Switches



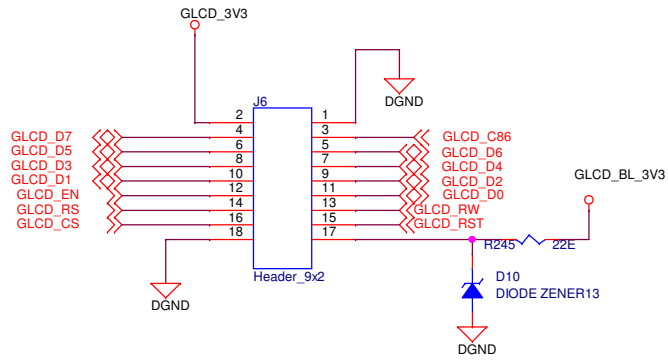
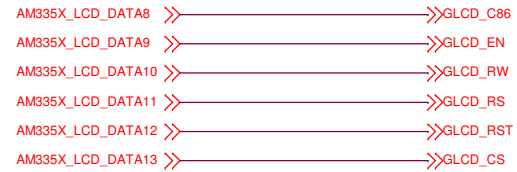
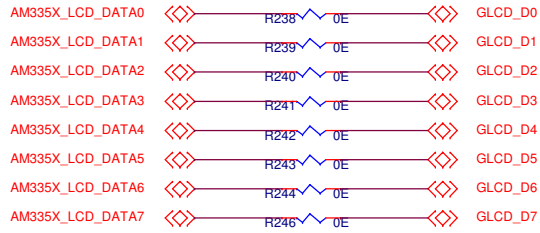
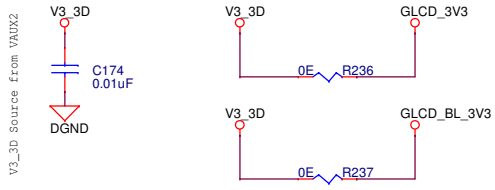
Boot Configuration



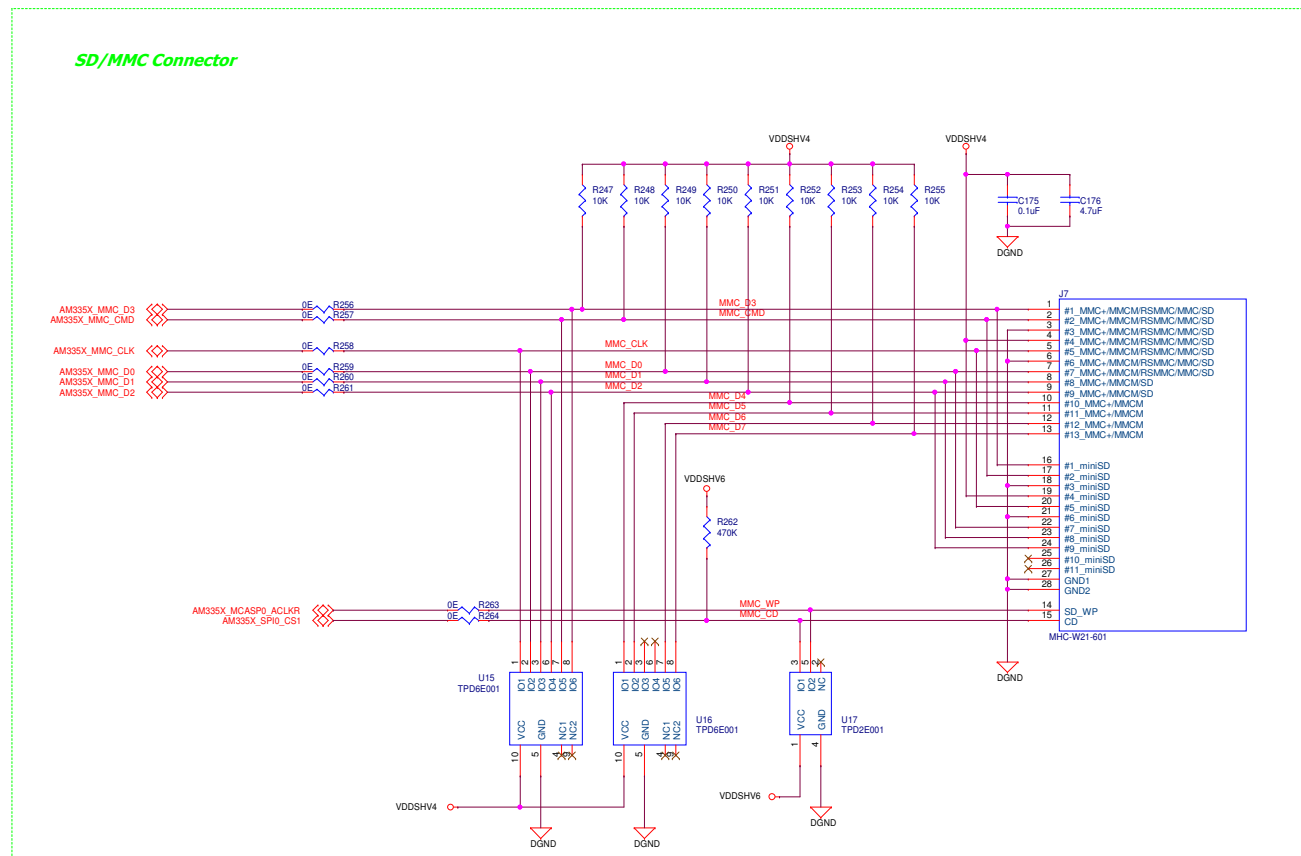


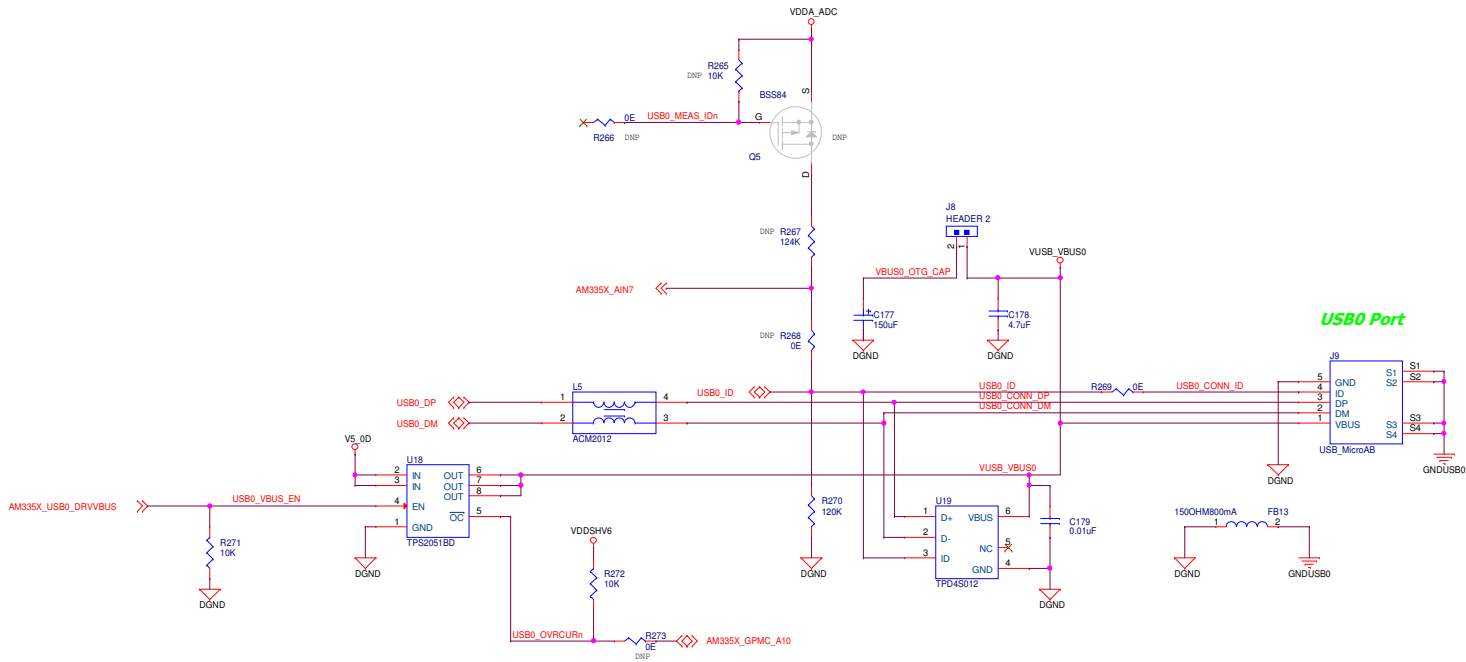
Sixth Energy Technologies Pvt Ltd			
#62 , 10th Main, HMT Layout , RT Nagar Bangalore-560032			
File			
Memory			
Size	Document Number	Modified By =	Rev
C	SE1005015	Srinivasan	1.0
Date:	Tuesday, October 04, 2016	Sheet	7 of 16

LCD Connectors

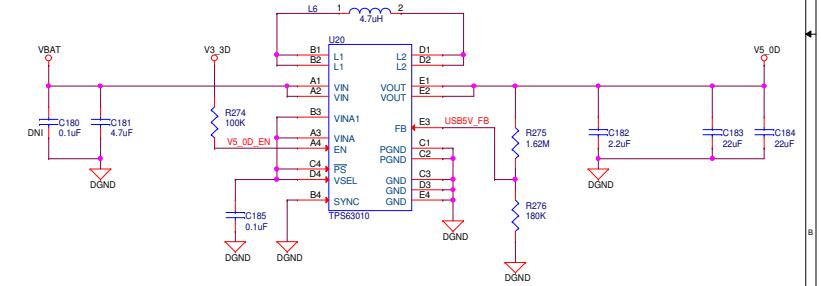


Sixth Energy Technologies Pvt Ltd			
#62 ,10th Main,HMT Layout ,RT Nagar Bangalore-560032			
Title			
LCD Connector			
Size B	Document Number SE1605015	Modified By = Srinivasan	Rev 1.0
Date:	Tuesday, October 04, 2016	Sheet	8 of 16

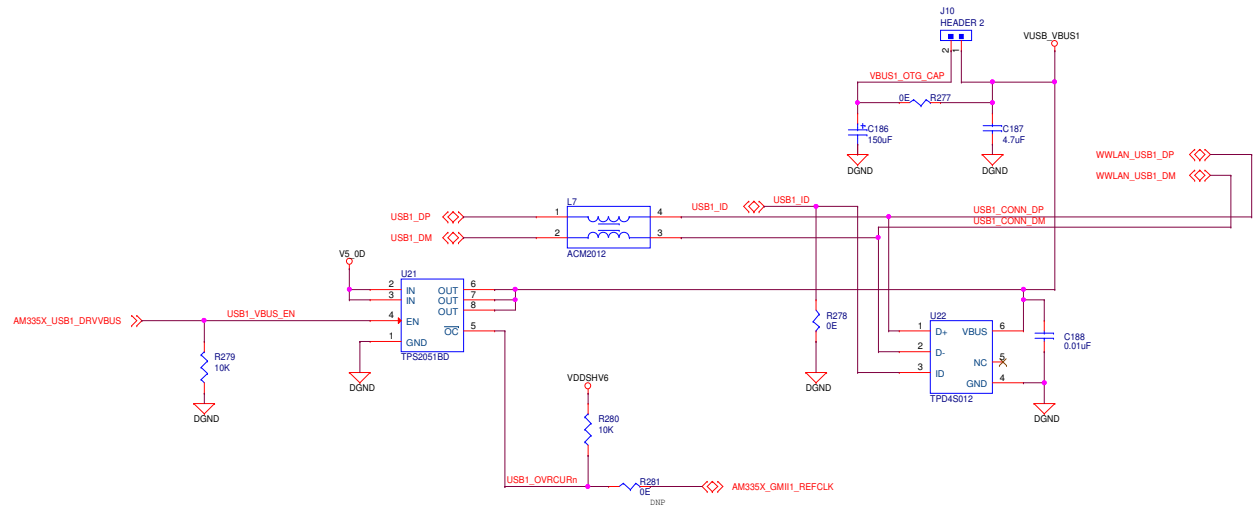


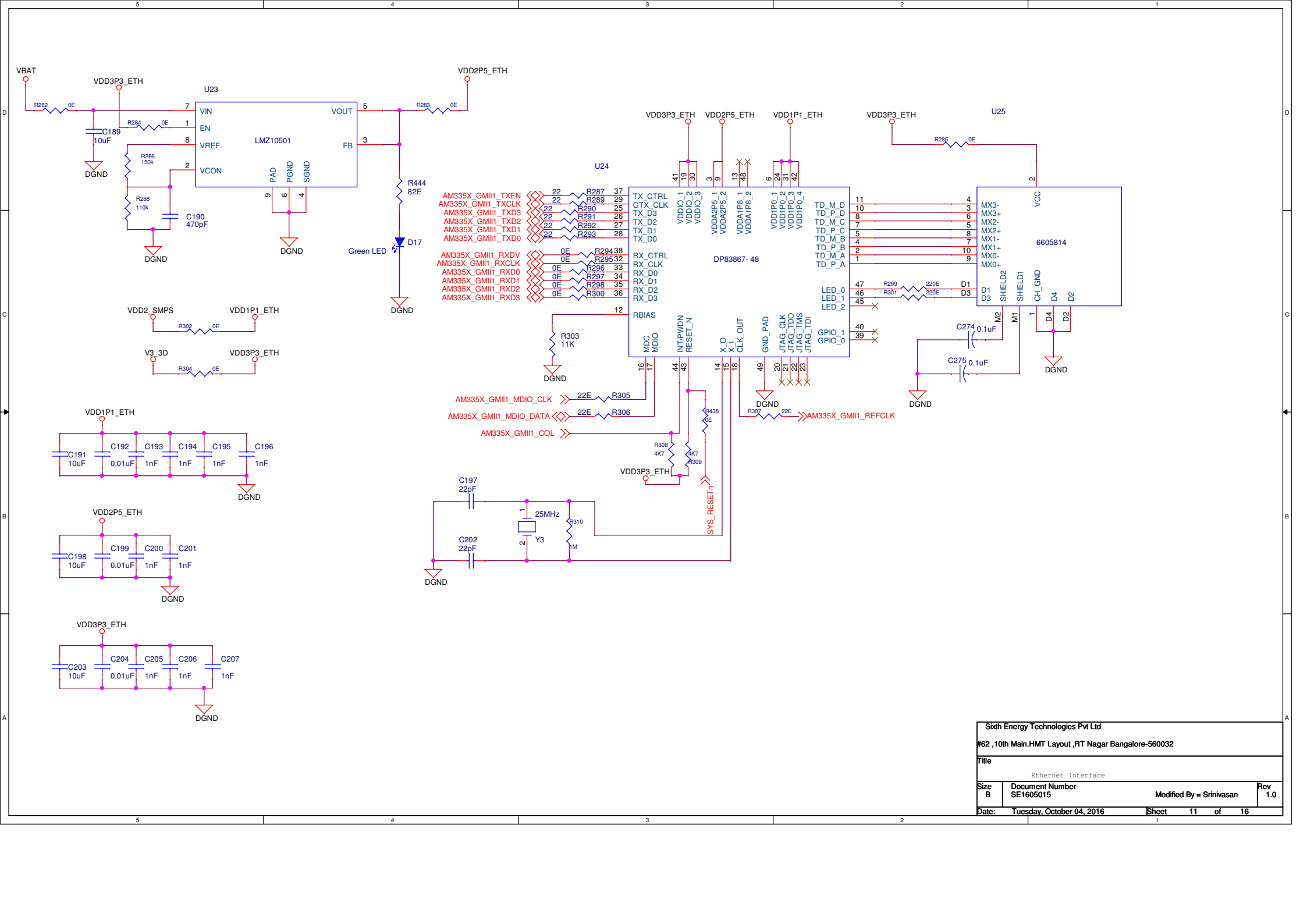


USB0 Port

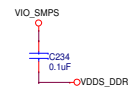
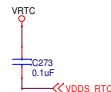
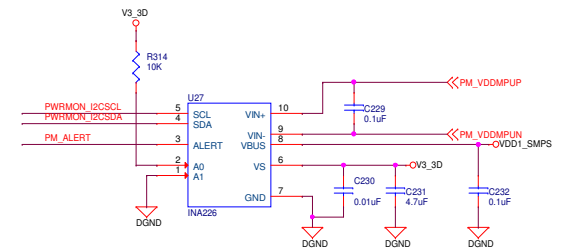
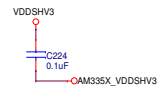
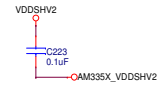
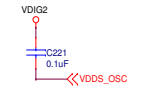
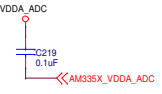
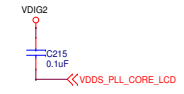
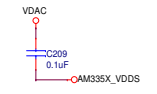
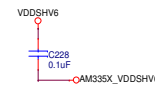
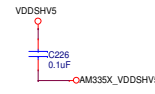
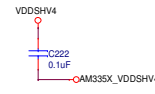
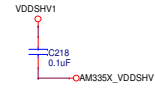
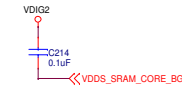
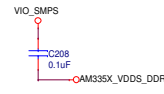
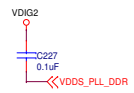
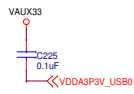
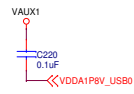
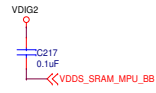
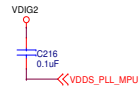
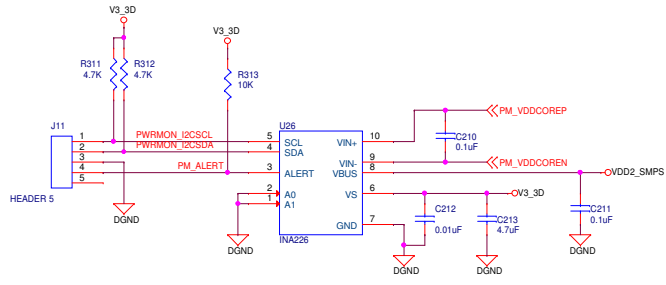


USB1 Port

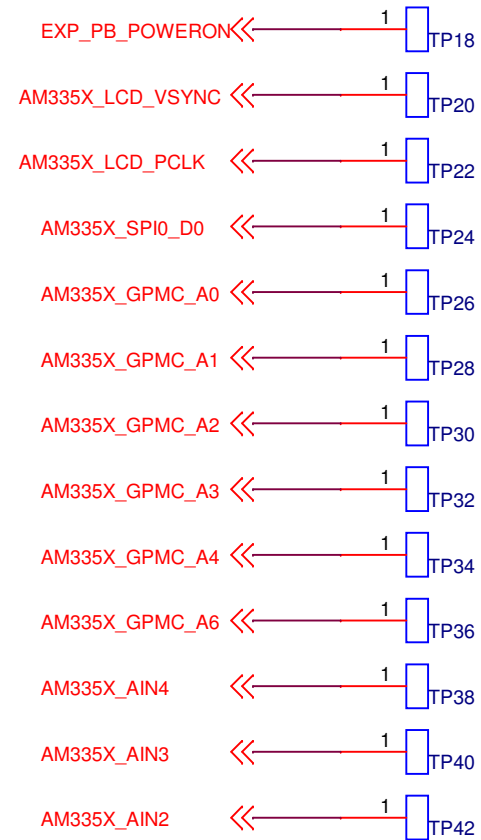
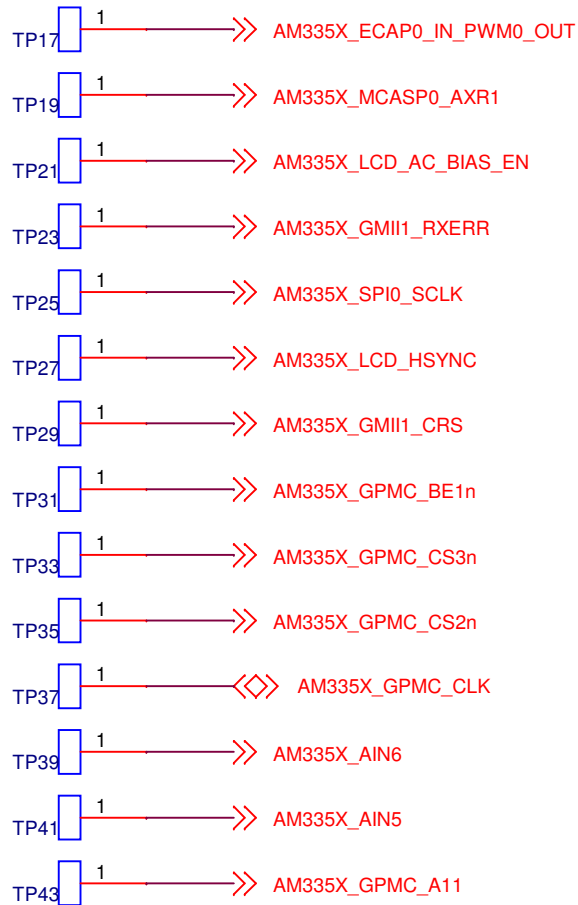




Sixth Energy Technologies Pvt Ltd			
#62 ,10th Main,HMT Layout ,RT Nagar Bangalore-560032			
Title			
Ethernet Interface			
Size B	Document Number SE1605015	Modified By = Srinivasan	Rev 1.0
Date: Tuesday, October 04, 2016	Sheet 11	of 16	



Sixth Energy Technologies Pvt Ltd			
#62, 10th Main, HMT Layout, RT Nagar Bangalore-560032			
Title			
Power Monitor			
Size	Document Number	Modified By =	Rev
C	SE1605015	Srinivasan	1.0
Date:	Tuesday, October 04, 2016	Sheet	12 of 16



Sixth Energy Technologies Pvt Ltd			
#62 ,10th Main.HMT Layout ,RT Nagar Bangalore-560032			
Title			
Test Points			
Size A	Document Number SE1605015	Modified By = Srinivasan	Rev 1.0
Date:	Tuesday, October 04, 2016	Sheet	15 of 16

