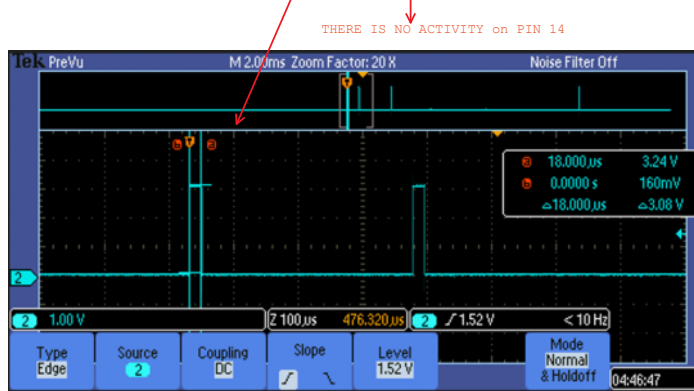
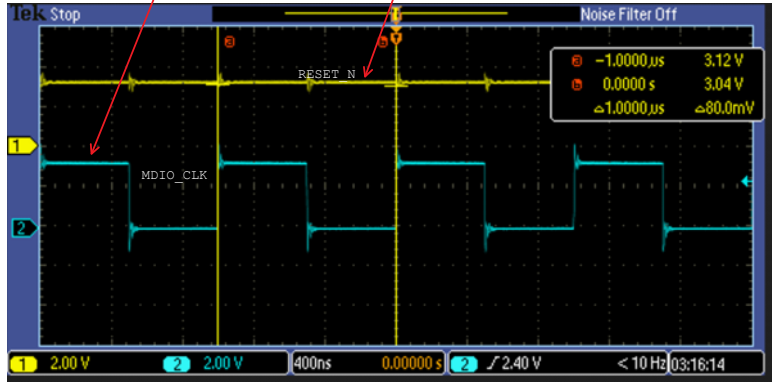
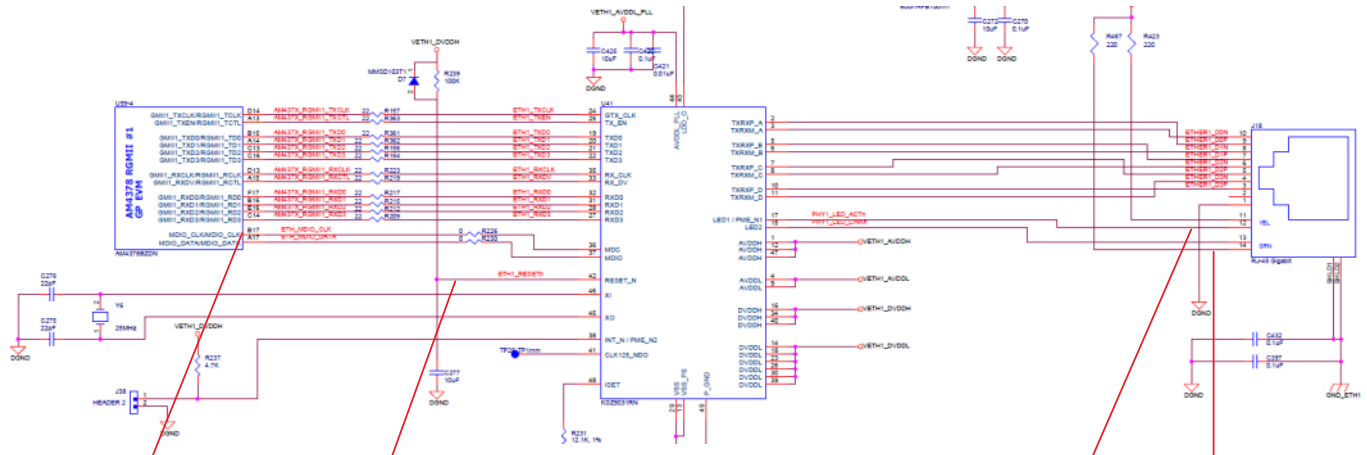


Waveform on MDIO_CLK + 1

Thursday, December 15, 2022 2:49 PM



THERE IS NO ACTIVITY on PIN 14

Additional observation

- On the boards we always had R437 populated and its not 10K as per schematics it is 1K

