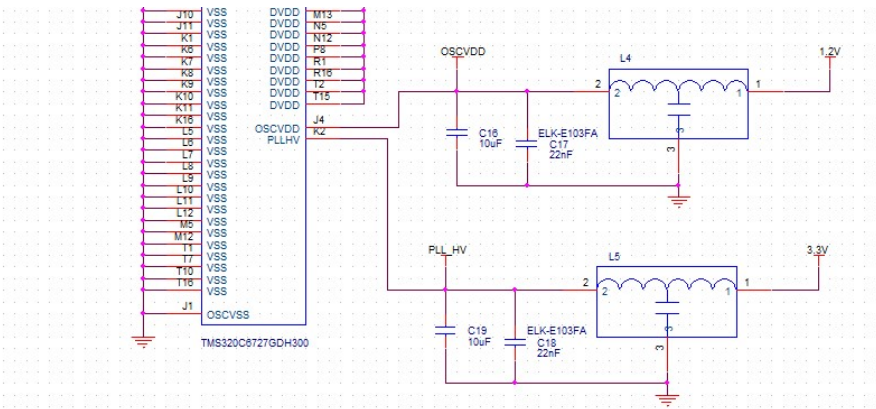
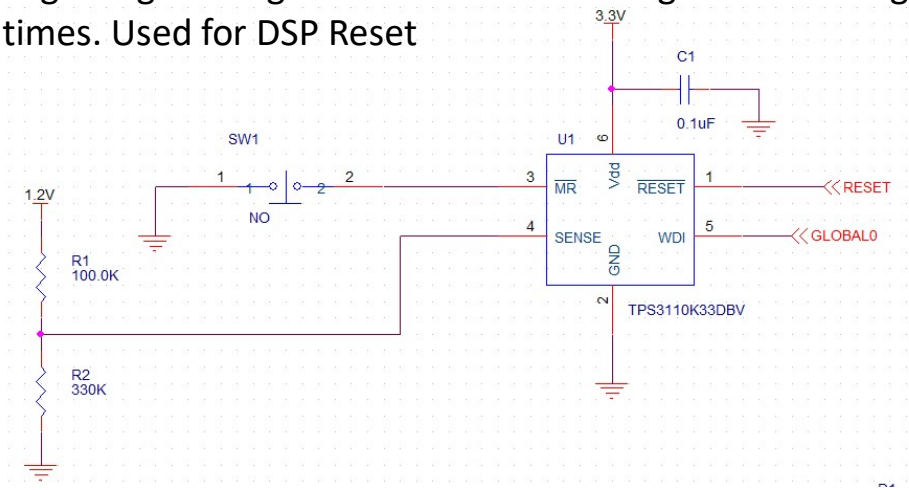


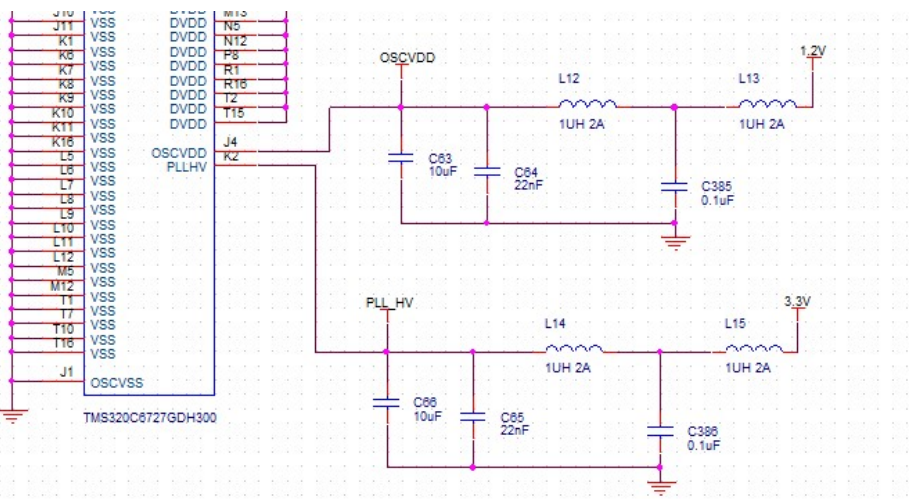
Working Design. Using ELK-E103FA Now obsolete



Working Design. Using TPS3110K33DBV. Changed due to long lead times. Used for DSP Reset



Design with Issues . Using Passives in place of ELK-E103FA.



Design with Issues . Using MAX6829SFUT+T in place of TPS3110K33DBV. Used for DSP Reset.

