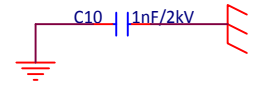
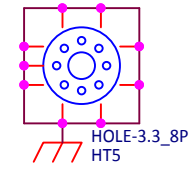
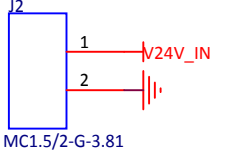
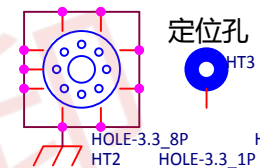


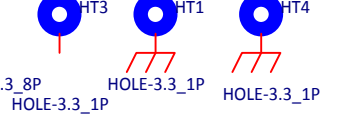
DF51-16DP-20s(50)



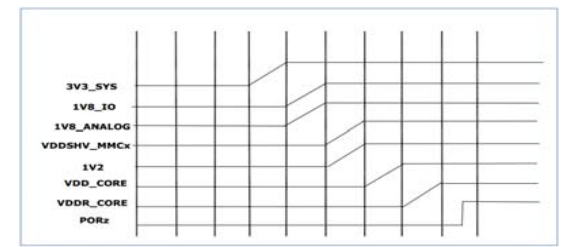
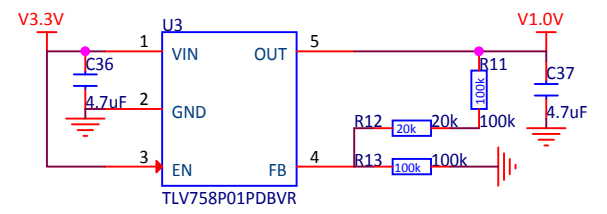
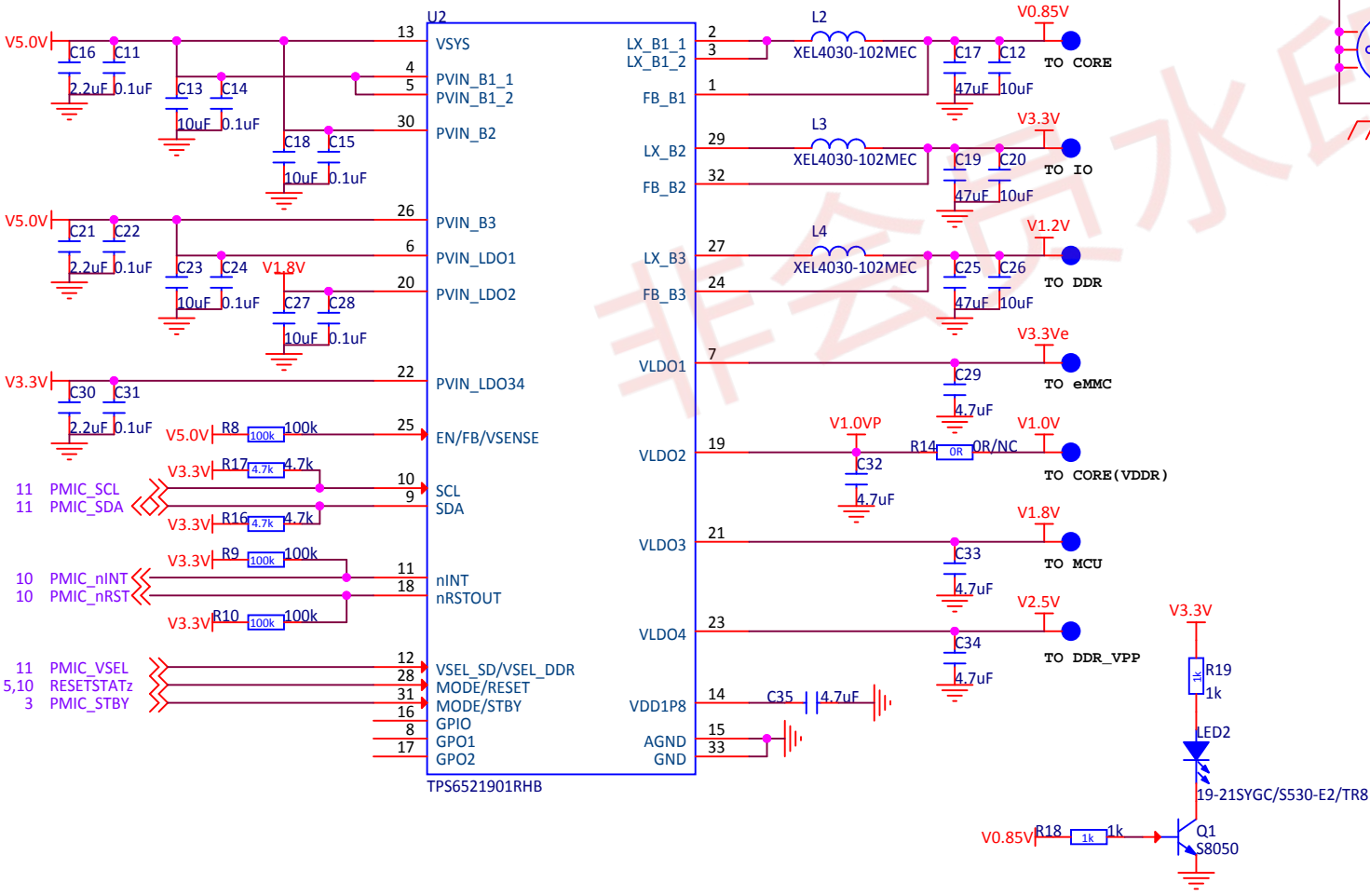
tips: It is connected to the crust through the positioning hole screws



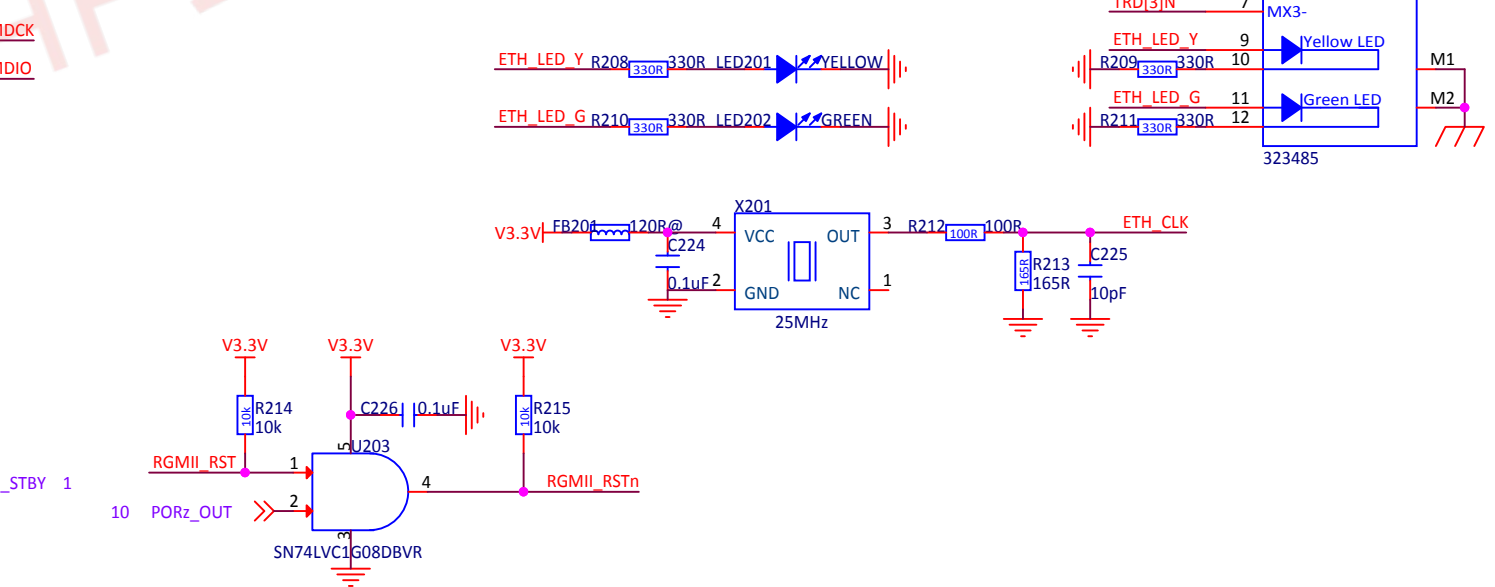
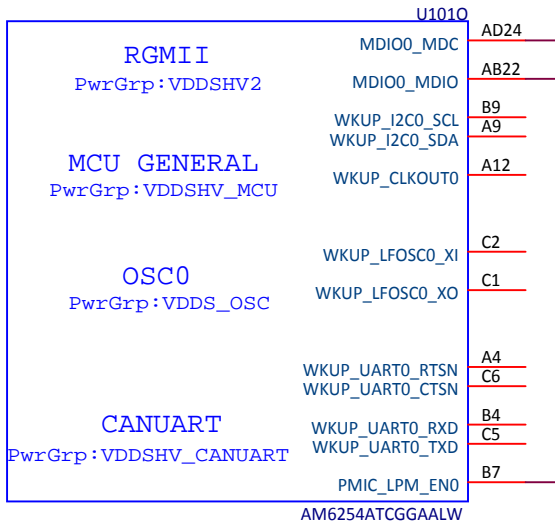
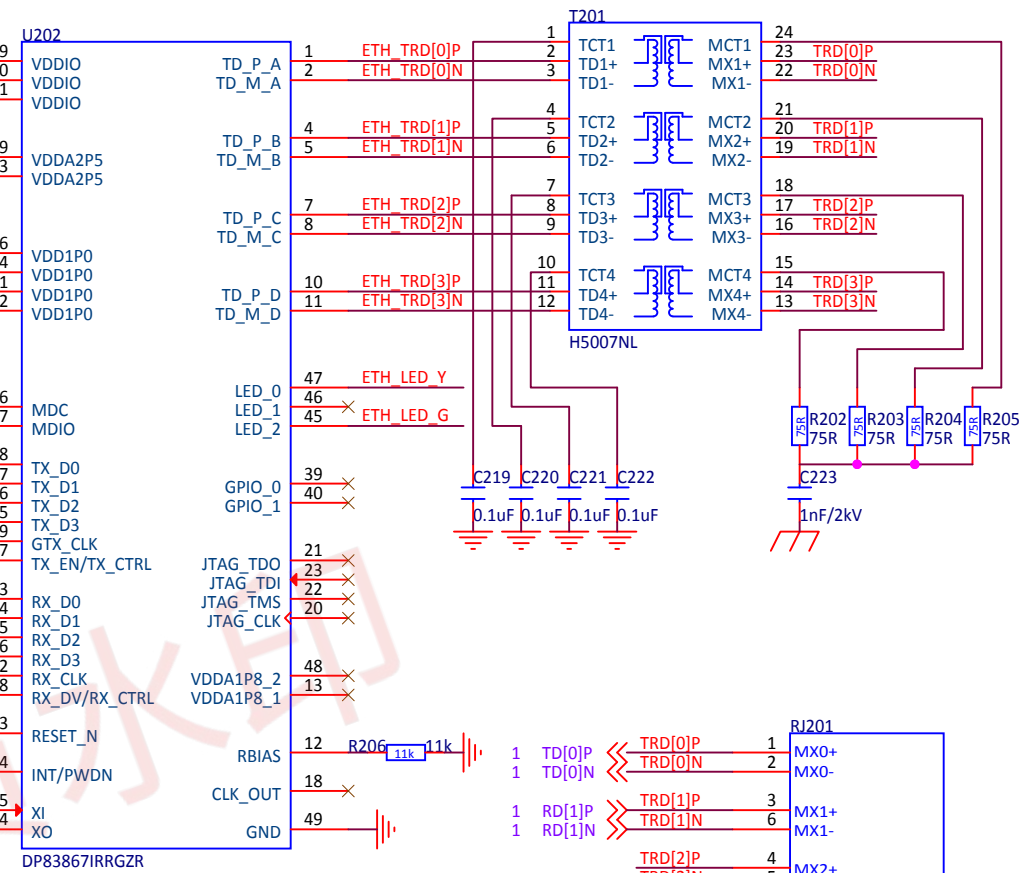
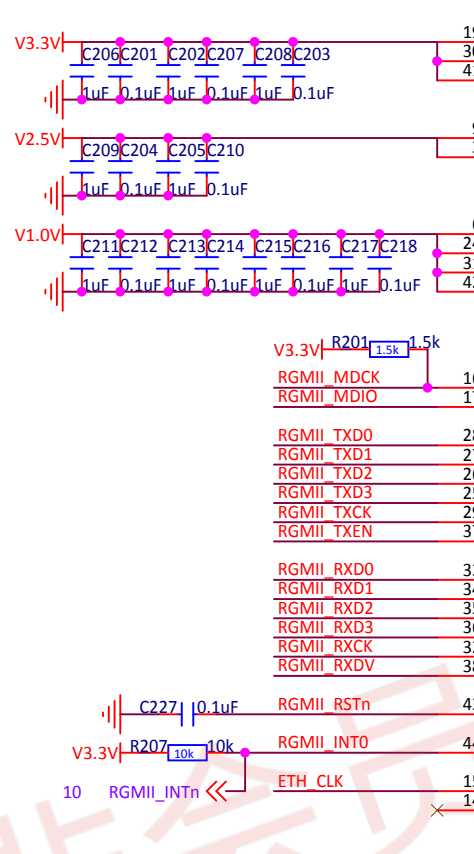
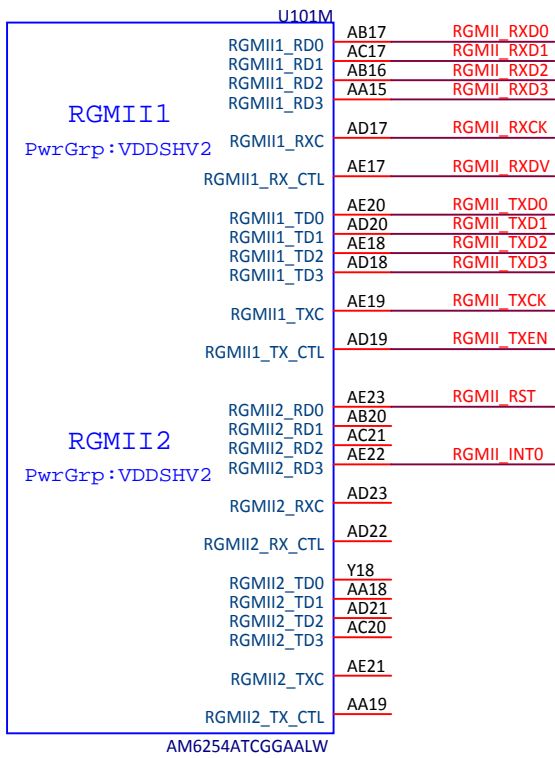
定位孔



MARK点



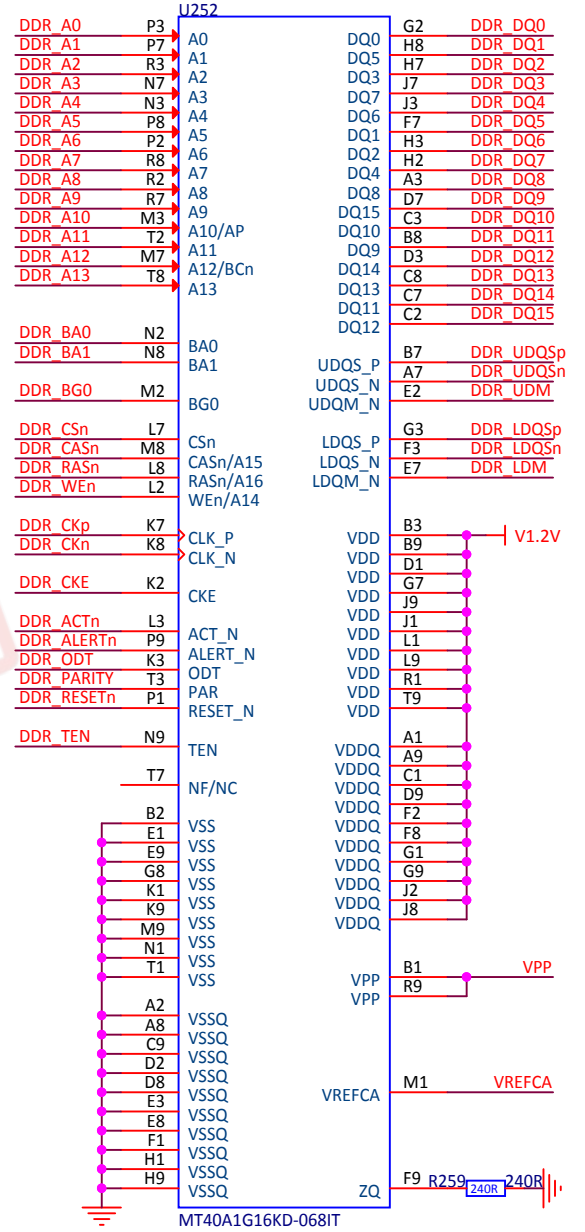
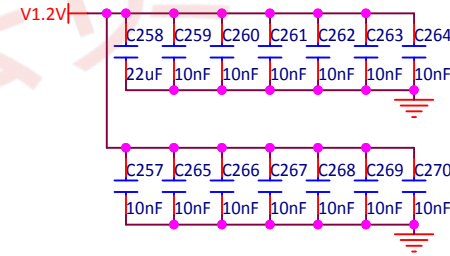
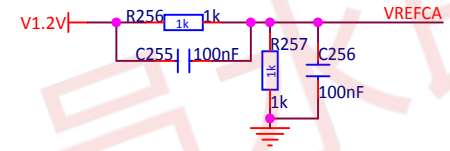
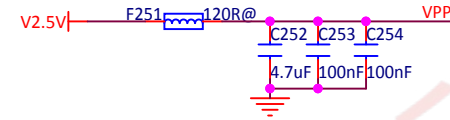
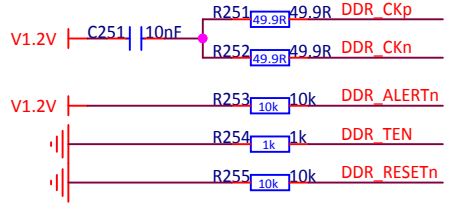


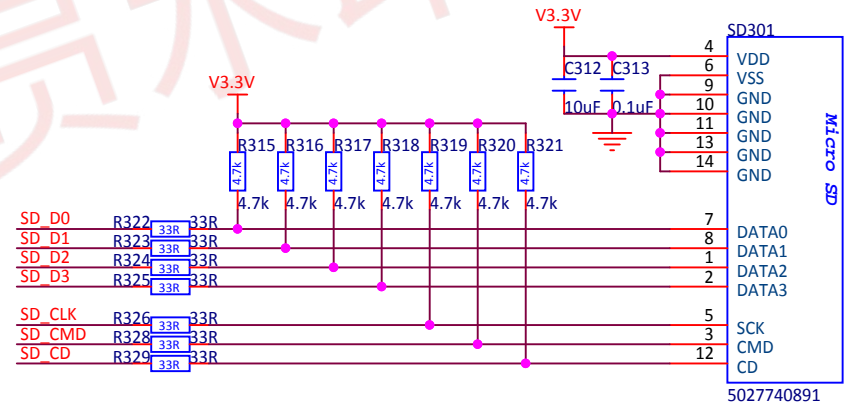
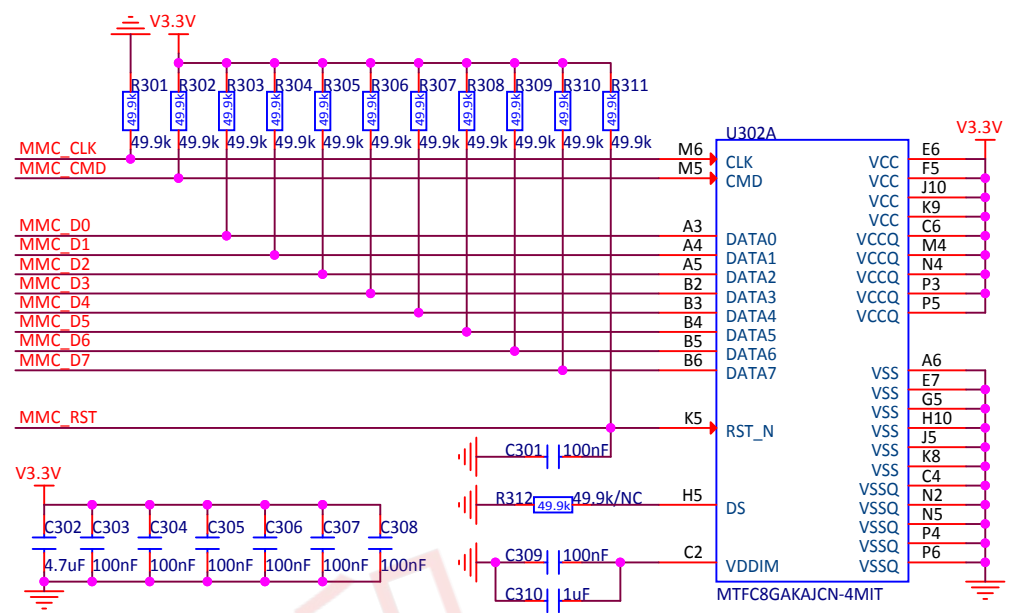
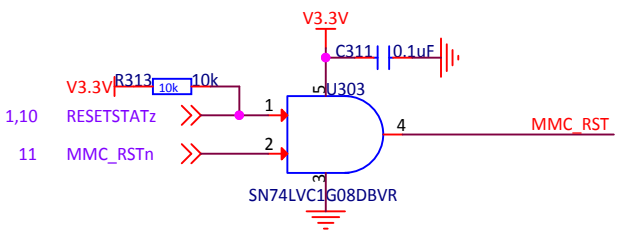
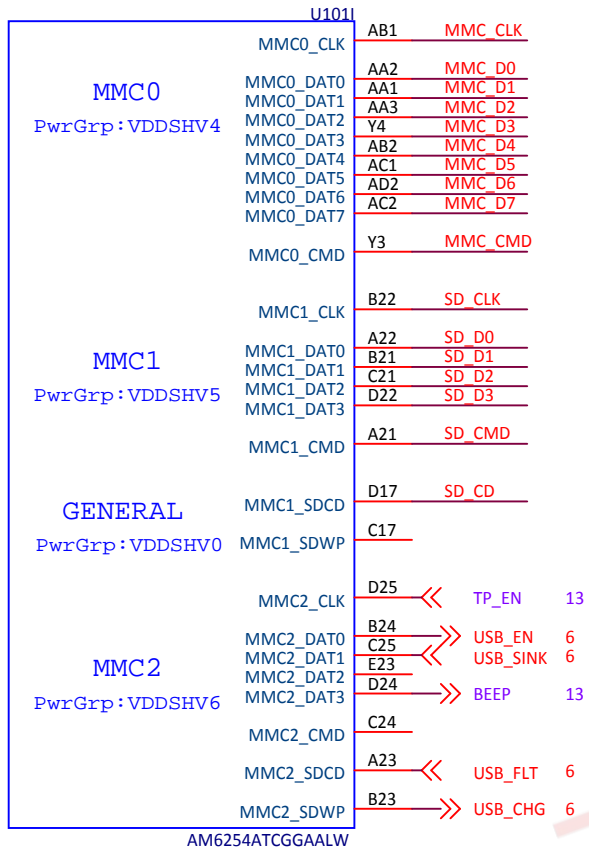


U101G			
DDR DQ0	F4	DDR0_DQ0	J1 DDR A0
DDR DQ1	G5	DDR0_DQ1	J2 DDR A1
DDR DQ2	F3	DDR0_DQ2	K3 DDR A2
DDR DQ3	H6	DDR0_DQ3	L5 DDR A3
DDR DQ4	E3	DDR0_DQ4	K4 DDR A4
DDR DQ5	G2	DDR0_DQ5	K1 DDR A5
DDR DQ6	F2	DDR0_DQ6	R2 DDR A6
DDR DQ7	F1	DDR0_DQ7	P2 DDR A7
DDR DQ8	U1	DDR0_DQ8	P1 DDR A8
DDR DQ9	U3	DDR0_DQ9	P4 DDR A9
DDR DQ10	U2	DDR0_DQ10	R5 DDR A10
DDR DQ11	V5	DDR0_DQ11	P5 DDR A11
DDR DQ12	W2	DDR0_DQ12	R6 DDR A12
DDR DQ13	V6	DDR0_DQ13	R1 DDR A13
DDR DQ14	Y1	DDR0_DQ14	
DDR DQ15	W1	DDR0_DQ15	
DDR BA0	M1	DDR0_BA0	H5 DDR LDM
DDR BA1	N1	DDR0_BA1	W5 DDR UDM
DDR BG0	T4	DDR0_BG0	E1 DDR LDQSp
	N2	DDR0_BG1	E2 DDR LDQSn
	T2	DDR0_ATB0	V1 DDR UDQSp
	U4	DDR0_ATB1	V2 DDR UDQSn
DDR CKp	L1	DDR0_CK0	
DDR CKn	L2	DDR0_CK0_N	
DDR CE	H2	DDR0_CKE0	
	J4	DDR0_CKE1	
DDR CSn	L6	DDR0_CS0_N	
	K2	DDR0_CS1_N	
DDR ODT	H1	DDR0_ODT0	
	J3	DDR0_ODT1	
DDR ACTn	N6	DDR0_ACT_N	
DDR ALERTn	R3	DDR0_ALERT_N	
DDR CASn	M4	DDR0_CAS_N	
DDR PARITY	T1	DDR0_PAR	
DDR RASn	M5	DDR0_RAS_N	
DDR RESETn	G1	DDR0_RESET0_N	
DDR WEn	N3	DDR0_WE_N	

DDR  
PwrGrp: VDDSD\_DDR, VDDSD\_DDR\_C

AM6254ATCGGAALW



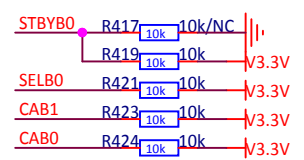
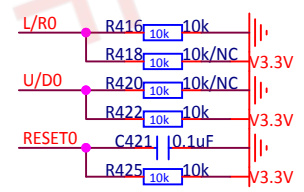
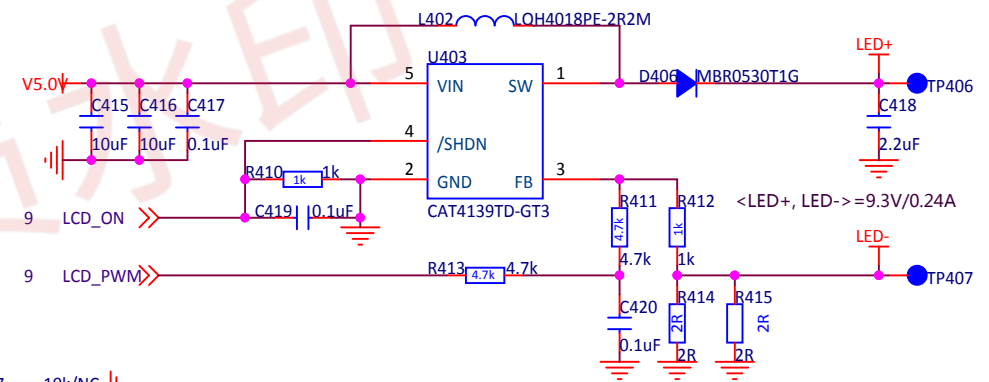
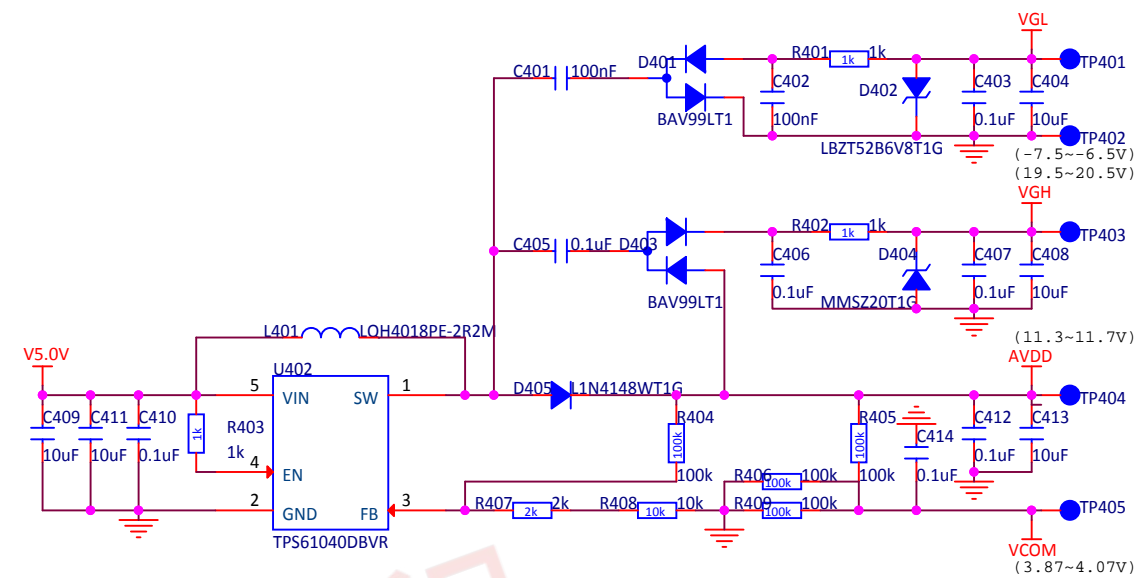
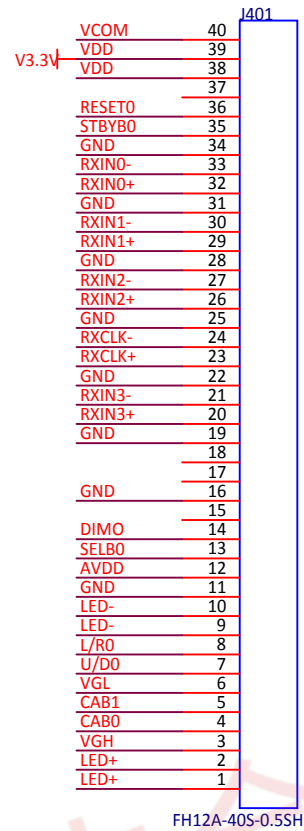
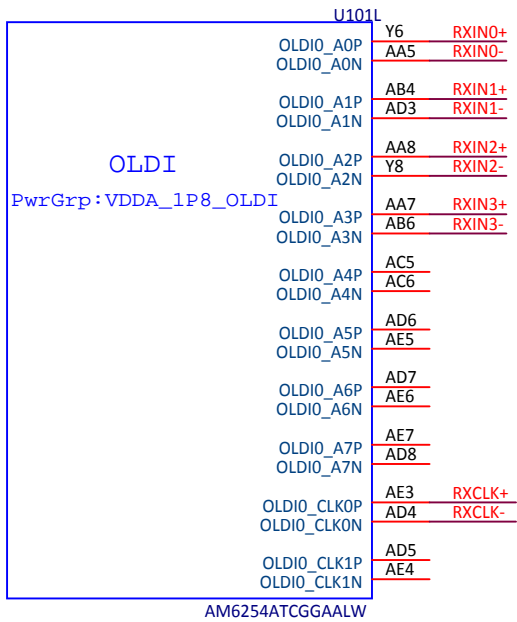


非会员水印

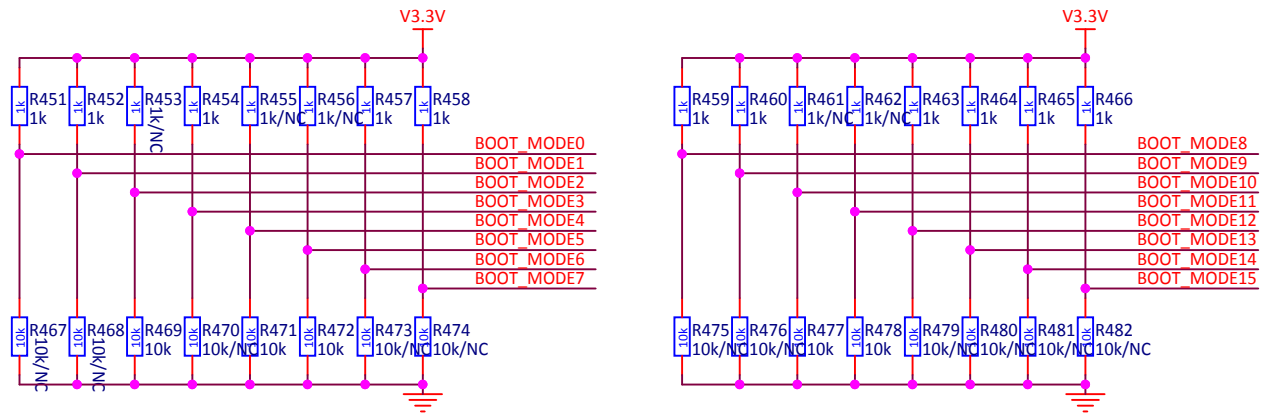
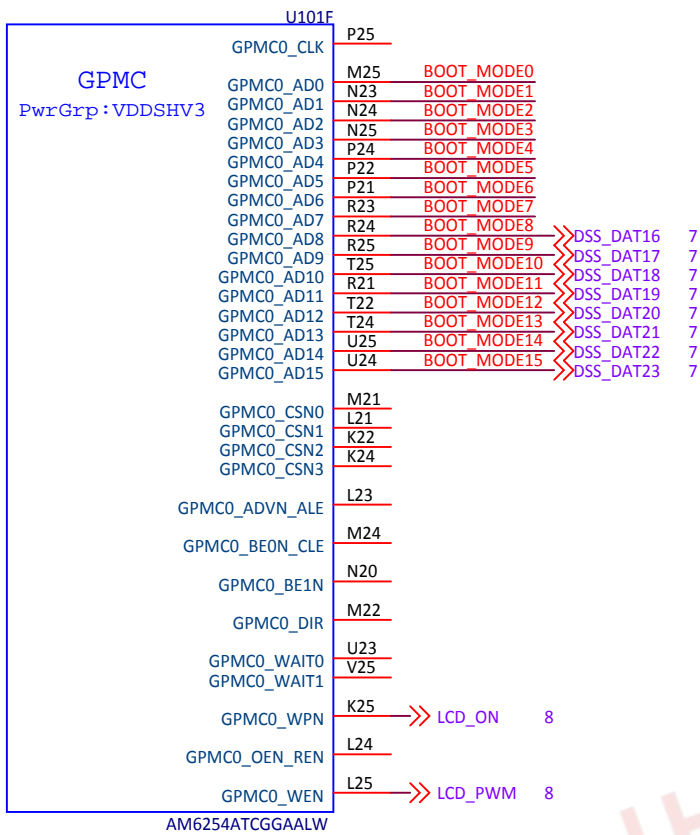






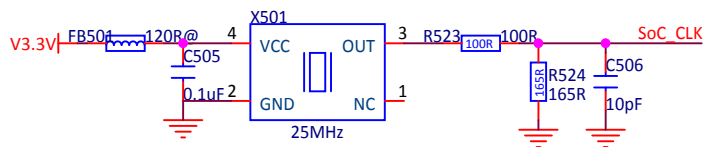
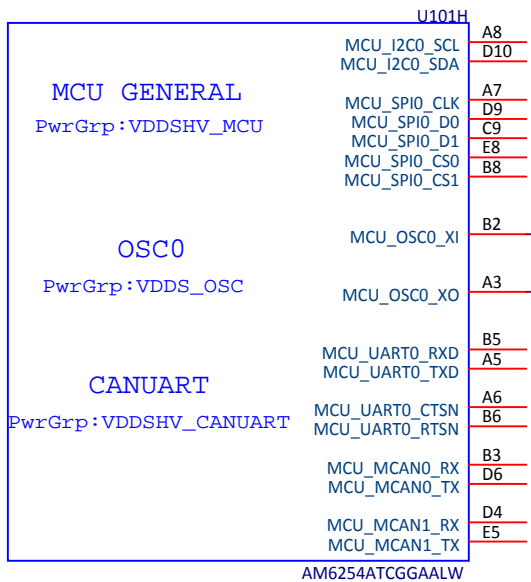
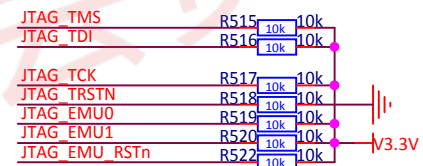
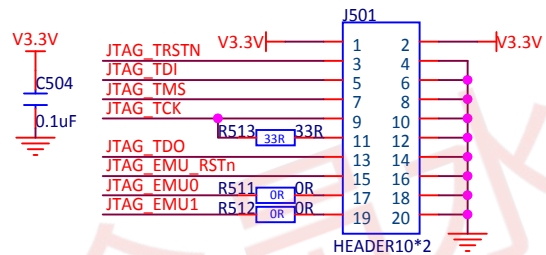
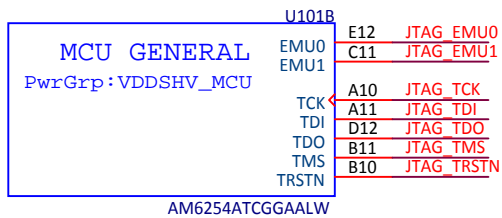
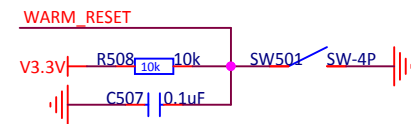
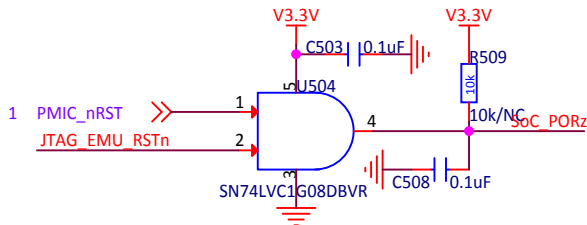
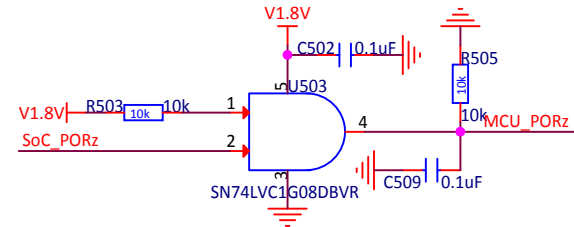
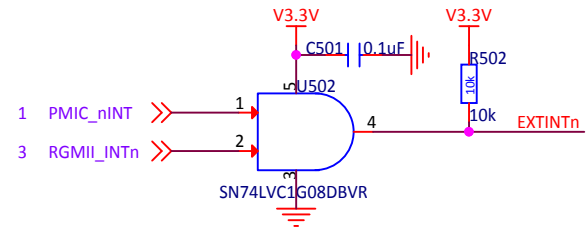
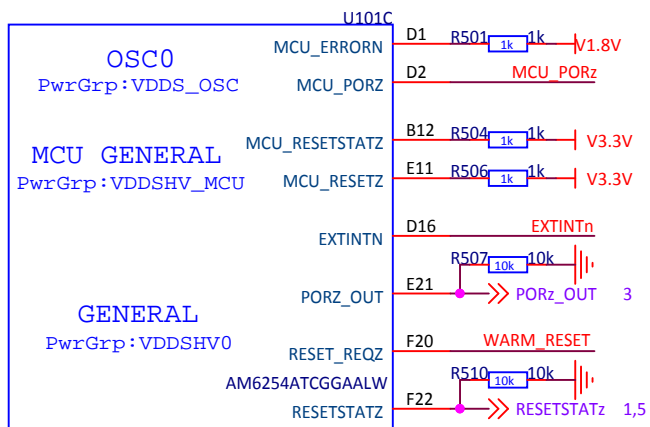


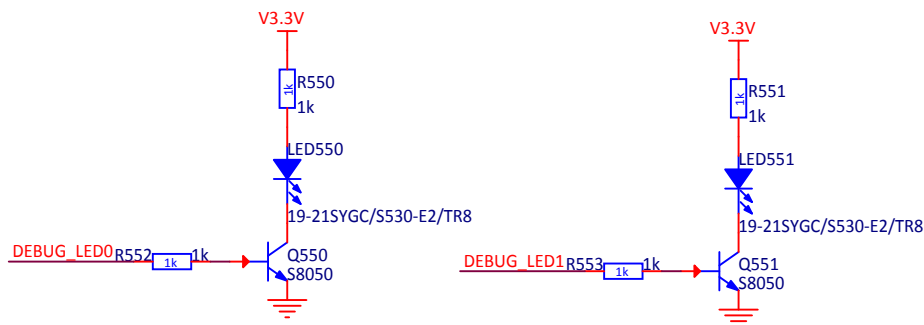
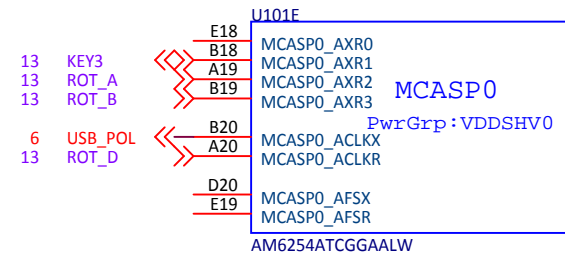
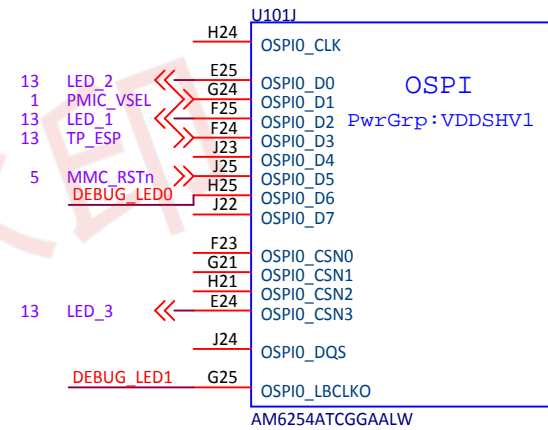
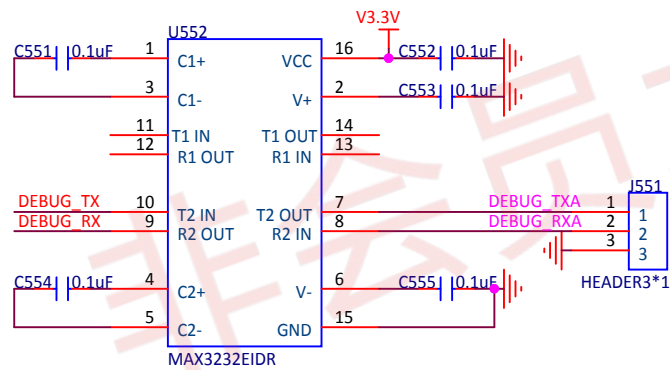
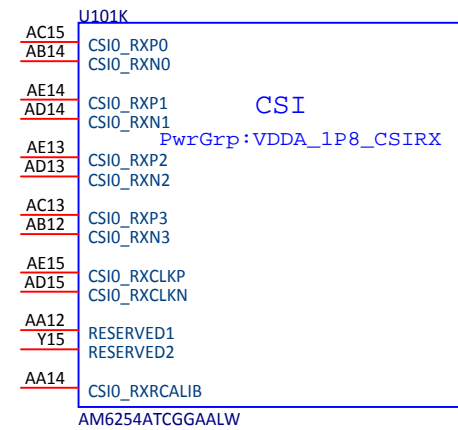
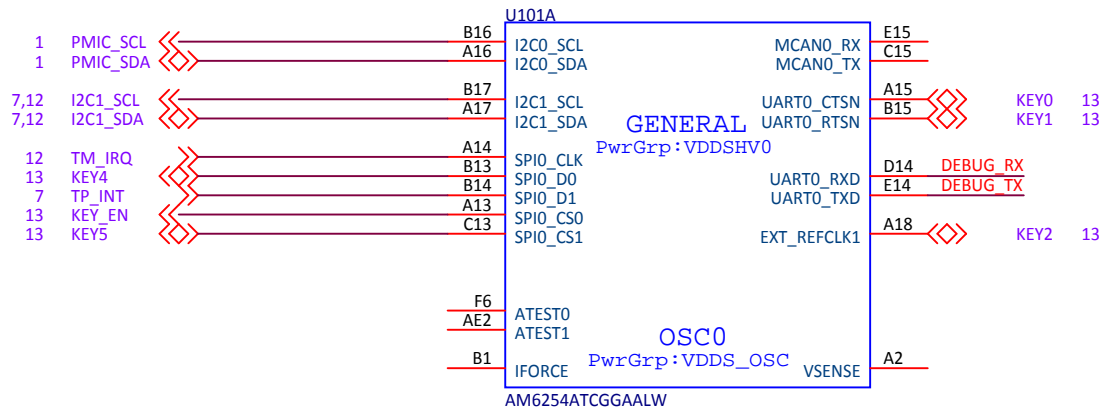


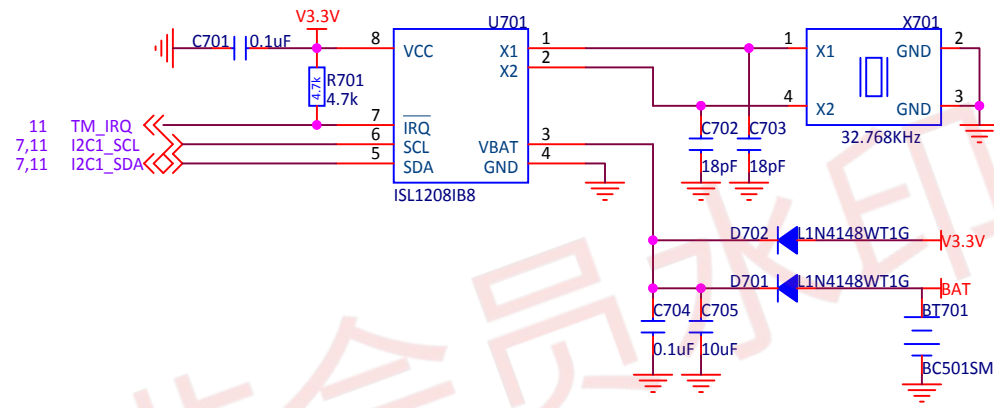


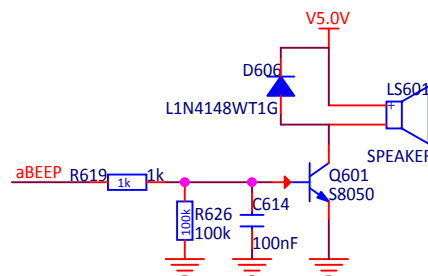
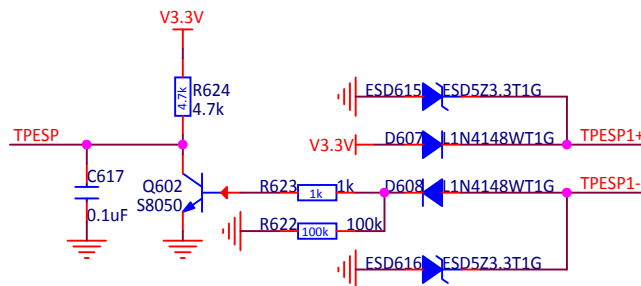
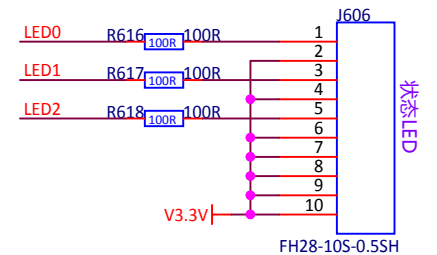
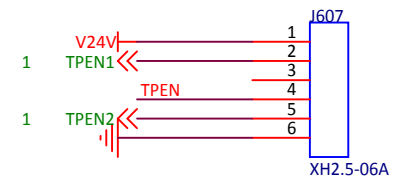
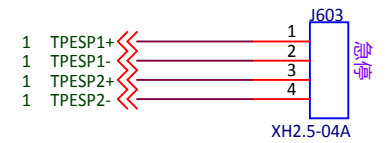
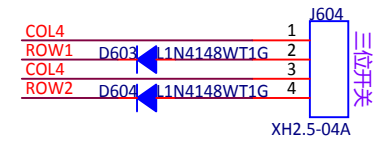
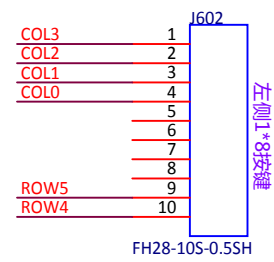
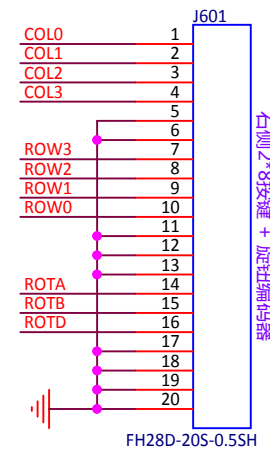
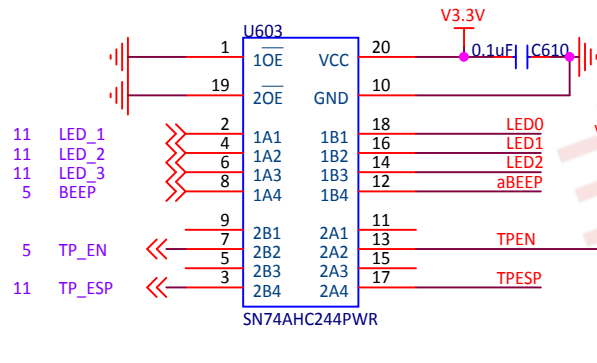
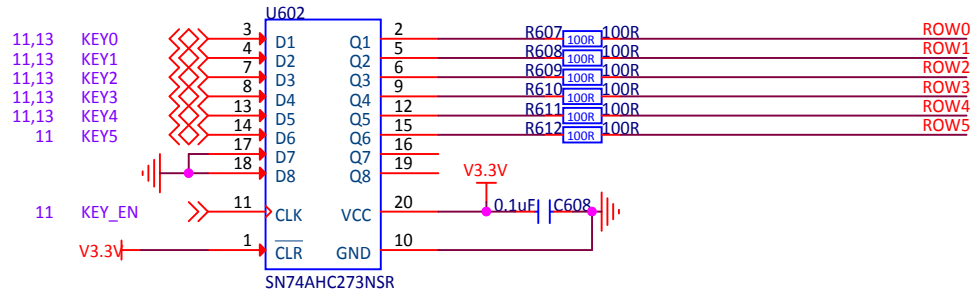
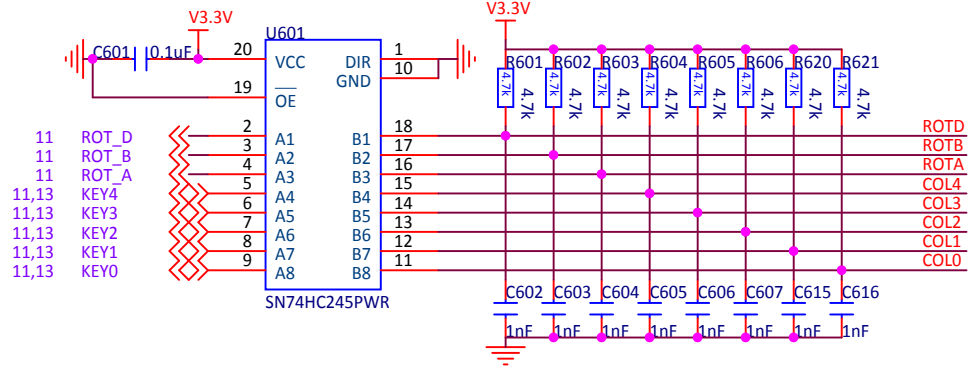
B2	B1	B0	REFCLK (MHz)	B13	B12	B11	B10	Backup Boot Mode
0	0	0	19.2	Reserved	0	0	0	None
0	0	1	20	Mode	0	0	1	USB
0	1	0	24	Reserved	0	1	0	Reserved
0	1	1	25	Reserved	0	1	1	UART
1	0	0	26	Reserved	1	0	0	Ethernet
1	0	1	27	IF	1	0	1	MMCSD
1	1	0	Reserved	Reserved	1	1	0	SPI
1	1	1	Reserved	Reserved	1	1	1	I2C

B9	B8	B7	B6	B5	B4	B3	Primary Boot Mode
Reserved	Read Mode 2	Read Mode 1	0	0	0	0	Serial Nand
Reserved	lclk	Csel	0	0	0	1	OSPI
Reserved	lclk	Csel	0	0	1	0	QSPI
Reserved	Mode	Csel	0	0	1	1	SPI
Clkout	0	Link Info	0	1	0	0	RGMI
Clkout	lclk src	0	0	1	0	1	RMII
Bus reset	Reserved	Addr	0	1	1	0	I2C
Reserved	Reserved	Reserved	0	1	1	1	UART
1	Reserved	Fs/raw	1	0	0	0	MMCSD
Reserved	Reserved	Reserved	1	0	0	1	eMMC
Core Volt	Mode	Lane Swap	1	0	1	0	USB
Reserved	Reserved	Reserved	1	0	1	1	GPMC NAND
Reserved	Reserved	Reserved	1	1	0	0	GPMC NOR
Reserved	Reserved	Reserved	1	1	0	1	Reserved
SFPD	Read CMD	Mode	1	1	1	0	xSPI
Reserved	ARM/Thumb	No/Dev	1	1	1	1	No-boot/Dev boot









非会员水印

靠近连接器放置，注意地平面！

右侧2\*8按键 + 旋钮编码器

左侧1\*8按键

三位开关

急停

状态LED