

LC\_BBL\_MPU\_MOT\_V2\_00 2022.09.07.

PCB : LC\_BBL\_MPU\_MOT\_V2.00  
2022.09.07.

개발이력

1. 2016. 03.16. LC\_MPU\_STR\_SUB\_V1\_000 & 1U\_RCA\_MOT\_V2\_00

Sitara AM335x SUB BOARD 설계, 기존 제품 형용환  
ETHERNET, 232 Connector 일체 형으로 전면 L0, KEY(SUBBOARD),  
후면 SNMP가 삽입되는 구조로 설계됨.

1. 2016. 06.02. LC\_RCA\_MPU\_MOT\_V1\_00 2016.06.14

단가 절감 설계로 MPU sub와 MOT PCB를 통합 및 FA 설계

2. 2016. 10.31.

1U / 2U Shelf 통합 및 RCA Shelf 호환 정렬

2. 2016. 11.29.

U13 결선 오류 수정

LC\_BBL\_MPU\_MOT\_V2\_00 2022.09.07.

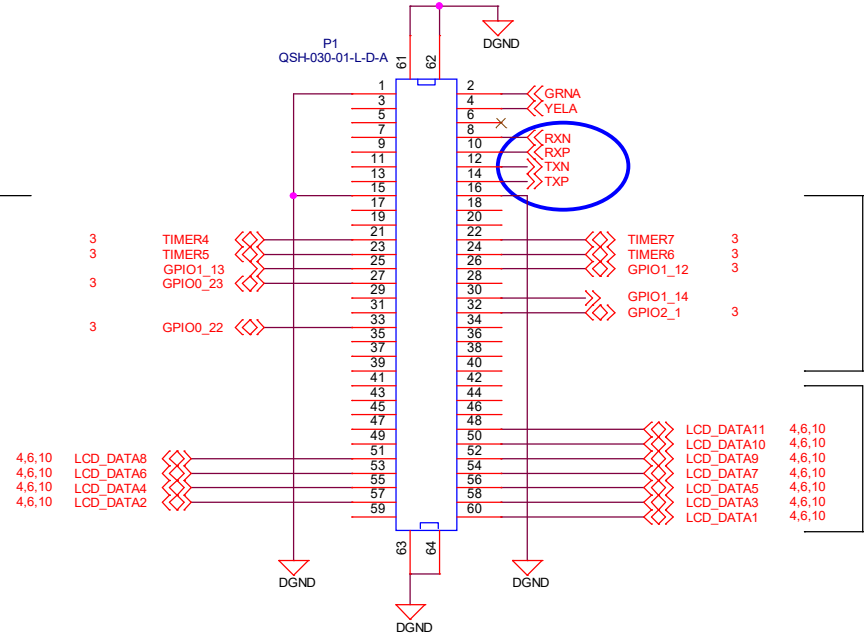
개발이력

1. 2022. 09.07.

- DCDC Module change : 12to5 DC Module(SRBC-16A2A0G)
- Board to Board Connector change
- Load Balance IC => Hot Swap IC change

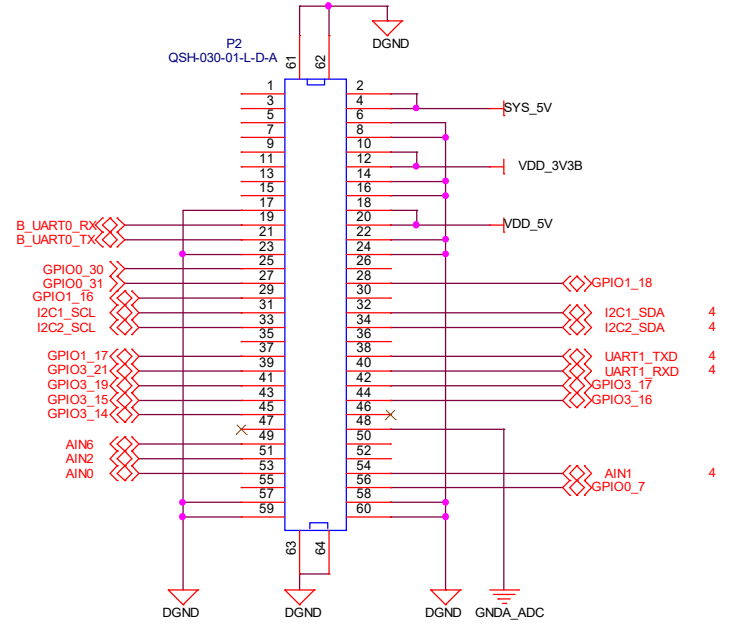
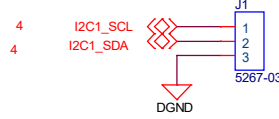
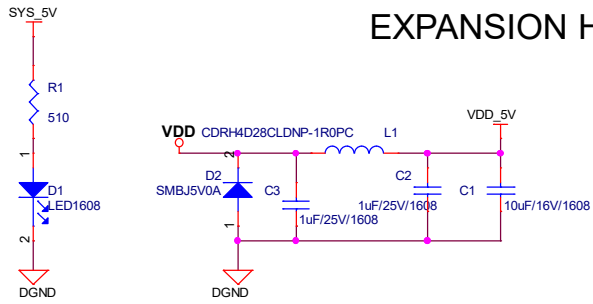
LiComm Dev.3		
Title		
00. History		
Size	Document Number	Rev
A	SCH-LC-BBL_MPU_MOT-001	01
Date:	Wednesday, September 07, 2022	Sheet 1 of 8

**CAUTION:  
USED ON  
BOARD**

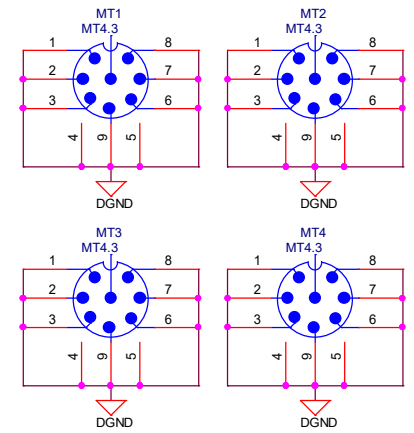


**CAUTION:  
USED ON  
BOARD**

### EXPANSION HEADER

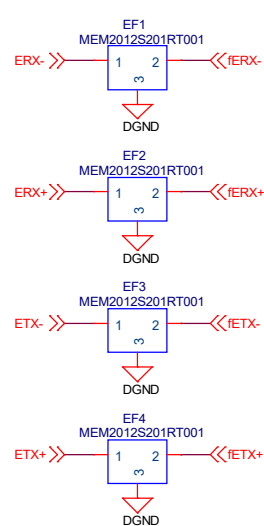
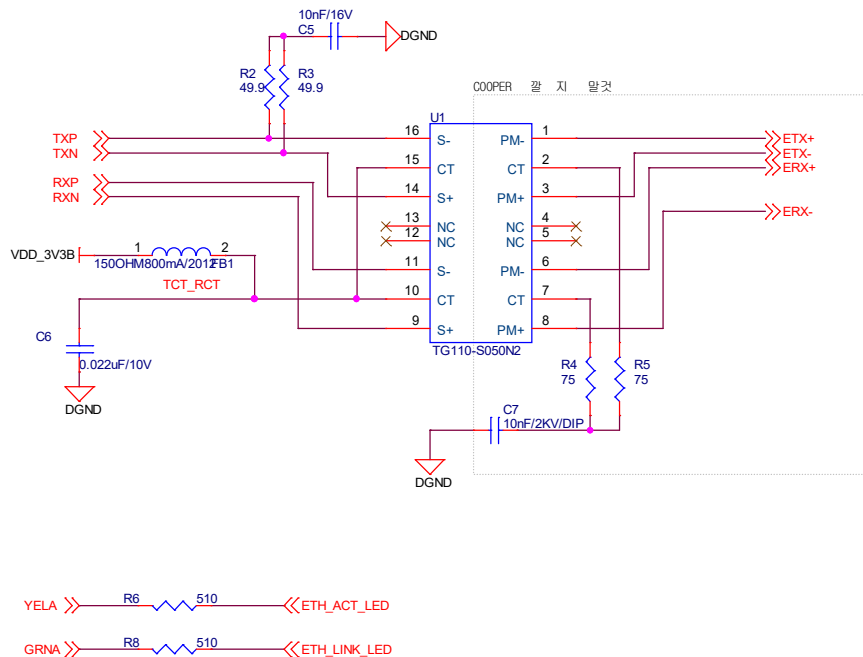


### EXPANSION HEADER

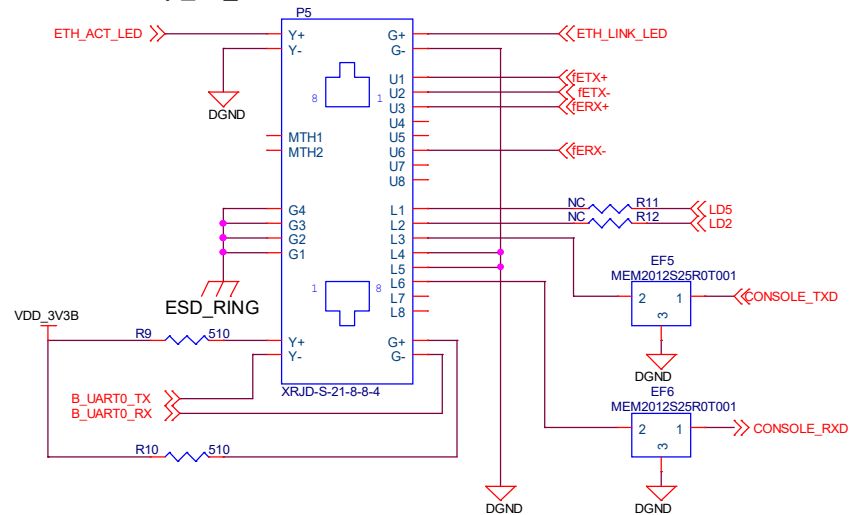


<b>LiComm Dev.3</b>		
Title		
<b>01. BDCON, JTAG Conn.</b>		
Size	Document Number	Rev
B	<b>SCH-LC-RCA_MPU_MOT-001</b>	01
Date:	Monday, September 12, 2022	Sheet 2 of 8

# ETHERNET CONNECTOR



## LED 방향 및 P 극당 확인 필요



LiComm Dev.3

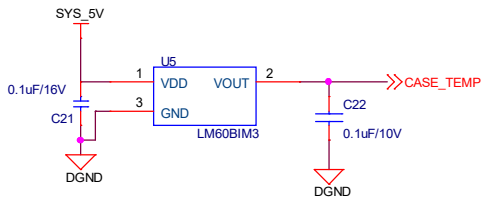
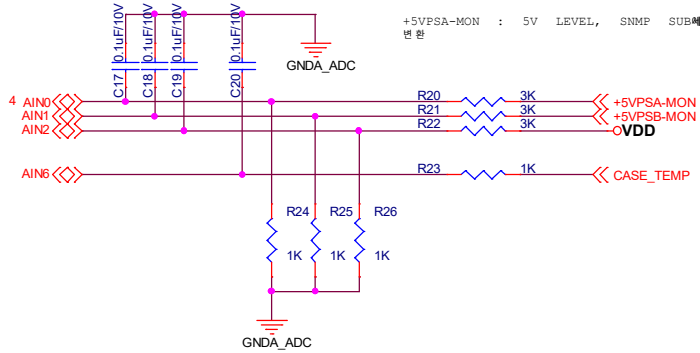
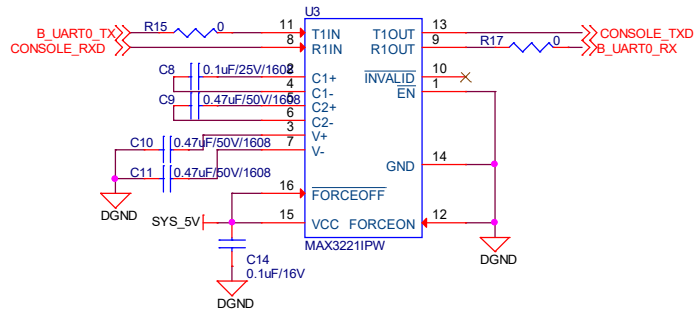
Title  
**02. ETHERNET**

Size B Document Number  
**SCH-LC-RCA\_MPU\_MOT-001**

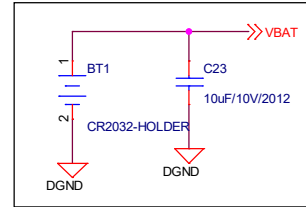
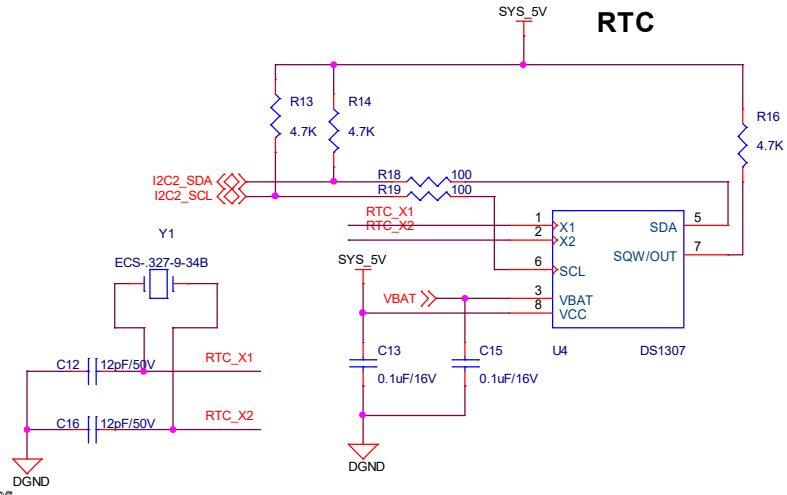
Rev  
01

Date: Monday, September 12, 2022 Sheet 3 of 8

# CONSOLE RS232-COMM

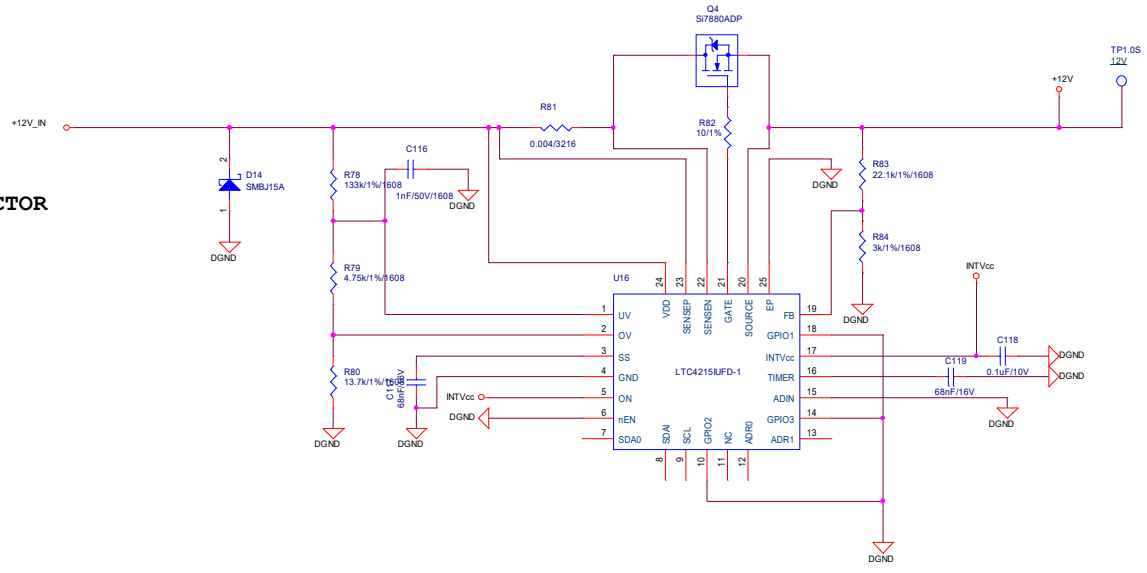


# RTC

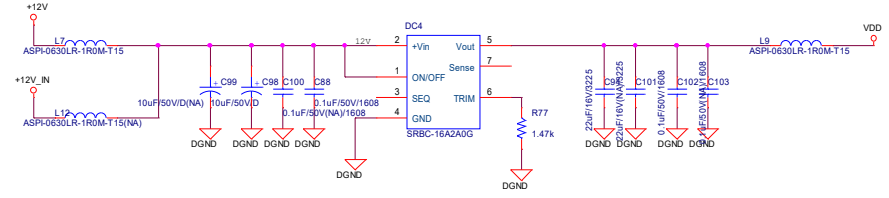
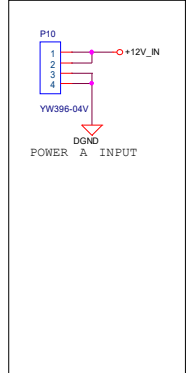


## LiComm Dev.3

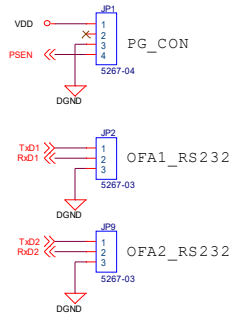
Title		
03. CONSOLE/I2C/Interface		
Size	Document Number	Rev
B	SCH-LC-RCA_MPU_MOT-001	01
Date: Monday, September 12, 2022		
Sheet		4 of 8



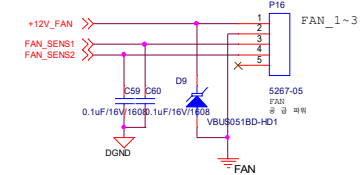
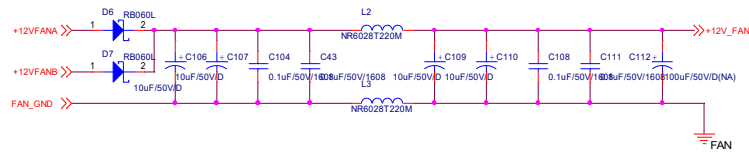
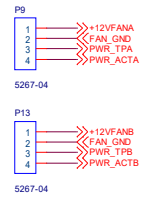
**POWER INPUT CONNECTOR**



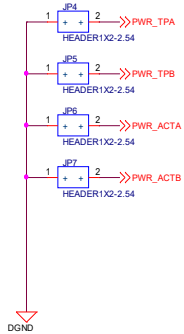
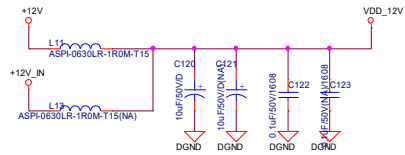
<b>LJComm Dev. 3</b>		
File 04.PWR		
Size	Document Number	Rev
C	SCH-C-BB_MPU_MOT-001	01
Date:	Friday, October 14, 2022	Sheet 5 of 8

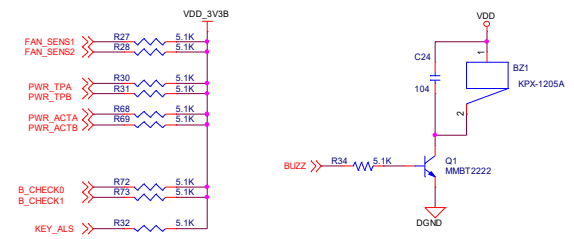
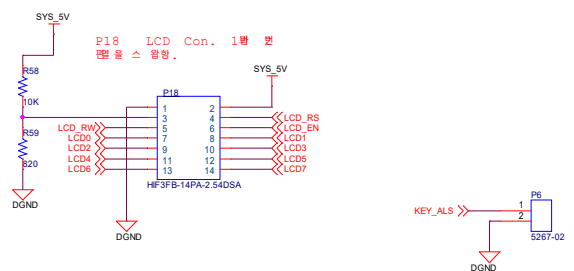
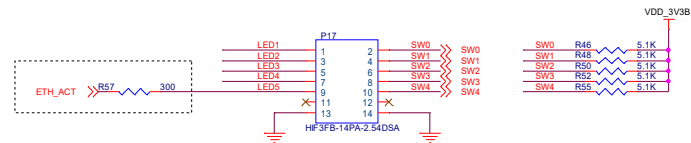
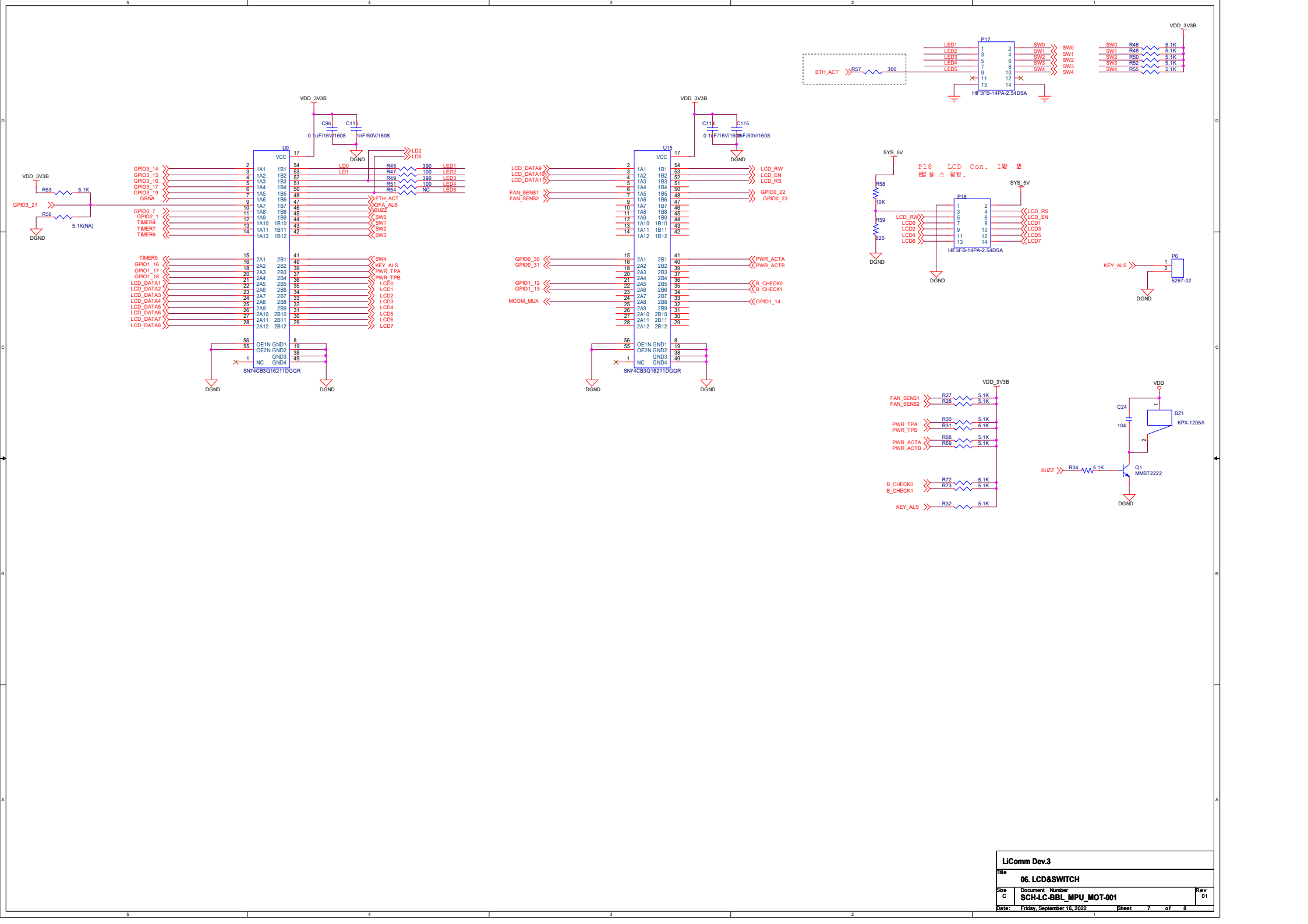


### FAN CONTROL MODULE CONNECTION PART



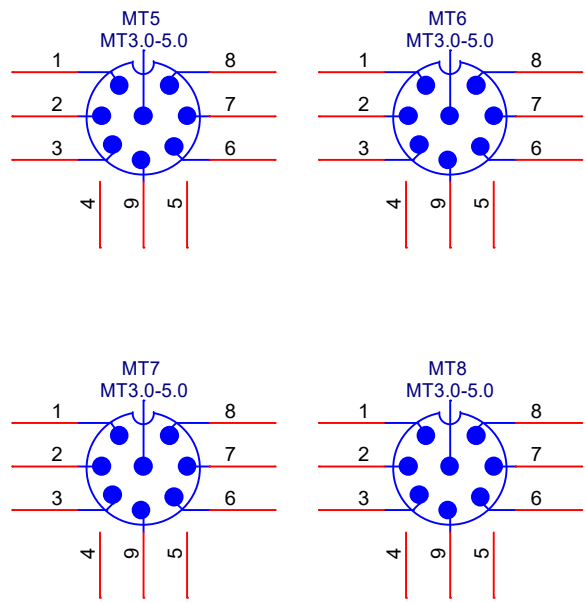
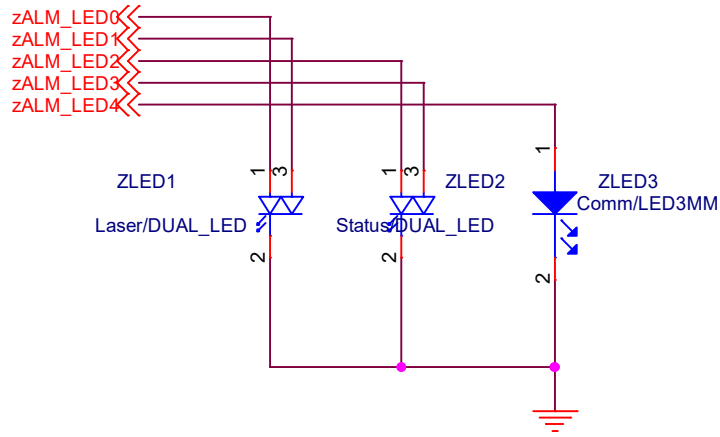
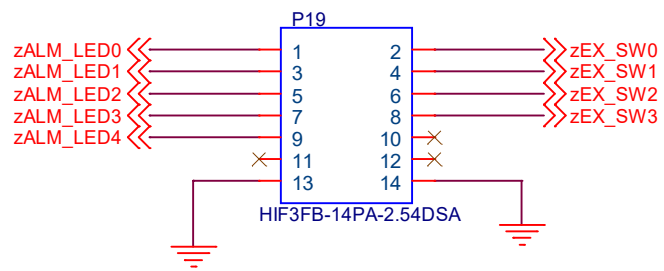
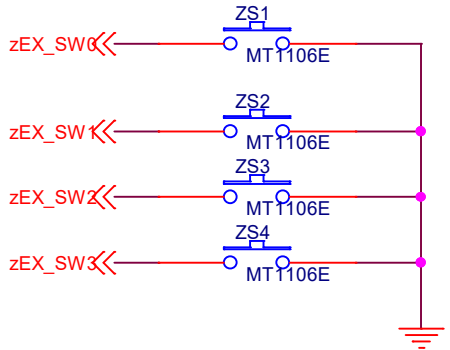
### HP-EYDFA InterLOCK Part





Switch & LED Board

PCB : BBL-SW-LED\_V1.00  
2016.11.07.



LiComm Dev.3		
Title <b>07. SWITCH &amp; LED</b>		
Size A	Document Number <b>SCH-LC-BBL_MPU_MOT-001</b>	Rev 01
Date: Monday, September 12, 2022	Sheet 8	of 8