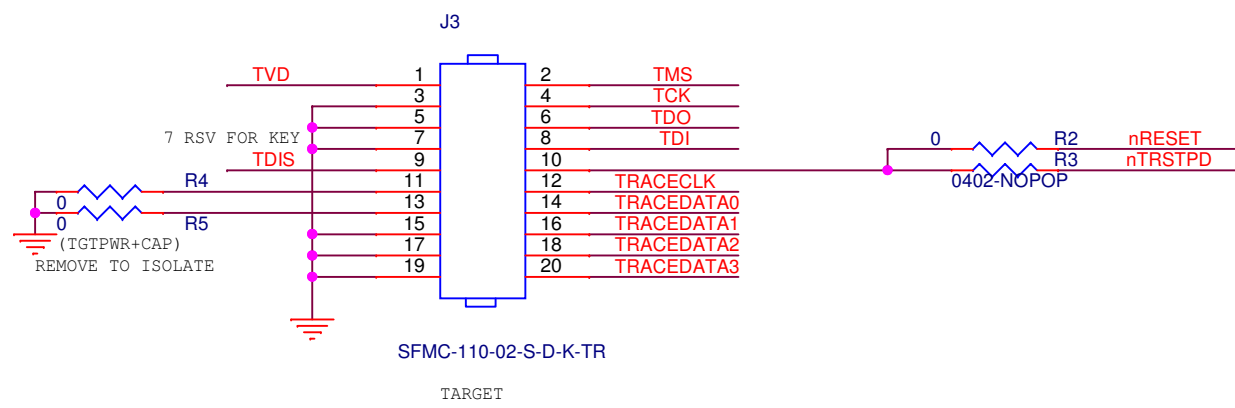


FTR-110-03-G-D-LC-06

EMULATOR

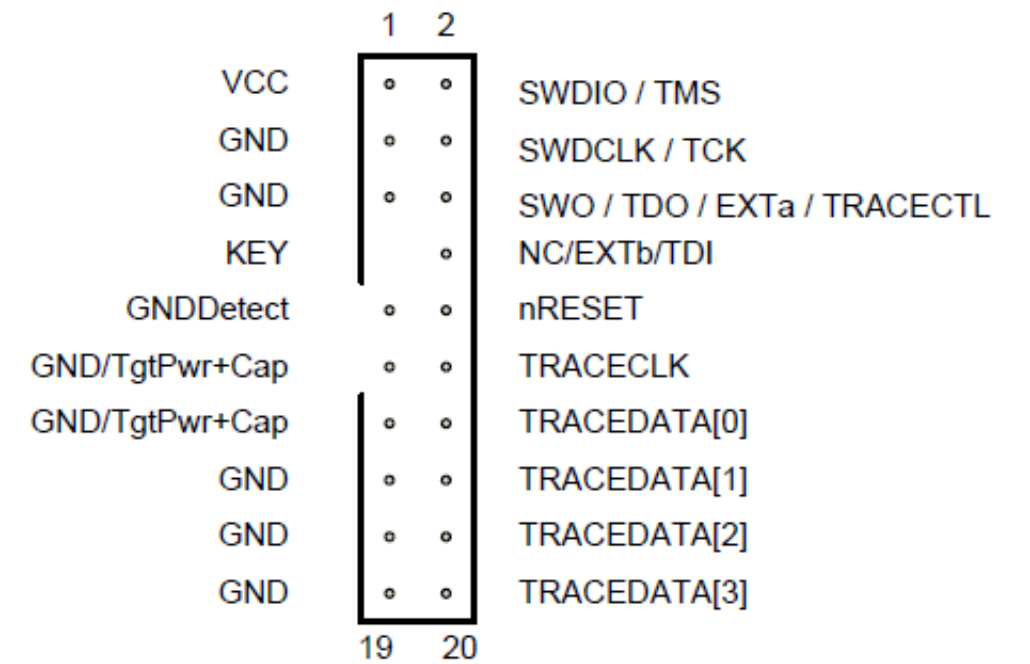
EMU0	TRACEDATA1
EMU1	TRACEDATA2
EMU2	TRACECLK
EMU3	TRACEDATA0
EMU4	TRACEDATA3

THIS PIN MAPPING MATCHES XDS560V2



SFMC-110-02-S-D-K-TR

TARGET



REVISION STATUS OF SHEETS

REV	DESCRIPTION	DATE
1	APPLICATION	06/20/2016

REV	DESCRIPTION	DATE
1	APPLICATION	06/20/2016

TEXAS INSTRUMENTS

Preliminary Information - Subject to change

Title: CTI20 (IN)-ARM20-ETM(OUT) JTAG ADAPTER

Page Contents: THE DESIGN

Size: B DOC NO: 510402-TI REV: A

Date: Monday, June 20, 2016 Sheet 1 of 1