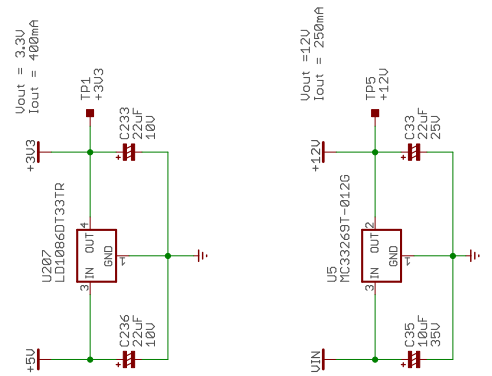
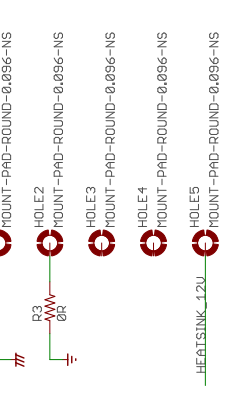
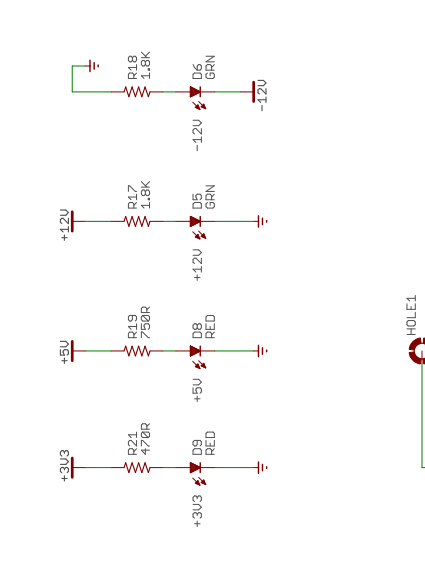
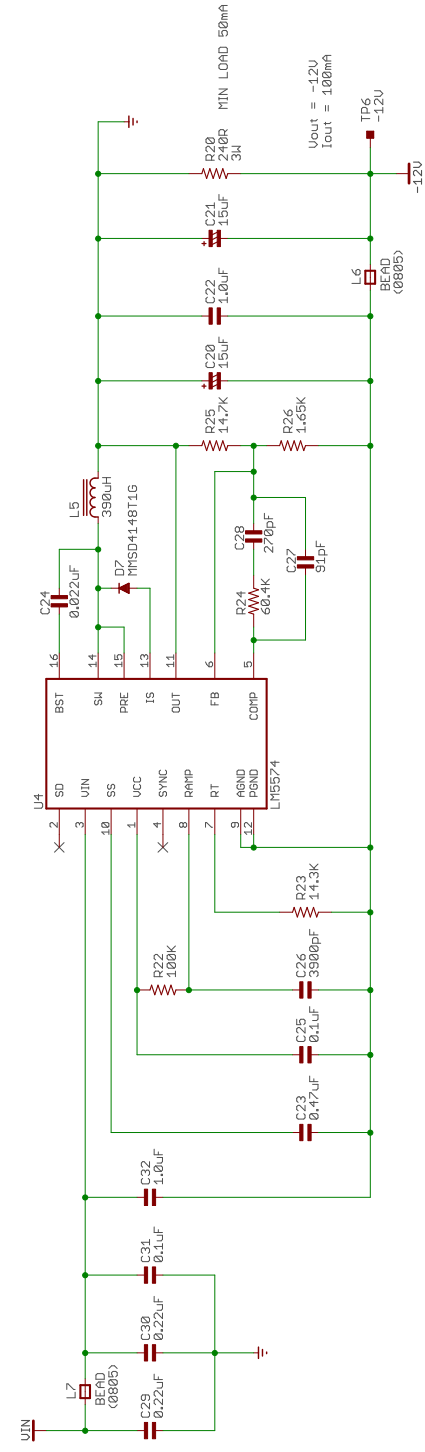
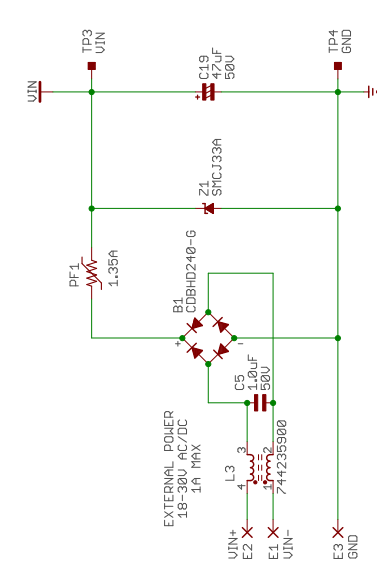
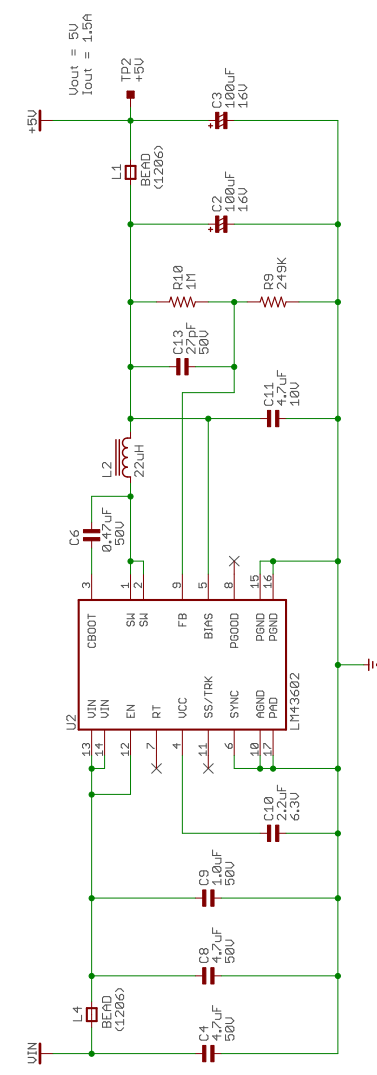


THIS DRAWING CONTAINS CONFIDENTIAL INFORMATION. ANY REPRODUCTION IN PART OR WHOLE IS STRICTLY PROHIBITED WITHOUT WRITTEN PERMISSION.
PROPRIETARY



LOWER COST 800mA SUBSTITUTE
 MC33269T-012G



- SHIELD COVER
 BOM-ENTRY1
 BMT-S-203-C
- SHIELD1
 BMT-S-203-F
- SHIELD COVER
 BOM-ENTRY2
 BMT-S-203-C
- SHIELD2
 BMT-S-203-F
- STANDOFF
 BOM-ENTRY3
 4505-256-AL-7
 QTY = 3
- POWER RECEPTACLE
 BOM-ENTRY5
 17280-2PG-300
- POWER PLUG
 BOM-ENTRY6
 16282-256-315

ISSUE	HEAP POWERFUL CONTROLS	© 2014
DRAWN	TITLE	REV
CHECKED	PMX42 POWER	A
R.STARR	DATE	DRG N9
R.STARR	6/15/2017 9:50 AM	ED-52101.100
DATE	XX/XX/XX	FILE: 52101-101-REV-A
XX/XX/XX		PAGE: 4/4