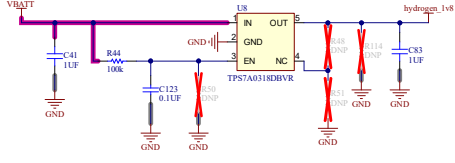


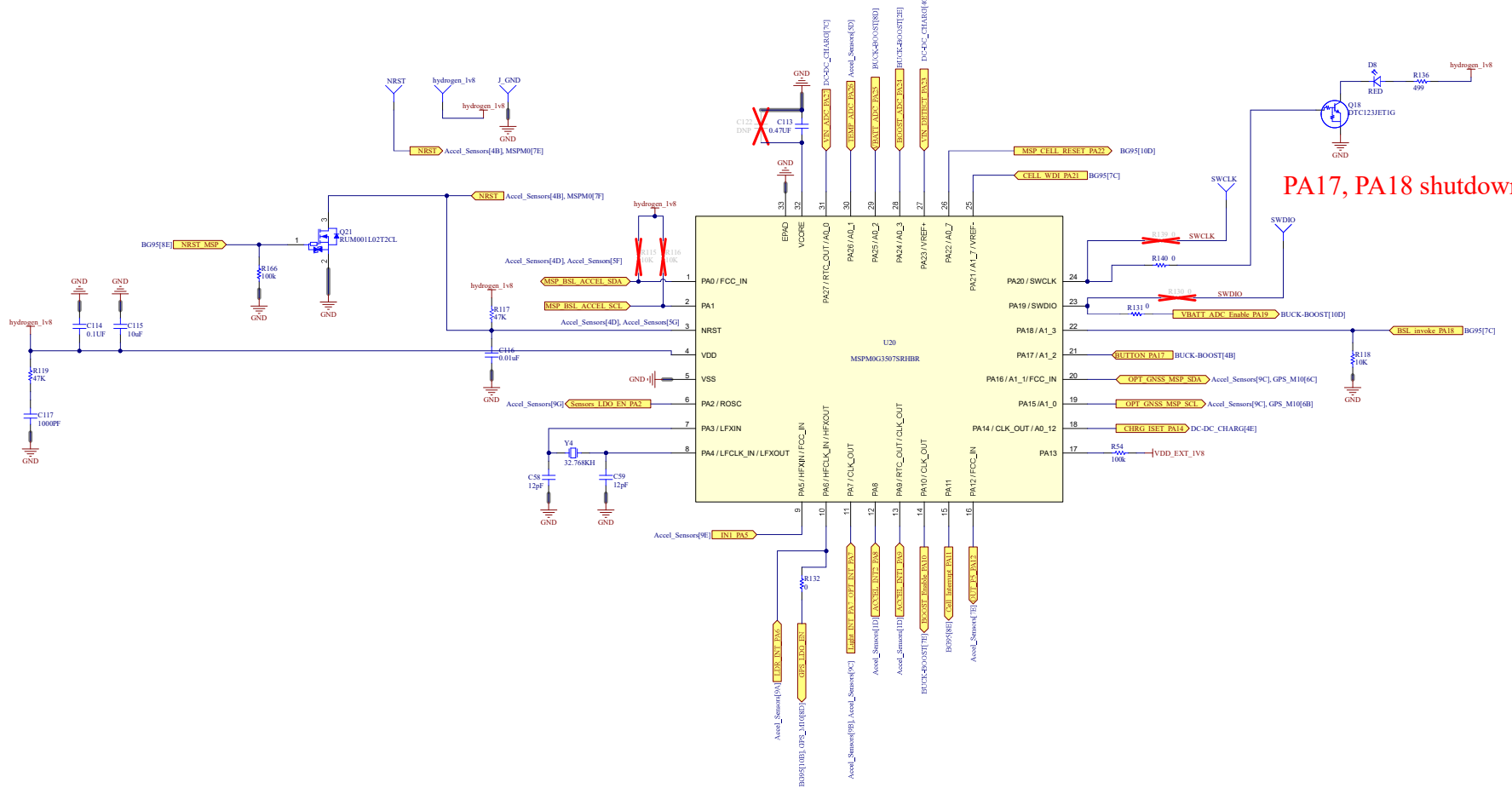
THIS DOCUMENT AND THE DATA DISCLOSED HEREIN OR HEREWITH IS THE PROPERTY OF ALTIUM LIMITED AND MAY BE FREELY DISTRIBUTED IN WHOLE. NO RIGHTS ARE RESERVED OR EXPRESS OR IMPLIED WARRANTY GIVEN.

REVISION	Change DESCRIPTION



Current while awake 5mA

PA17, PA18 shutdown wake up



PWA Description			
AX20, BG95M1, 10050, FCD41D, Accel. LDR, Light Sensor, Primary Battery			
APPROVALS	DATE	PROJECT	
ENG: O.M		AX20	
CHK:		SHEET TITLE	
Variant:		MSPM0.SchDoc	
20001-1		SIZE	REV
PCB DWG:	PCB Rev:	C	1.4
PCB-20001_1E	1E	SHEET	6 OF 9