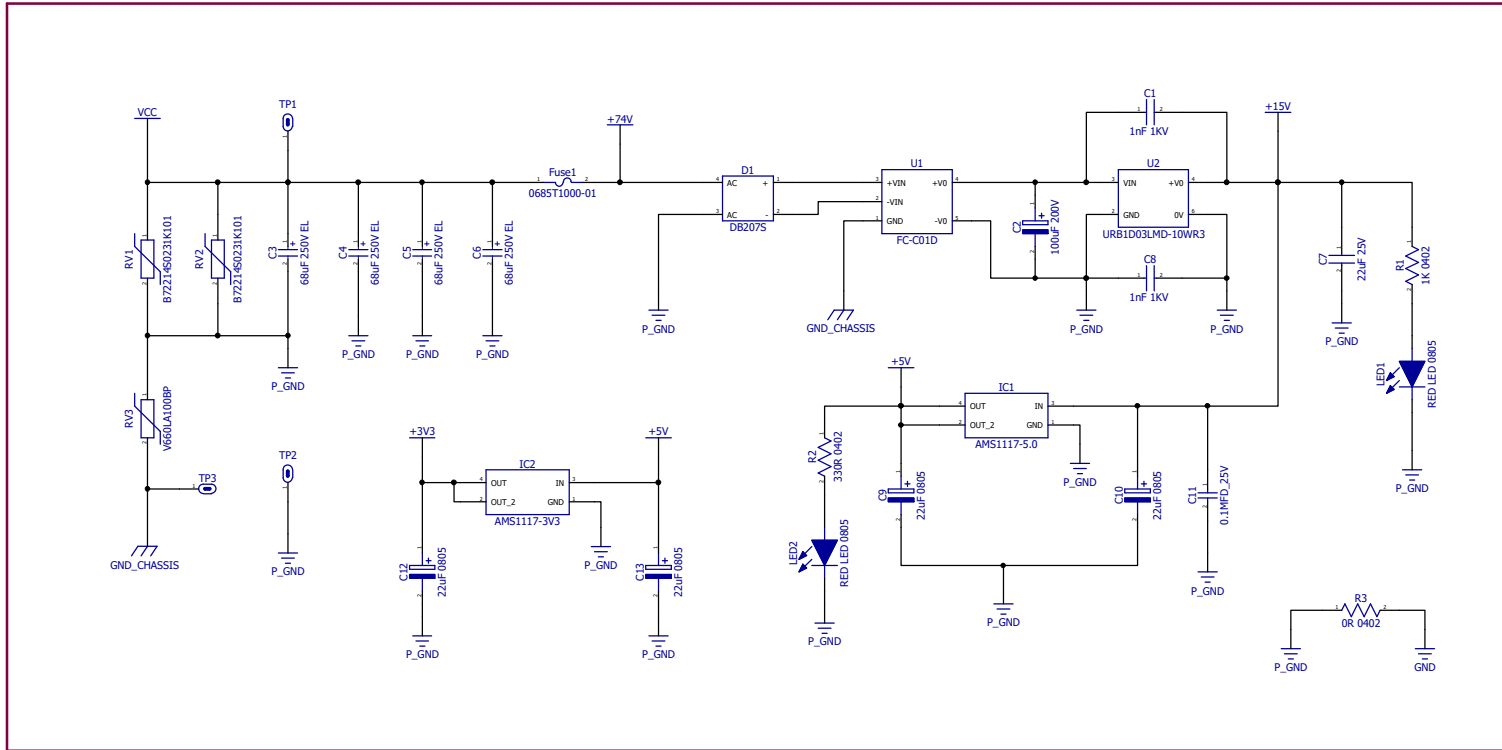


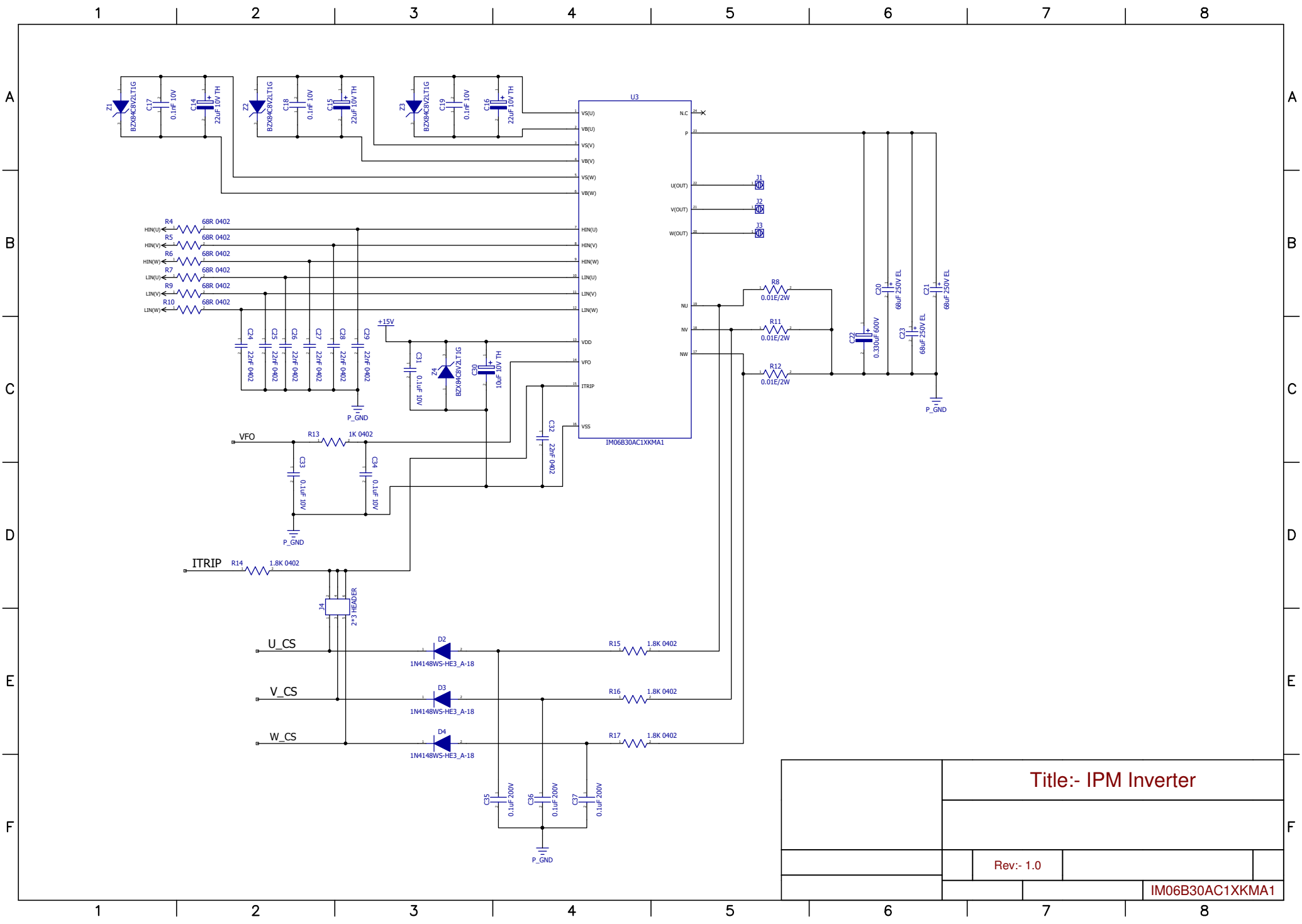
Power Block



Title:- IPM Inverter

Rev:- 1.0

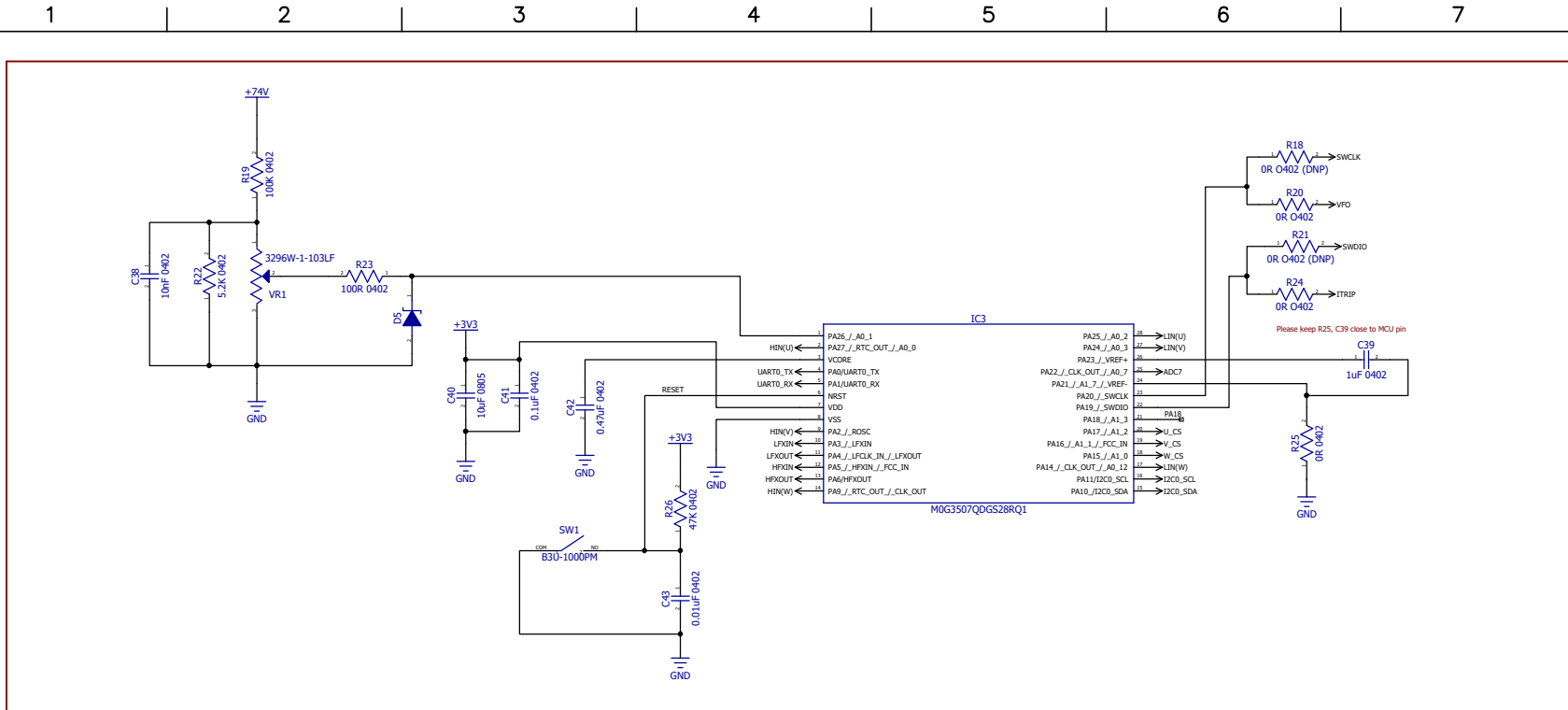
Power



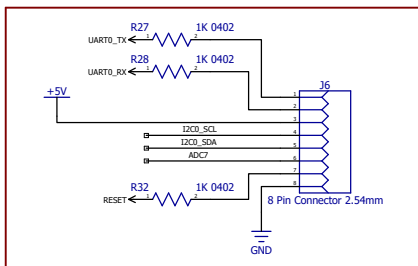
Title:- IPM Inverter

Rev:- 1.0

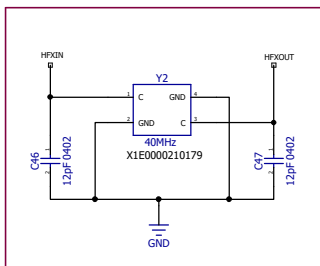
IM06B30AC1XKMA1



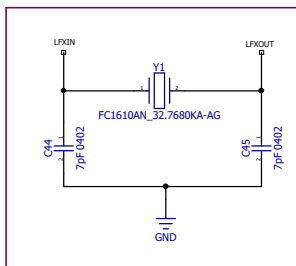
8 Pin Connector



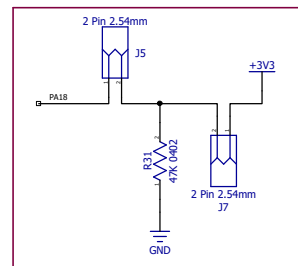
40MHz CRYSTAL



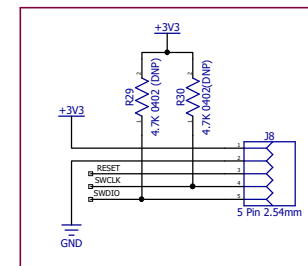
32.7680 CRYSTAL



BSL Invoke Button



5 Pin 2.54mm



Title:- IPM Inverter

Rev:- 1.0

M0G3507QDGS28RQ1