

Horiba STEC

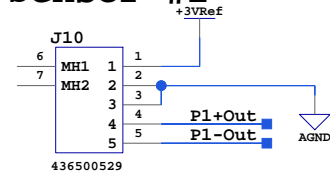
Keller Sensor Test Board

**Sensor Pin Out**

Pin 1: + In, Black  
Pin 2: - In, White  
Pin 3: - In, Yellow  
Pin 4: + Out, Red  
Pin 5: - Out, Blue



**Sensor #1**

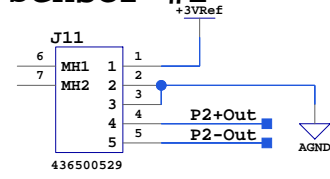


**Sensor Pin Out**

Pin 1: + In, Black  
Pin 2: - In, White  
Pin 3: - In, Yellow  
Pin 4: + Out, Red  
Pin 5: - Out, Blue

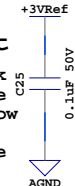


**Sensor #2**

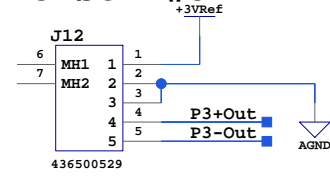


**Sensor Pin Out**

Pin 1: + In, Black  
Pin 2: - In, White  
Pin 3: - In, Yellow  
Pin 4: + Out, Red  
Pin 5: - Out, Blue

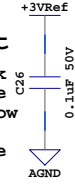


**Sensor #3**

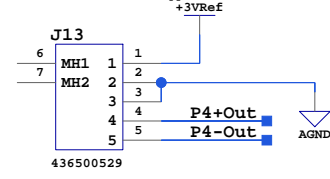


**Sensor Pin Out**

Pin 1: + In, Black  
Pin 2: - In, White  
Pin 3: - In, Yellow  
Pin 4: + Out, Red  
Pin 5: - Out, Blue

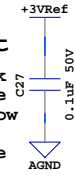


**Sensor #4**

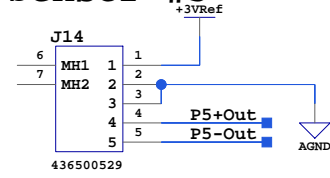


**Sensor Pin Out**

Pin 1: + In, Black  
Pin 2: - In, White  
Pin 3: - In, Yellow  
Pin 4: + Out, Red  
Pin 5: - Out, Blue

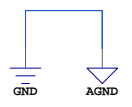
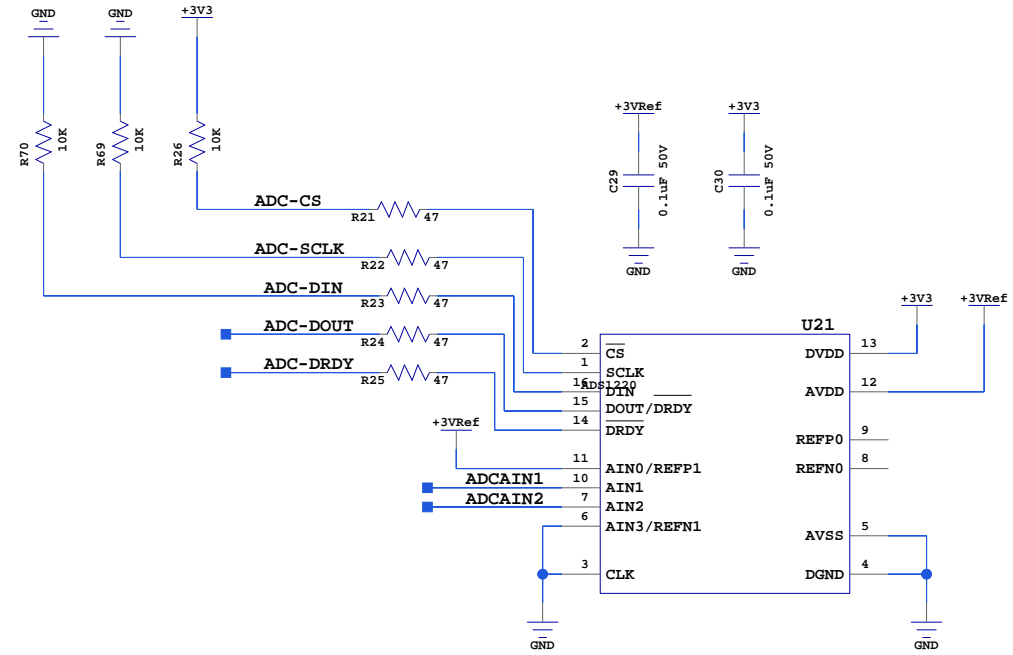
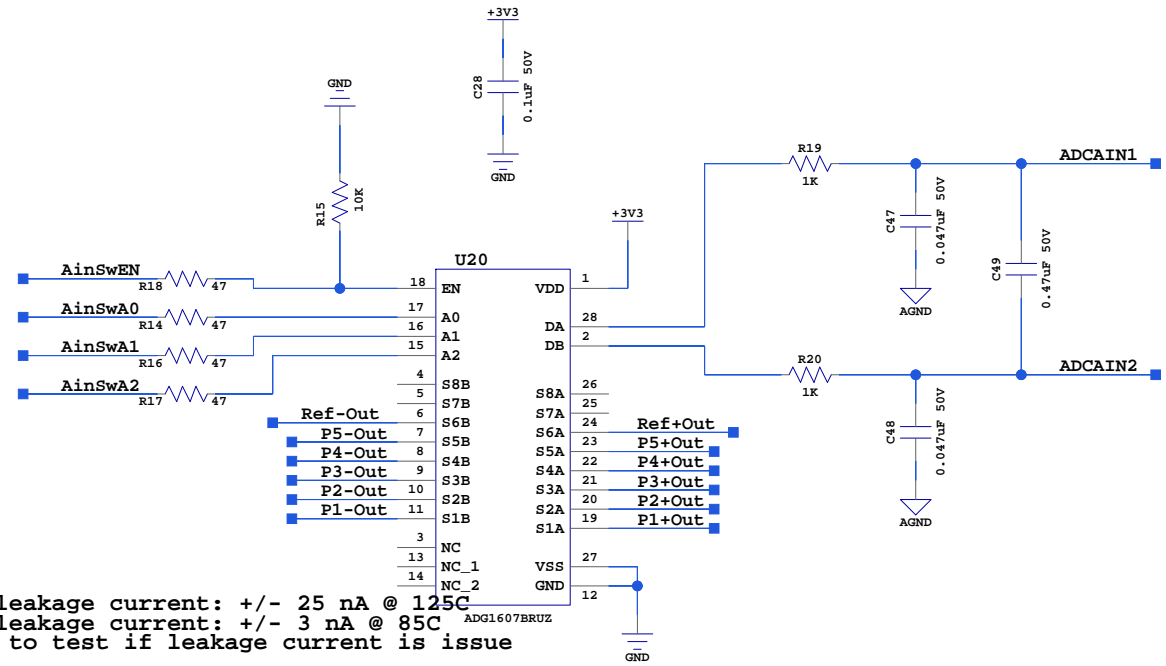
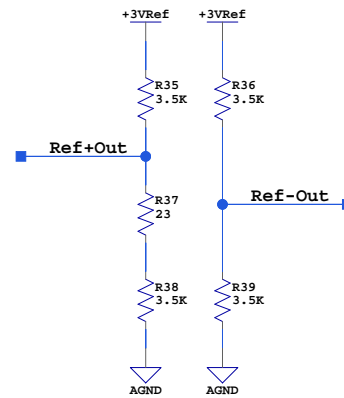


**Sensor #5**



Max leakage current: +/- 25 nA @ 125C  
Max leakage current: +/- 3 nA @ 85C  
Need to test if leakage current is issue

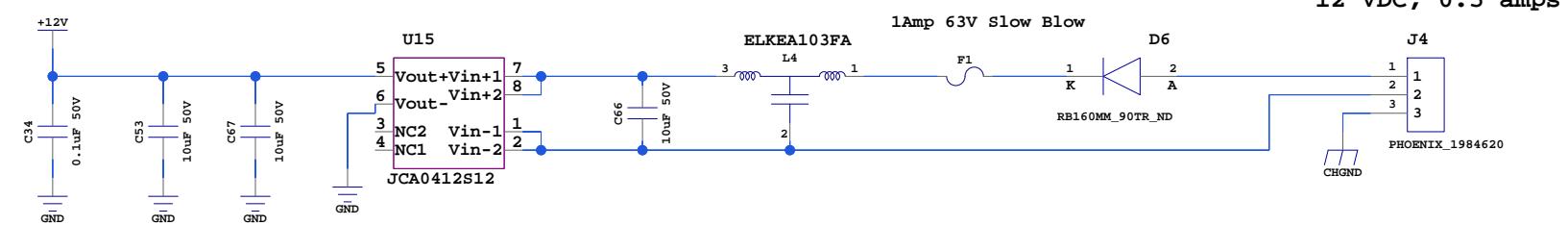
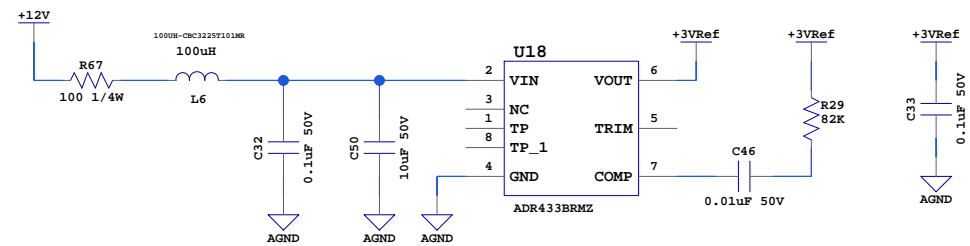
**Referance Sensor**  
0.01% 3.5ppm/C Resistors



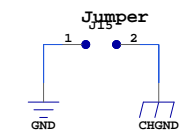
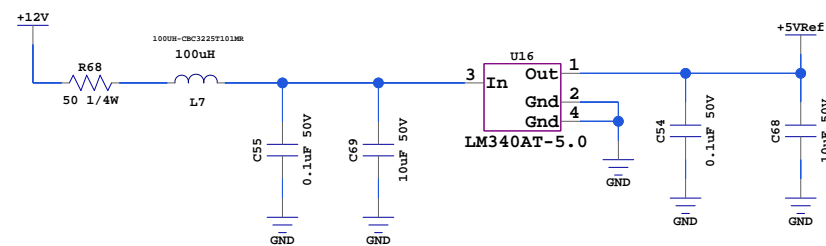
Connection on internal copper

**Horiba STEC**

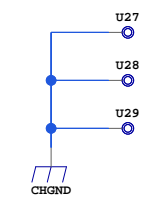
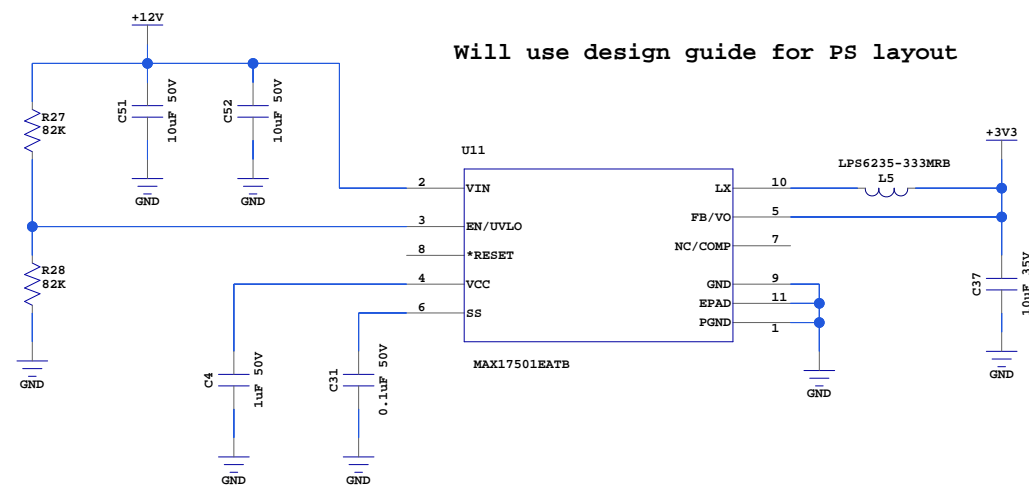
**Keller Sensor Test Board**



Input Power  
12 VDC, 0.5 amps



Will use design guide for PS layout



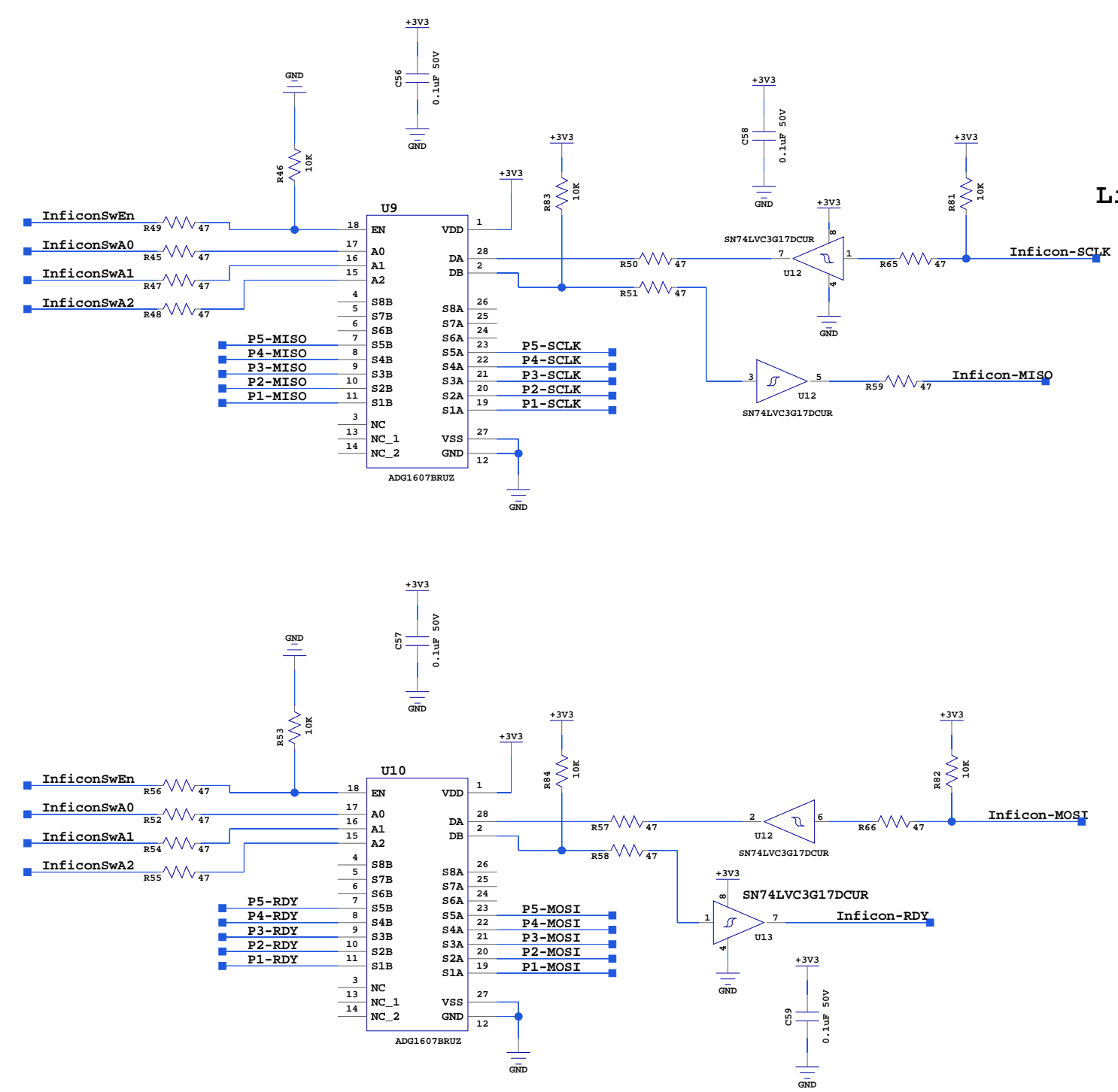
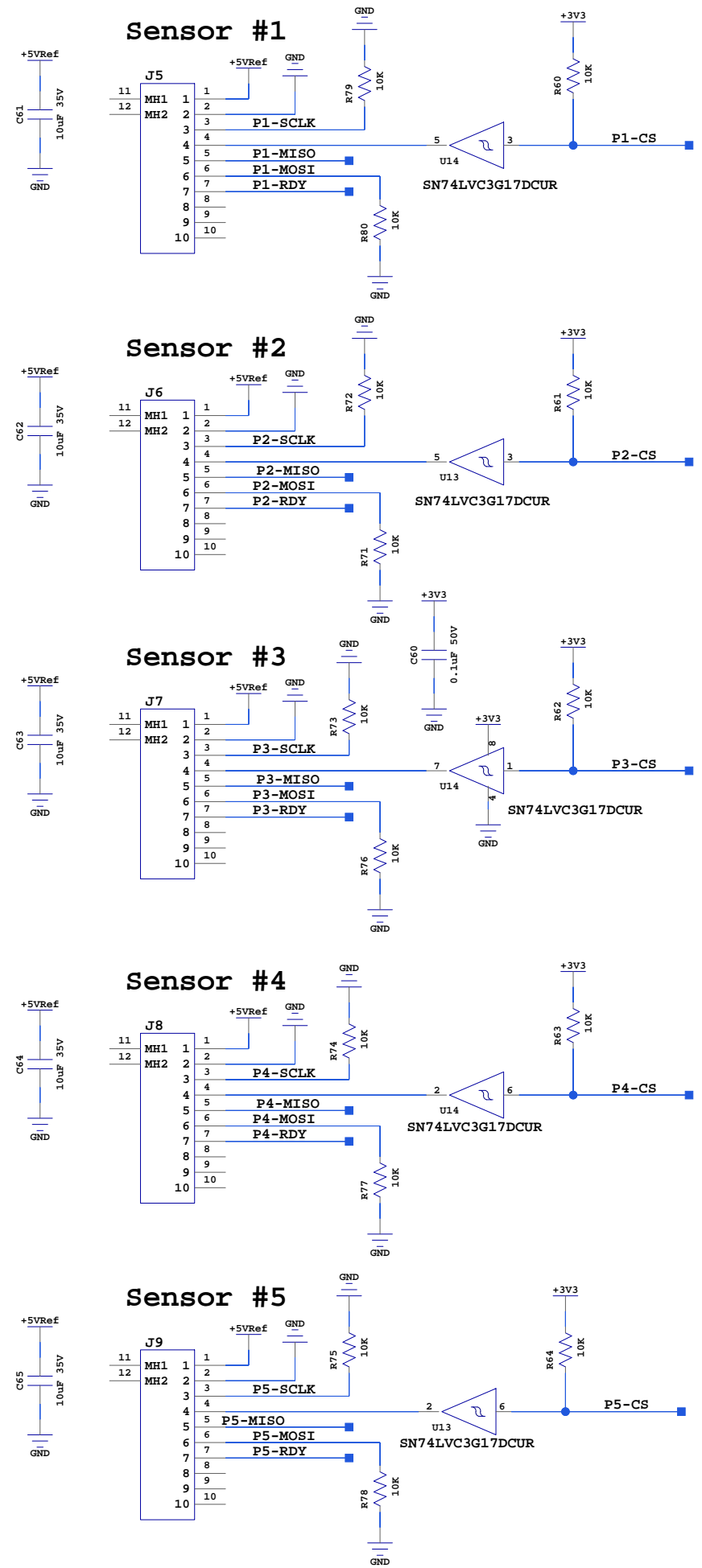
# Horiba STEC

---

## Keller Sensor Test Board

---

SIZE	DWG NO	REV
B	Schematic1 CPU	
DRAWN BY	SHEET	of
	1	29/05/2018:18:18



Limit SCLK to < 5MHz

# Horiba STEC

---

## Keller Sensor Test Board

---

SIZE	DWG NO	REV
B		
DRAWN BY	SHEET	of
	1	
Schematic1 CPU		
24/05/2018:20:03		