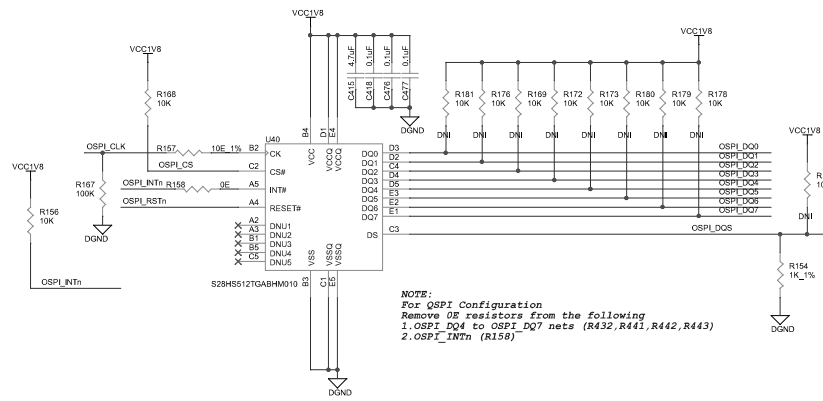
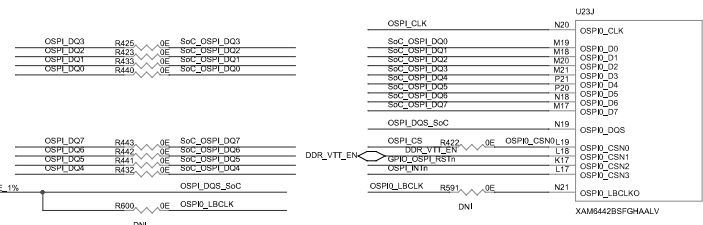


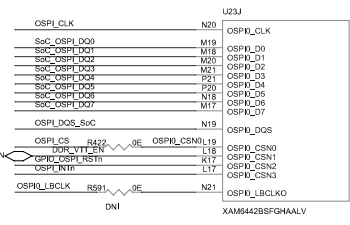
OSPI FLASH



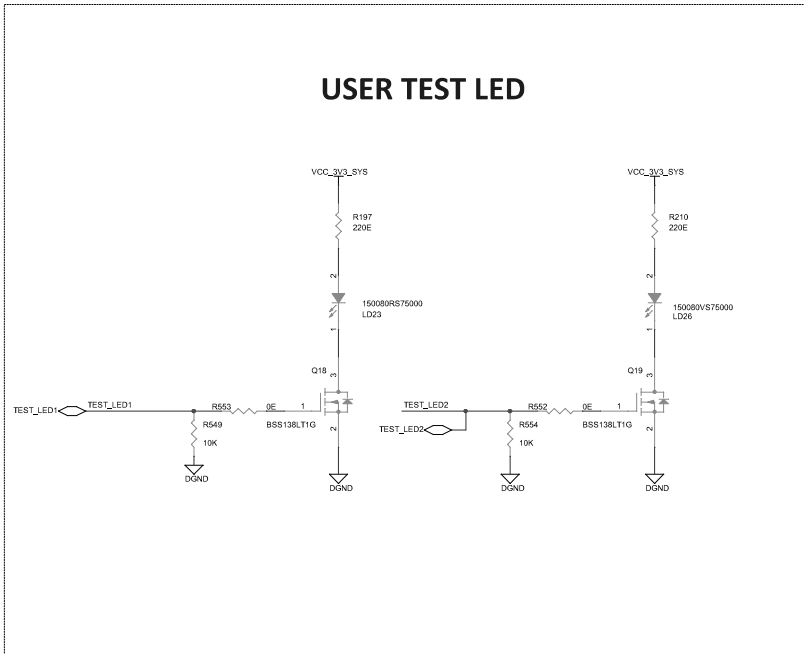
SOC OSPI INTERFACE



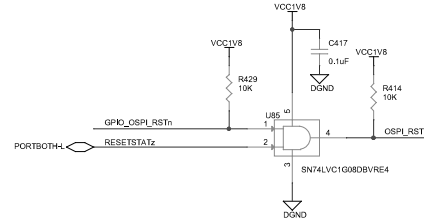
To Route DQS to LBCLK0	To Route DQS to SOC's DQS
Mount R591 & R600	Mount R601 & R592
DNI R601 & R592	DNI R591 & R600



USER TEST LED



OSPI FLASH RESET



Designed for TI by Mistral Solutions Pvt Ltd



Title		OSPI	
Size	Variant Name = <Core Design>	Rev	
C		E2	
Date:	Wednesday, July 30, 2025	Sheet	14 of 40