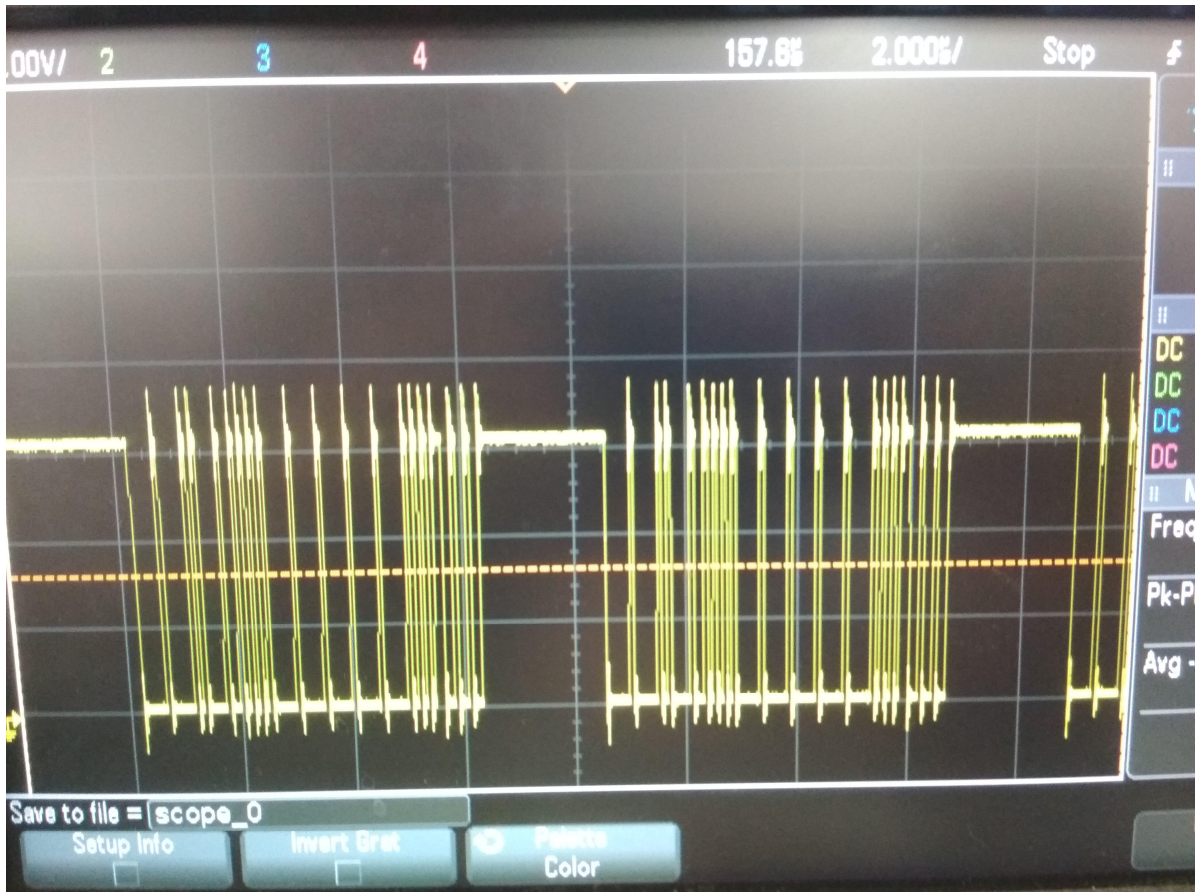
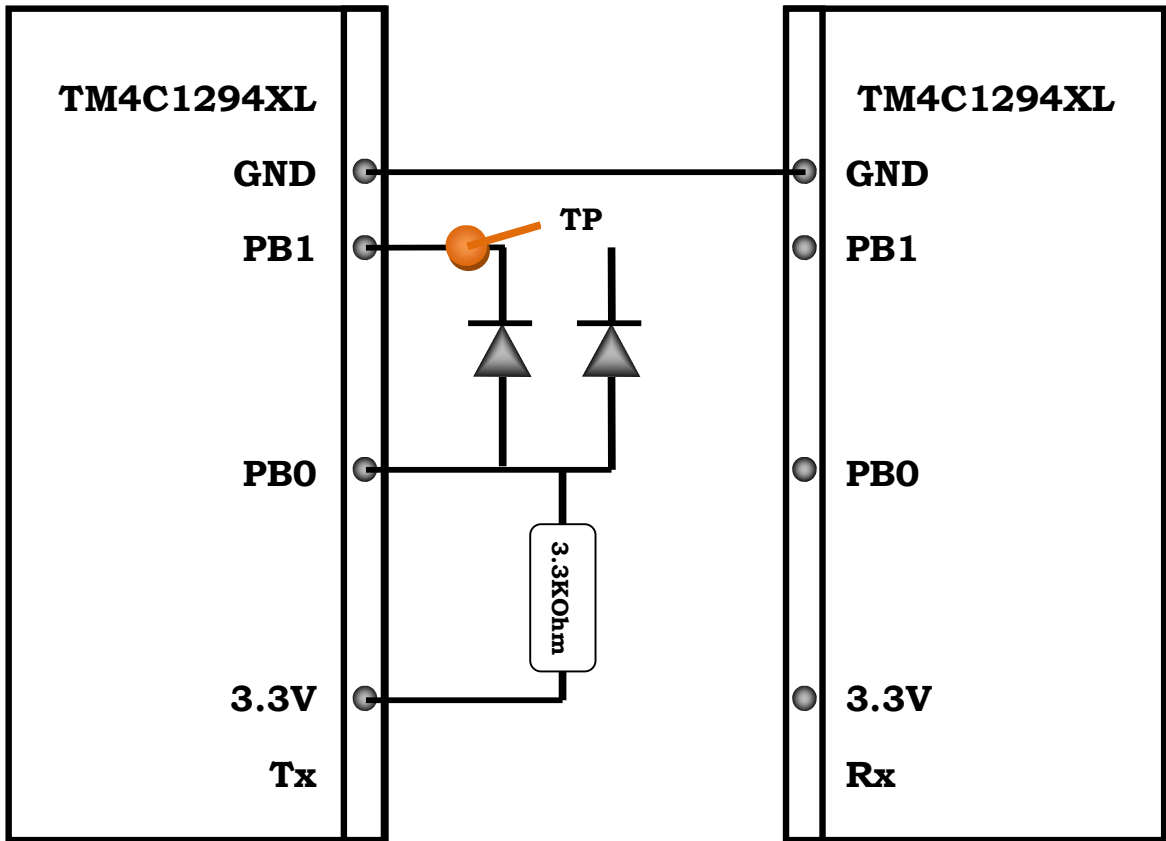
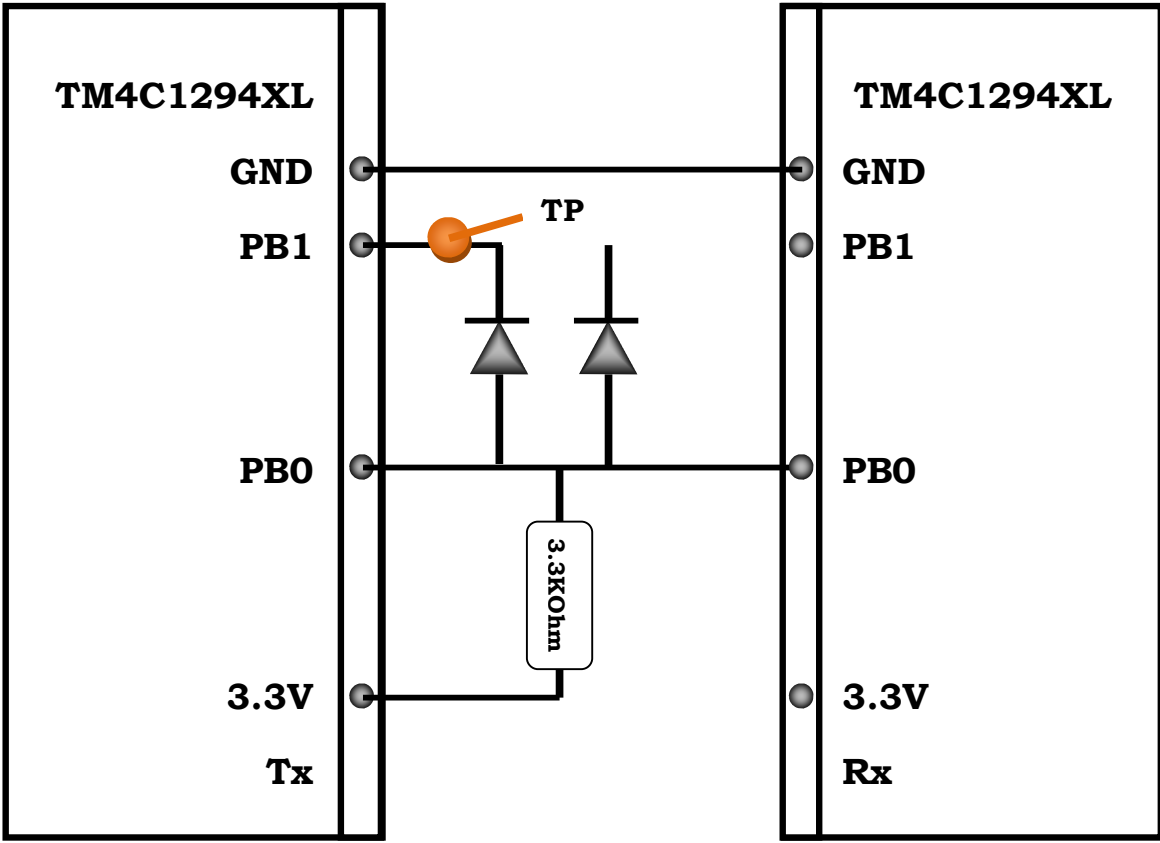


1

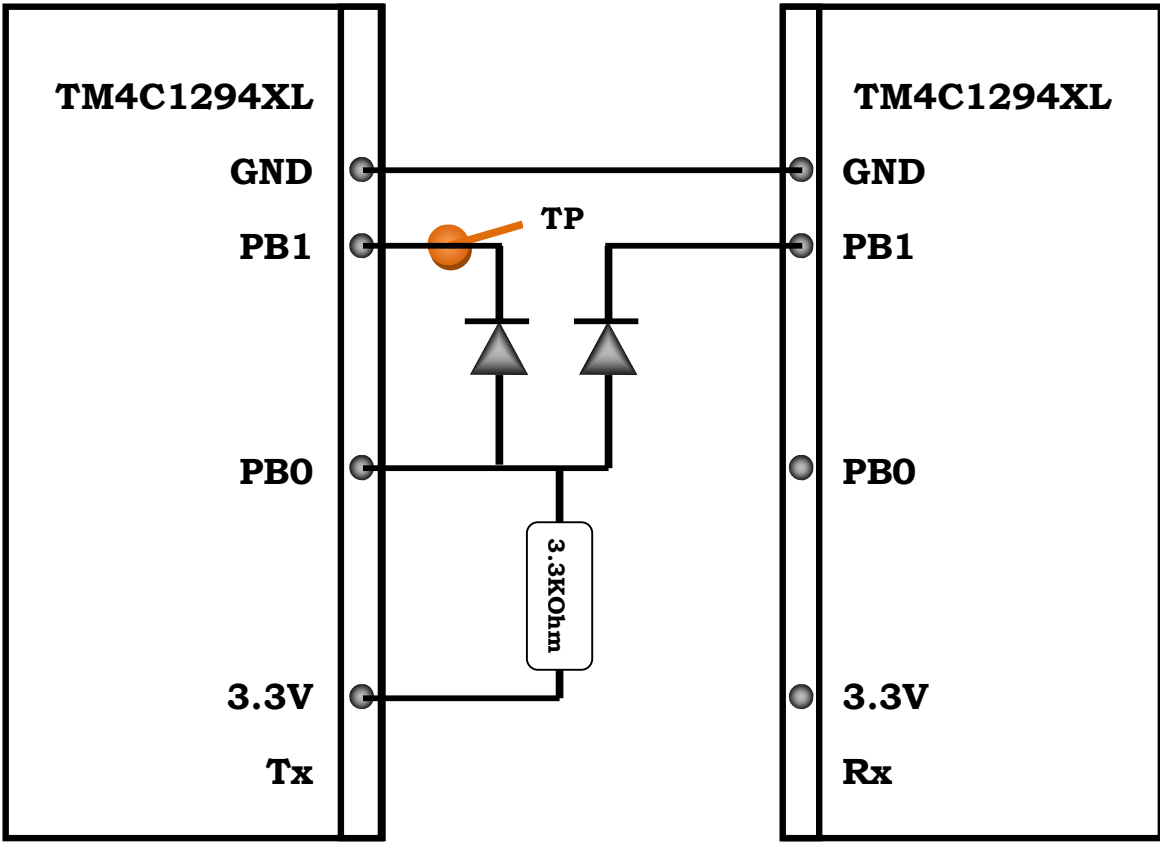


Output at test point for setup 1

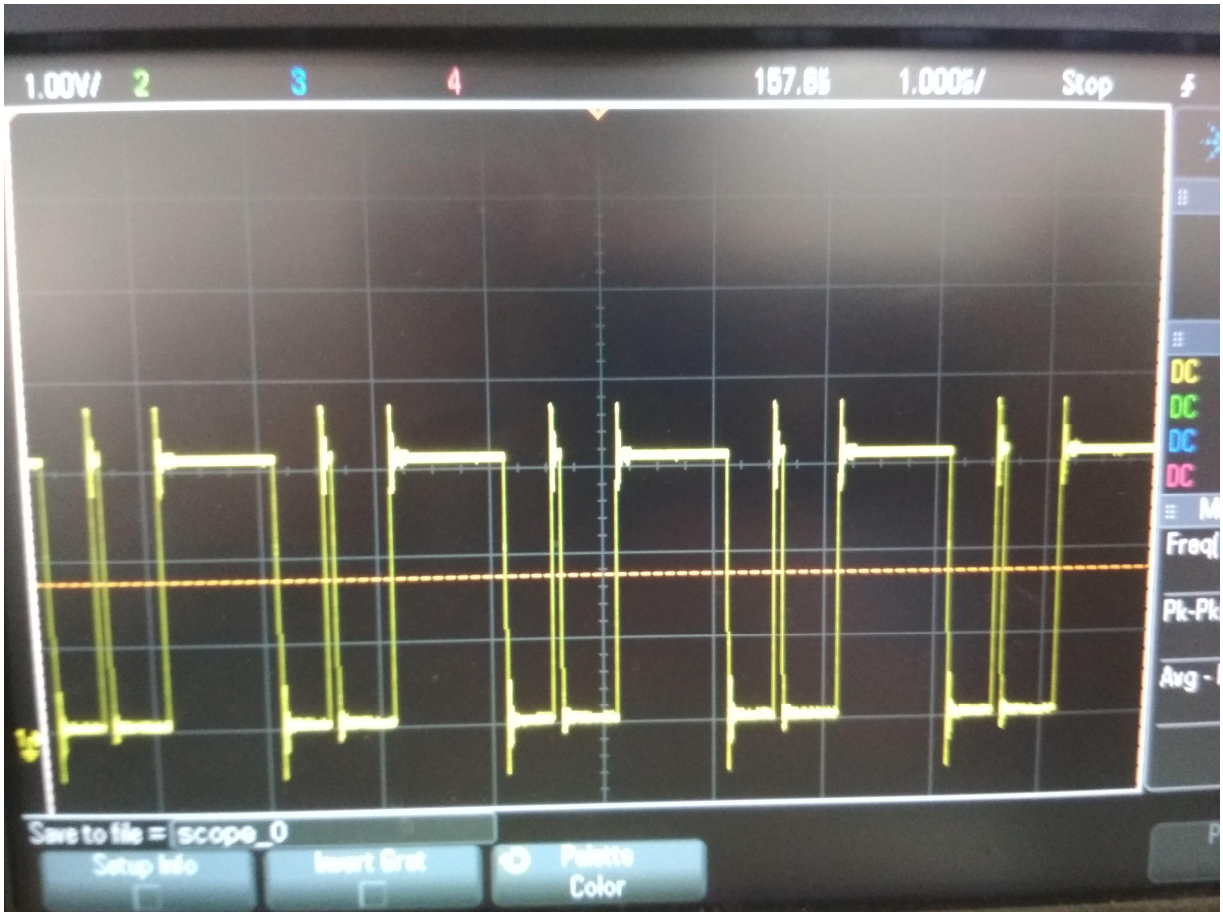
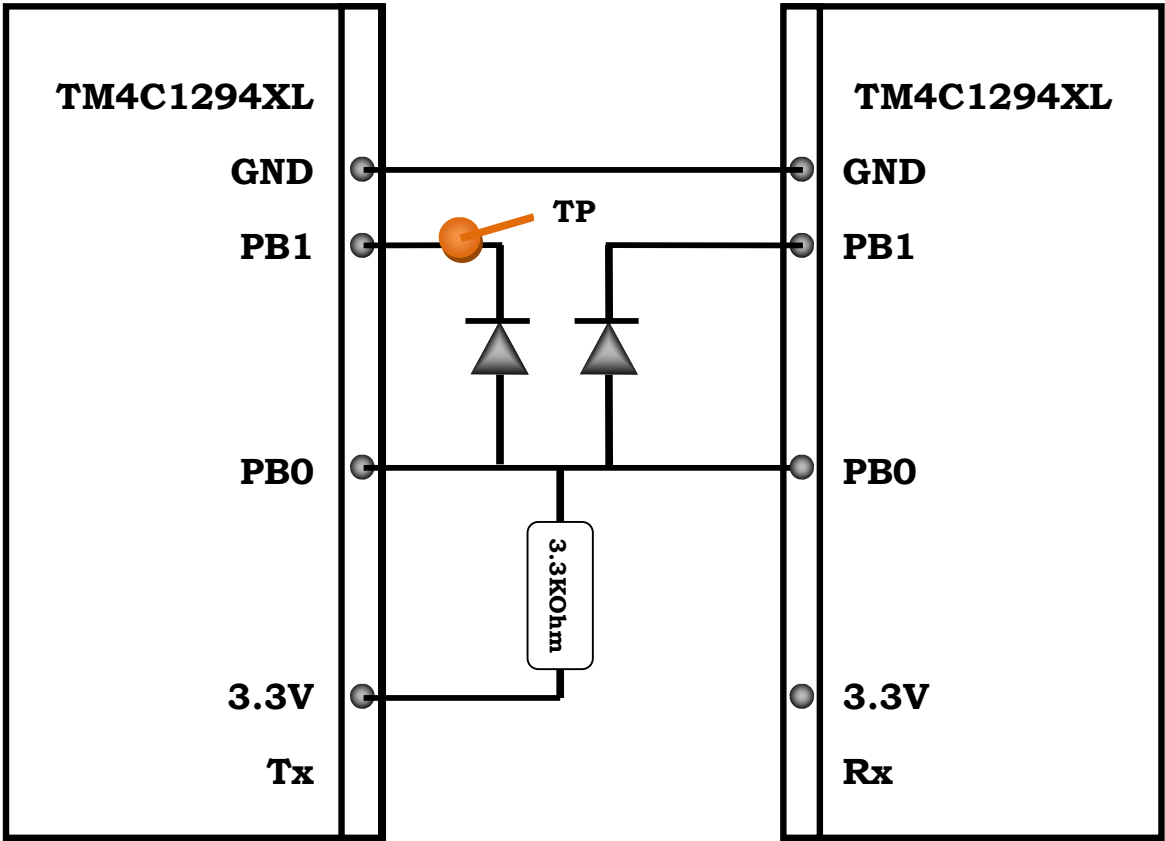
2



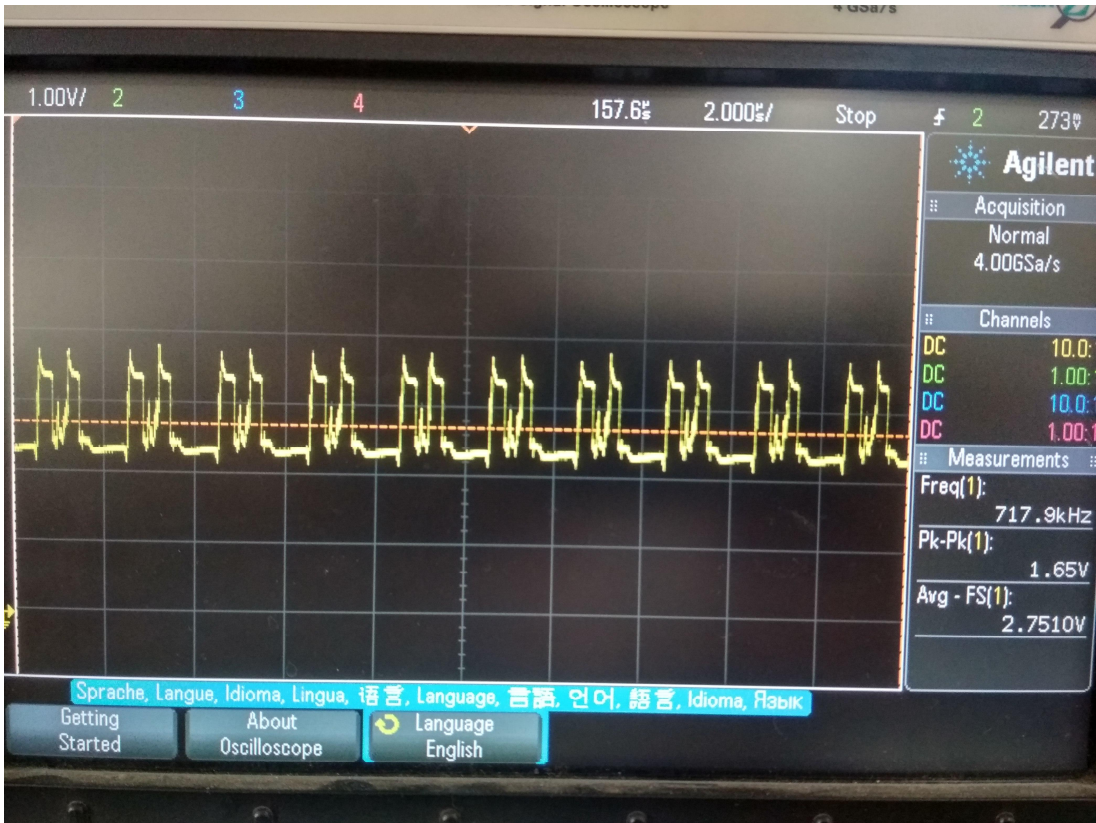
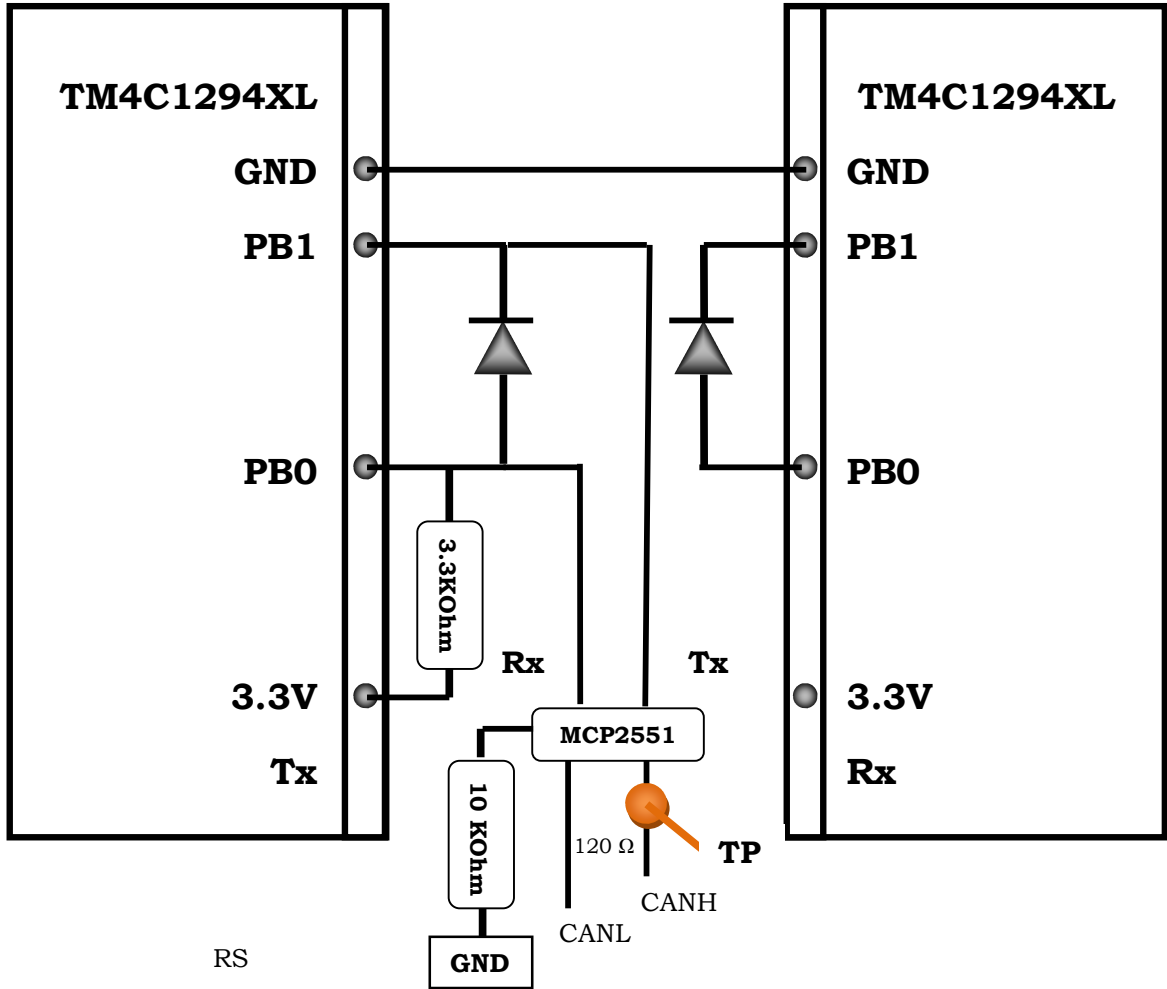
3



4

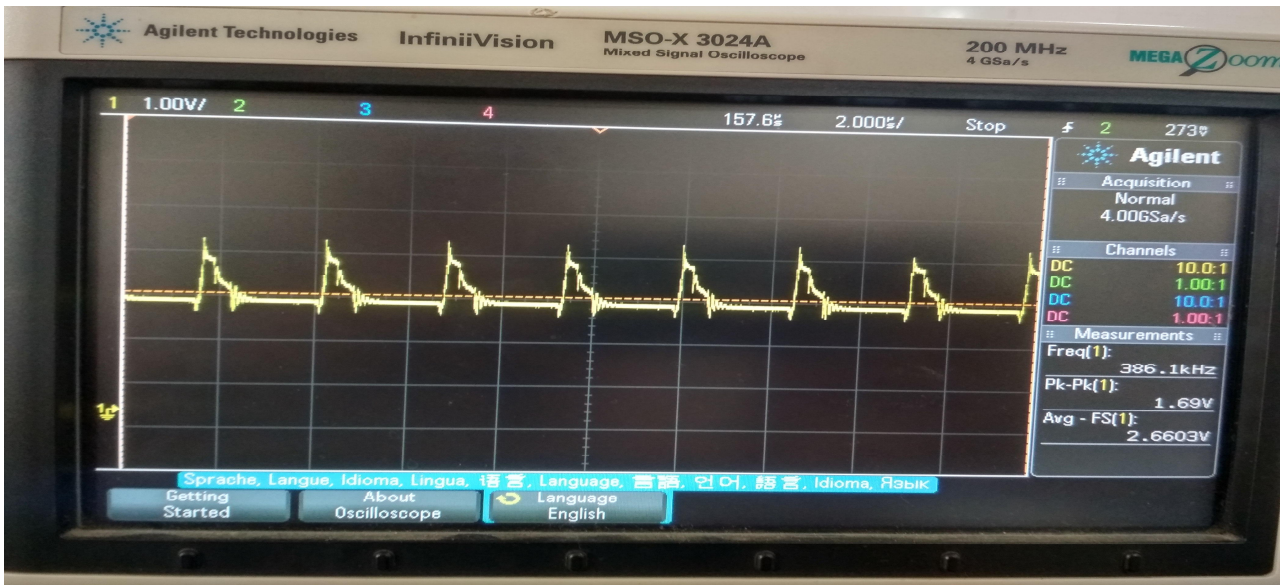
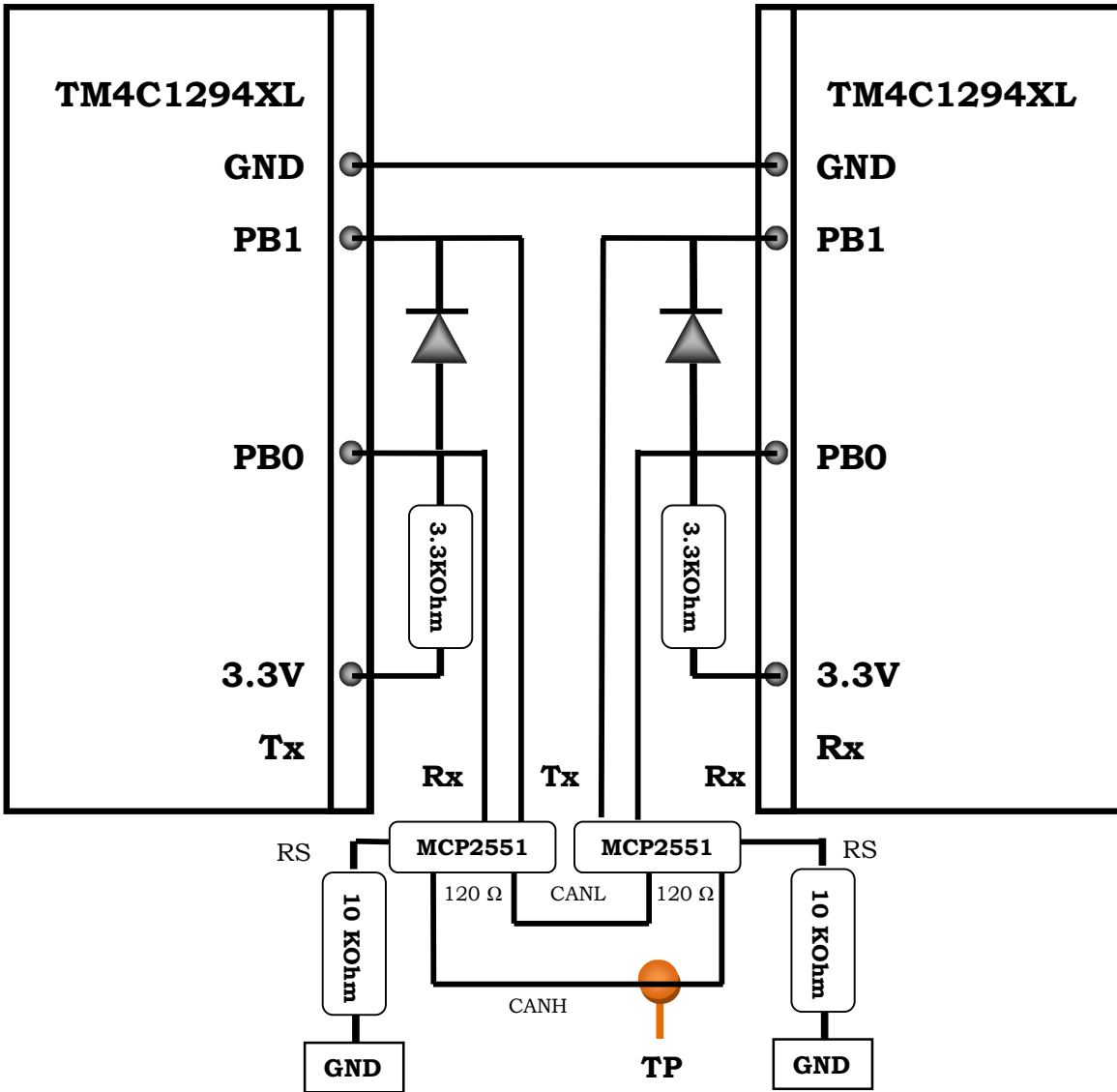


Output at test point for setup 2, 3 & 4



Output at test point for setup 5 (120 Ohm termination between CANH & CANL)

6



Output at test point for setup 6