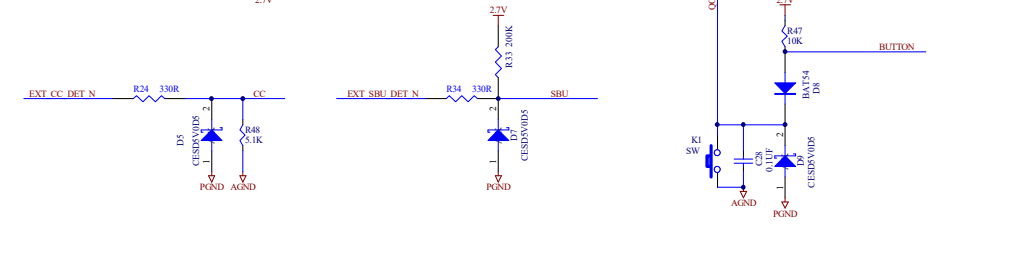
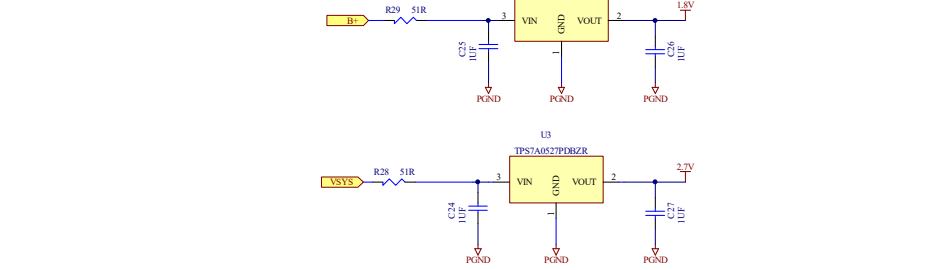
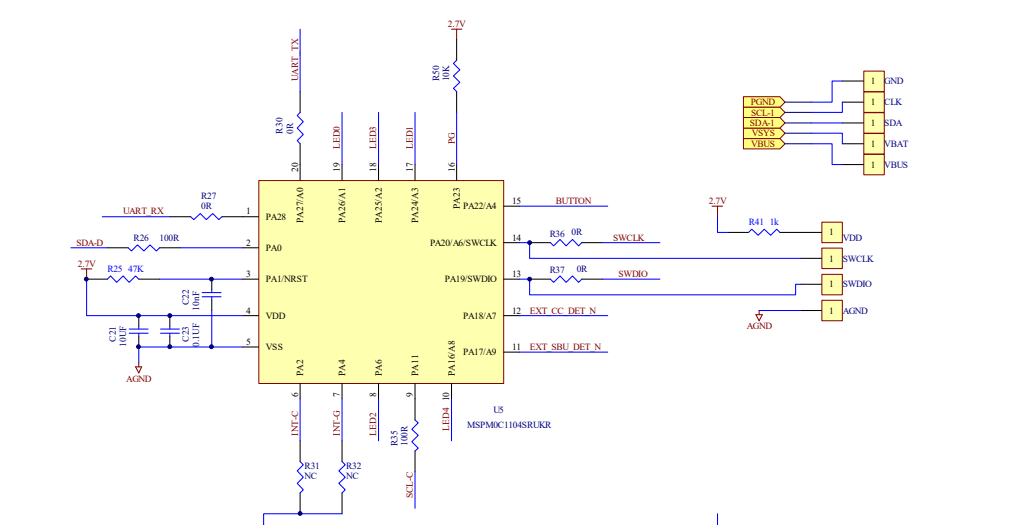
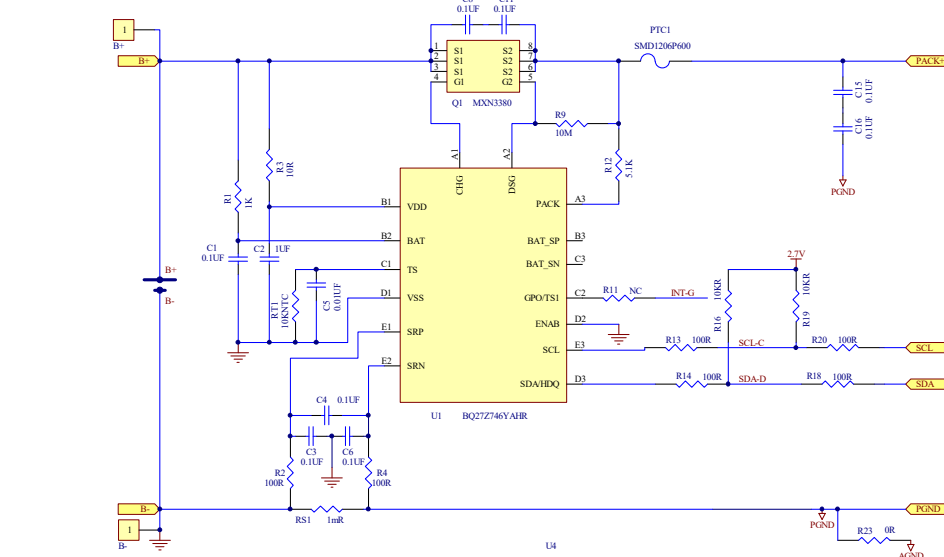
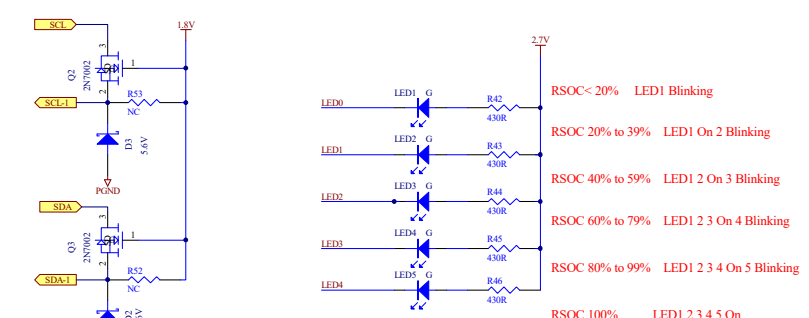
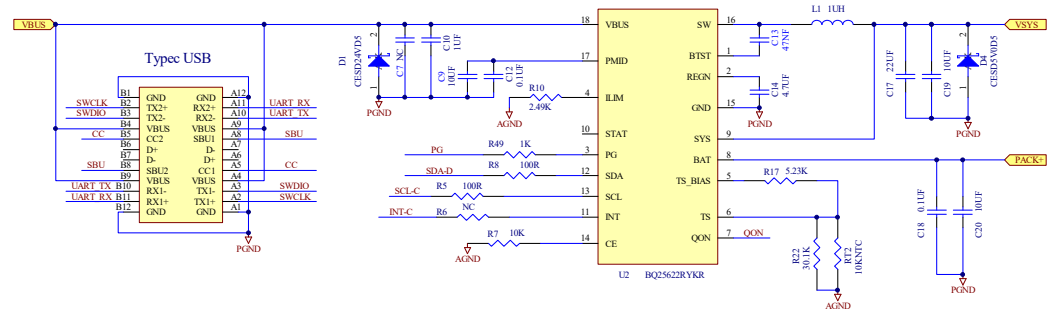


Revisions			
Rev	Description	Date	Engineer
A1	NEW DESIGN	2024-7-15	ZP
A2	D1 changed from 15V to 24V Cancel the LED's 5 MOS Added 2 conversion MOS for I2C The current limiting resistance of 5 leds is changed to 430R D2 connects to SDA-1 .D3 connects to SCL-1	2024-8-14	ZP



Title		
Size	Number	Revision
C		
Date	2024/8/14	Sheet of
File	C:\Users\7801012-SCH\A2 20240814\Sch\Bom\Bom.Dwg	