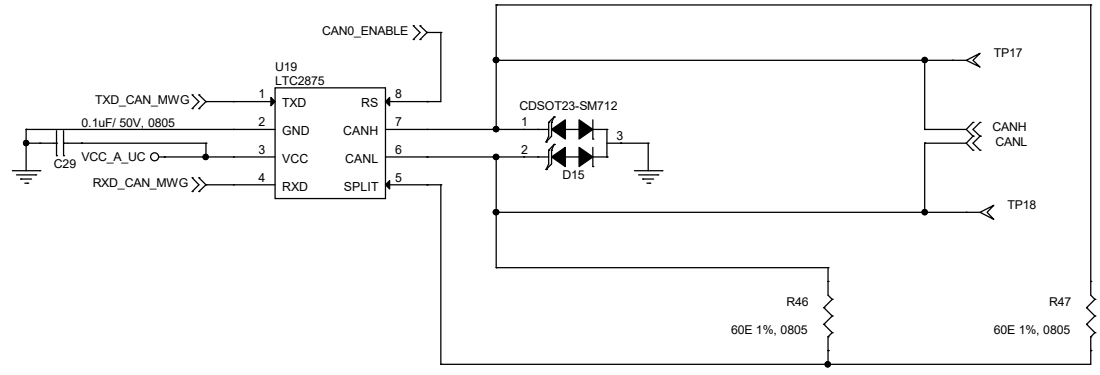
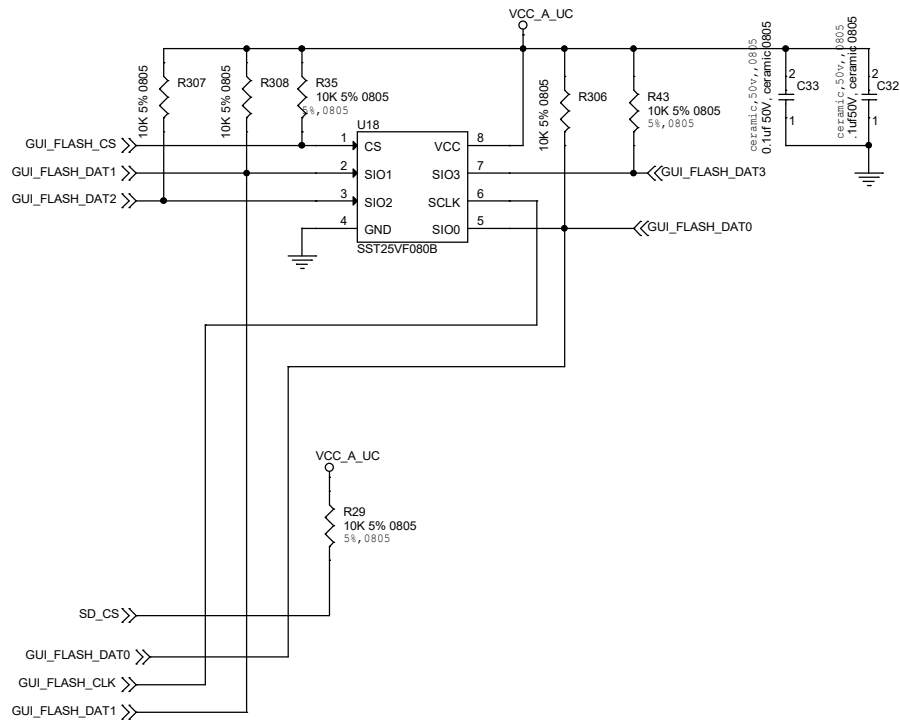


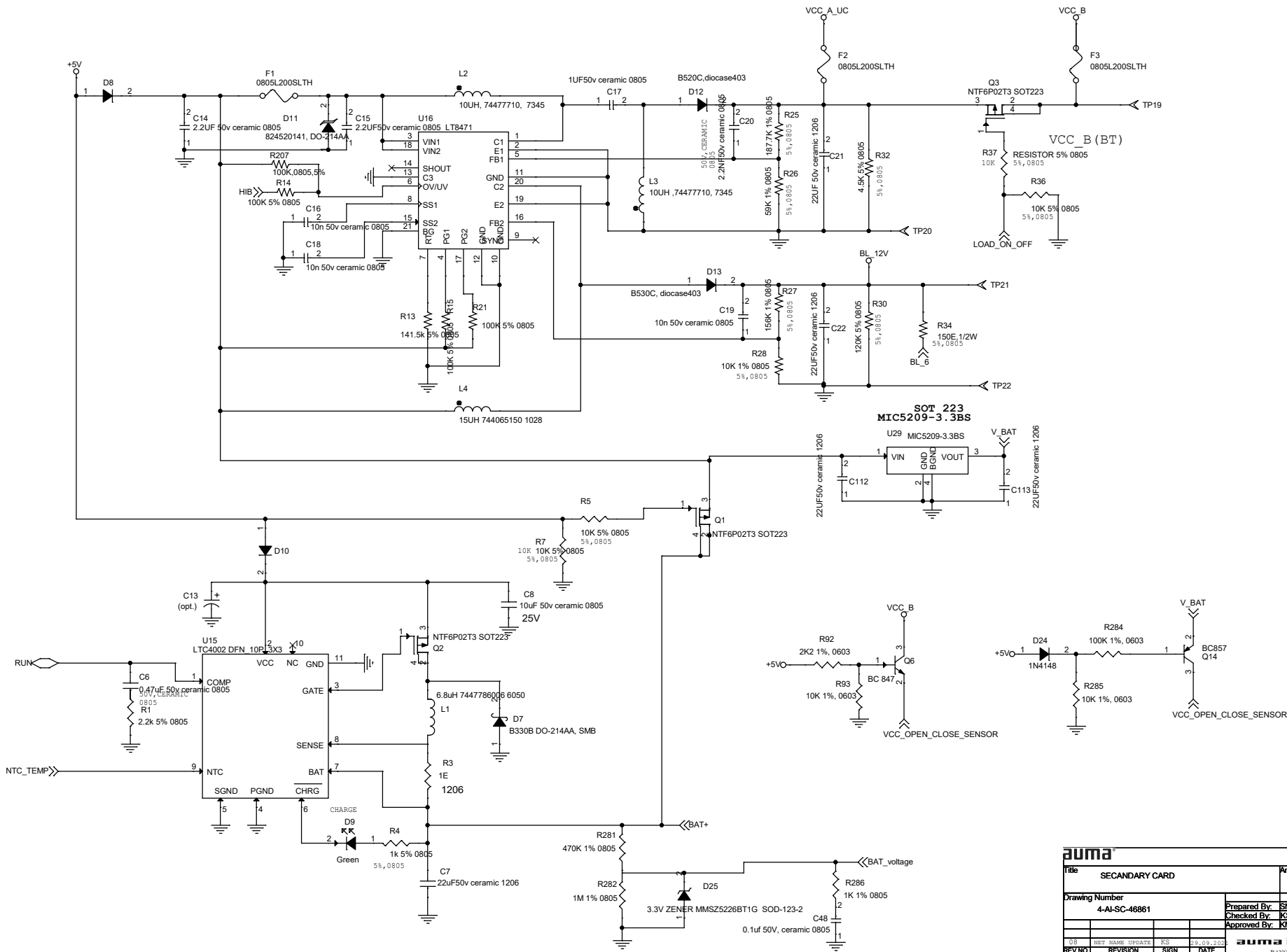
<b>auma</b>		Sheet 1 of 6	
Title: SECONDARY CARD		Article No.: K216.960	
Drawing Number: 4-AI-SC-46861	Prepared By: SMC/HA	Name: SMC	Sign: SMC
	Checked By: KMC	Name: KMC	Sign: KMC
	Approved By: KMC	Name: KMC	Sign: KMC
US: REV NAME UPDATE XS 23.09.2023	auma india pvt ltd		
REV NO.	REVISION	SIGN	DATE



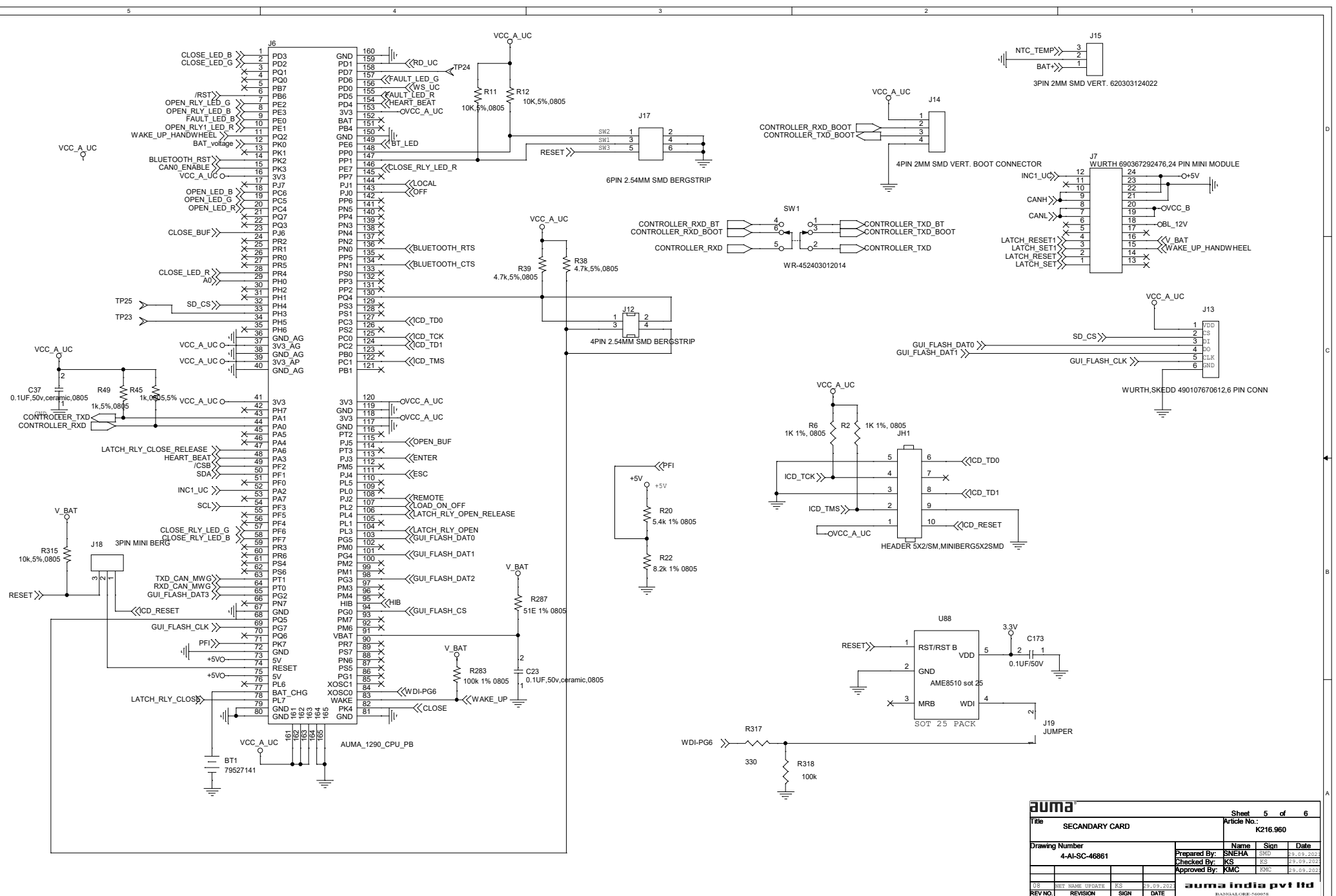
<b>auma</b>		Sheet 2 of 6	
Title SECONDARY CARD		Article No.: K216.960	
Drawing Number 4-AI-SC-46861	Prepared By: SNEHA	Name SMD	Sign Date
	Checked By: KS	KS	29.09.2023
	Approved By: KMC	KMC	29.09.2023
03	NET NAME	UPDATE	KS
REV NO.	REVISION	SIGN	DATE
			<b>auma india pvt ltd</b>
BANGALORE-560078			



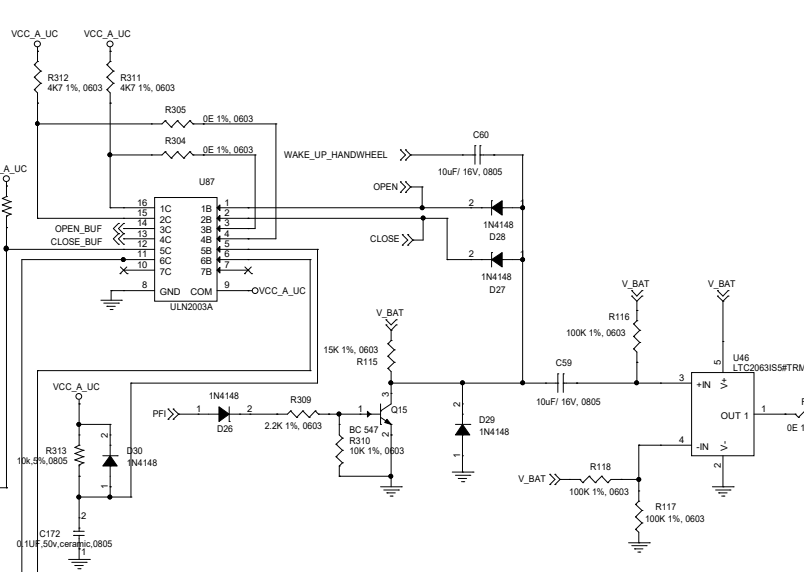
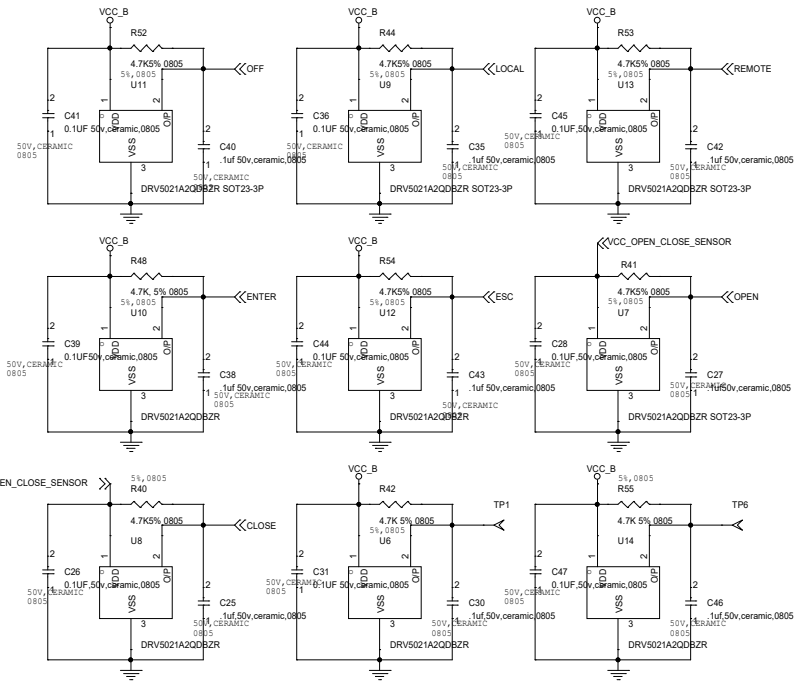
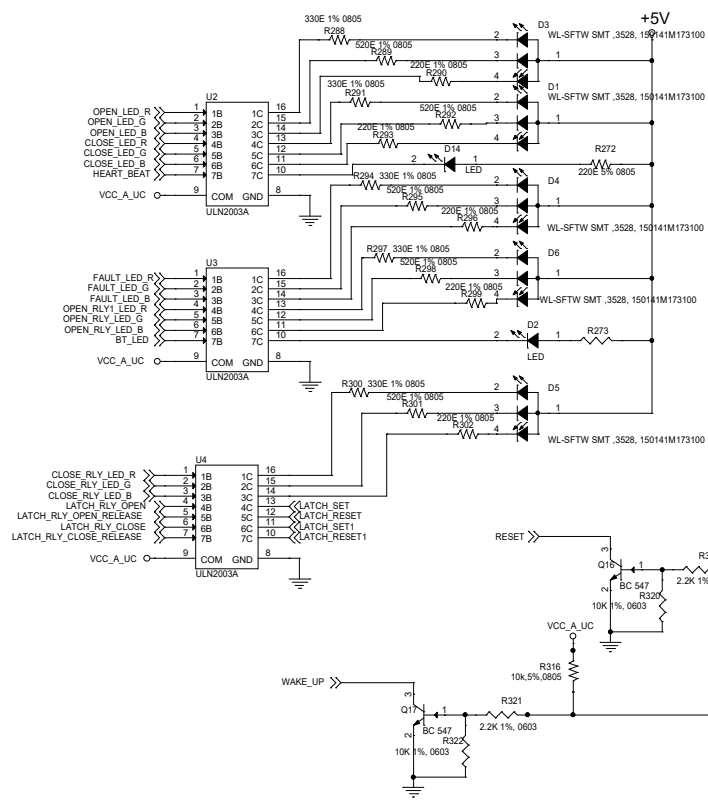
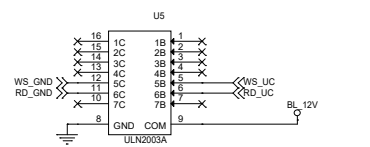
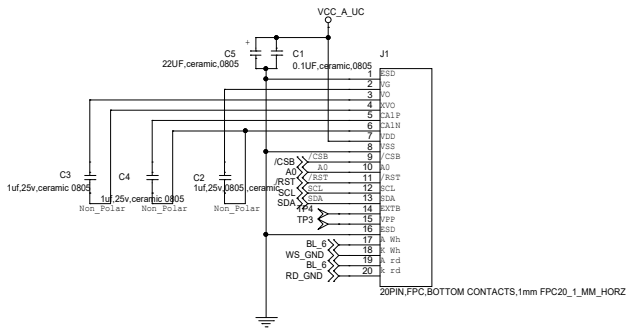
<b>auma</b>		Sheet 3 of 6	
Title		Article No.:	
SECANDARY CARD		K216.960	
Drawing Number		Name	Sign
4-AI-SC-46861		Prepared By: SNEHA	SMD
		Checked By: KS	KS
		Approved By: KMC	KMC
		Date	
		29.09.202	
		29.09.202	
		29.09.202	
NET NAME		KS	29.09.202
REV NO:	REVISION	SIGN	DATE
<b>auma india pvt ltd</b>			
BANGALORE-56005			



<b>auma</b> Title: SECONDARY CARD Drawing Number: 4-AI-SC-46861		Sheet 4 of 6 Article No.: K216.960	
		Name: SNEHA Sign: SMD Date: 29.09.2022	Name: KS Sign: RS Date: 29.09.2022
Approved By: KMC Date: 29.09.2022		<b>auma india pvt ltd</b> BANGALORE-560098	
REV NO.	REVISION	SIGN	DATE



<b>File</b> SECONDARY CARD		Sheet 5 of 6	
<b>Drawing Number</b> 4-AI-SC-46861		Article No.: K216.960	
<b>Prepared By:</b> SNEHA	<b>Name</b> SNEHA	<b>Sign</b>	<b>Date</b> 28.09.2022
<b>Checked By:</b> KMC	<b>KS</b>	<b>KS</b>	<b>29.09.2022</b>
<b>Approved By:</b> KMC	<b>RMC</b>	<b>RMC</b>	<b>29.09.2022</b>
<b>REV NO.</b>	<b>REV NAME</b>	<b>UPDATE</b>	<b>KS</b>
			28.09.2022
<b>auma india pvt ltd</b>			
BA3HGAL-09E-500018			



auma		Sheet 6 of 6	
File: SECONDARY CARD		Article No.: KC16.960	
Drawing Number: 4-AI-SC-46861		Prepared By: SNEHA	
		Checked By: KMC	
		Approved By: KMC	
REV NO		REVISION	DATE
		auma india pvt ltd	
		BANGALORE-560095	