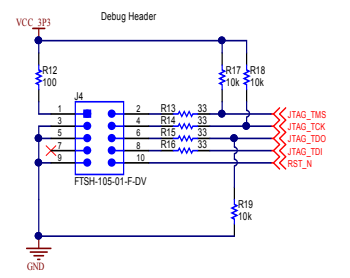
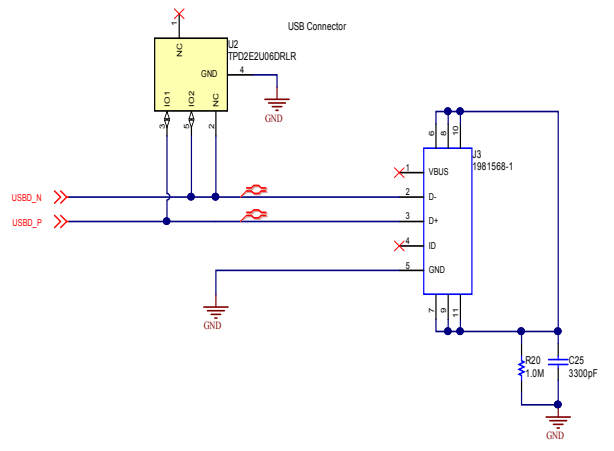
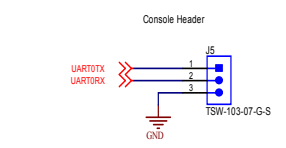
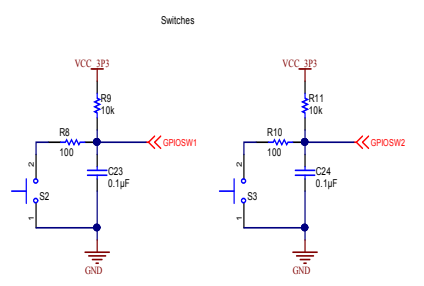
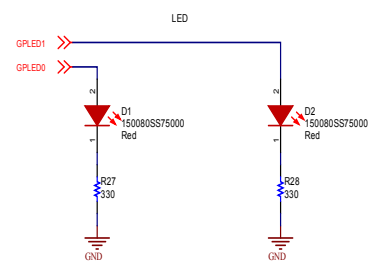


Texas Instruments and/or its licensors do not warrant the accuracy or completeness of this specification or any information contained therein. Texas Instruments and/or its licensors do not warrant that this design will meet the specifications, will be suitable for your application or fit for any particular purpose, or will operate in an implementation. Texas Instruments and/or its licensors do not warrant that the design is production worthy. You should completely validate and test your design implementation to confirm the system functionality for your application.

Orderable: No	Designed for: Public Release	Mod. Date: 4/28/2016
TID #: TIDM-TM4C129POE	Project Title: Power Over Ethernet (POE) for Connected IoT	
Number: TIDM-TM4C129POE Rev: A0	Sheet Title:	
SVN Rev: Version control disabled	Assembly Variant: [No Variations]	Sheet: 1 of 4
Drawn By:	File: TIDM-TM4C129POE_Micro_SchDoc	Size: B
Engineer: Anil Ashara	Contact: http://www.ti.com/support	





PCB Number: TIDM-TM4C129POE
PCB Rev: A0

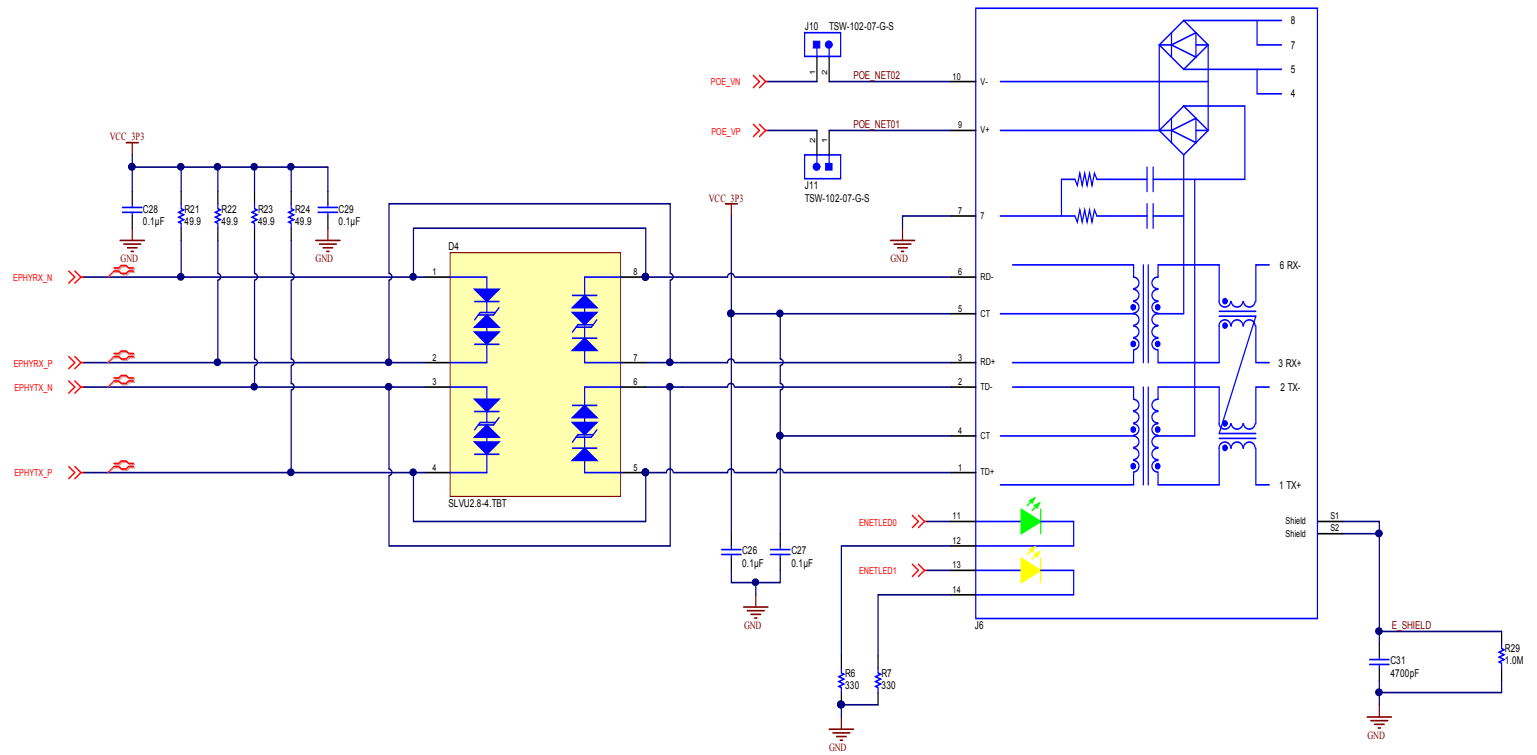
PCB LOGO
Texas Instruments

PCB LOGO
Pb-Free Symbol

Texas Instruments and/or its licensors do not warrant the accuracy or completeness of this specification or any information contained therein. Texas Instruments and/or its licensors do not warrant that this design will meet the specifications, will be suitable for your application or fit for any particular purpose, or will operate in an implementation. Texas Instruments and/or its licensors do not warrant that the design is production worthy. You should completely validate and test your design implementation to confirm the system functionality for your application.

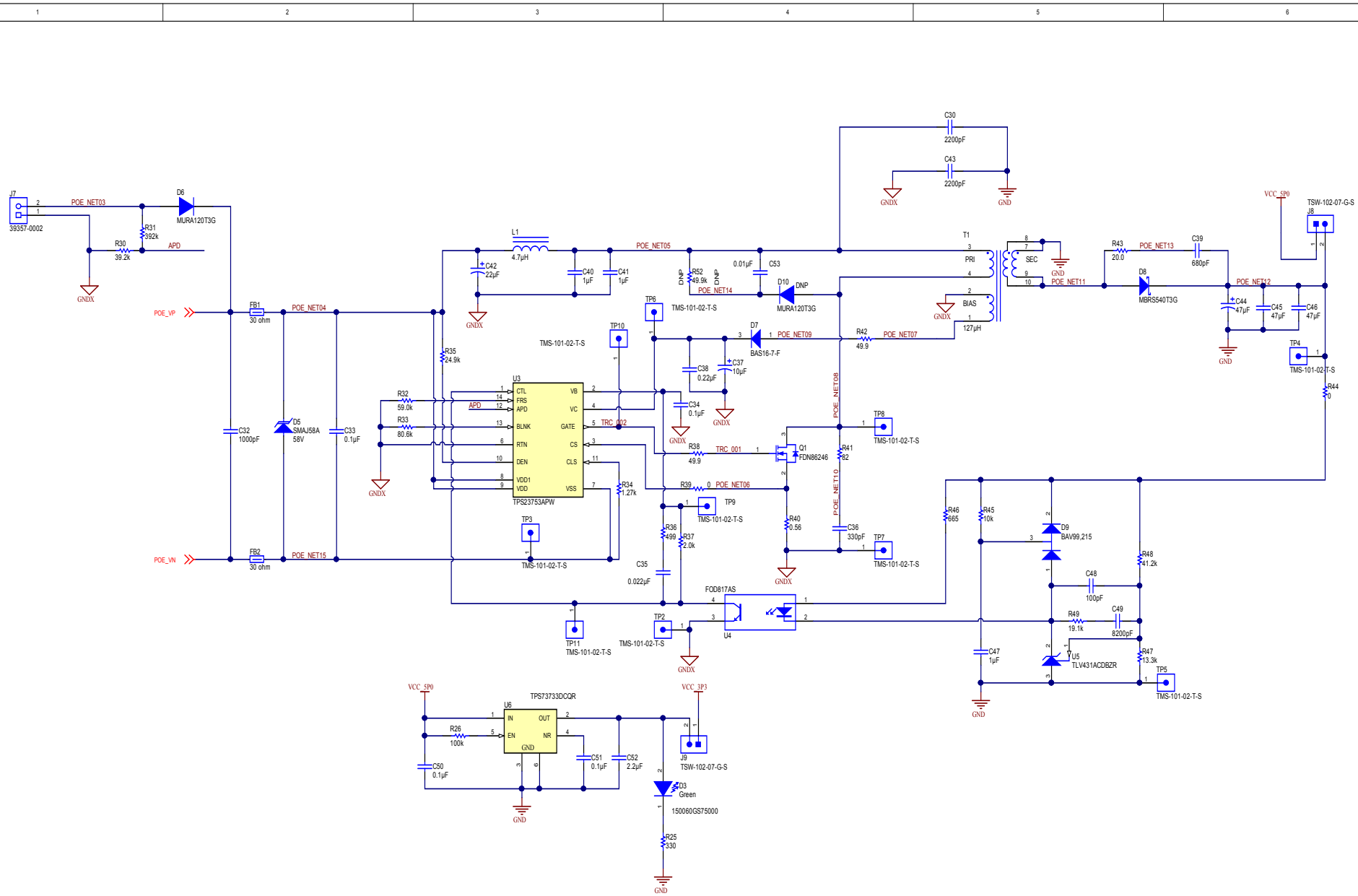
Orderable: No	Designed for: Public Release	Mod. Date: 4/28/2016
TID #: TIDM-TM4C129POE	Project Title: Power Over Ethernet (POE) for Connected IoT	
Number: TIDM-TM4C129POE Rev: A0	Sheet Title:	
SVN Rev: Version control disabled	Assembly Variant: [No Variations]	Sheet: 2 of 4
Drawn By:	File: TIDM-TM4C129POE_Connector_SchDoc	Size: B
Engineer: Amit Ashara	Contact: http://www.ti.com/support	





Texas Instruments and/or its licensors do not warrant the accuracy or completeness of this specification or any information contained therein. Texas Instruments and/or its licensors do not warrant that this design will meet the specifications, will be suitable for your application or fit for any particular purpose, or will operate in an implementation. Texas Instruments and/or its licensors do not warrant that the design is production worthy. You should completely validate and test your design implementation to confirm the system functionality for your application.

Orderable: No	Designed for: Public Release	Mod. Date: 4/28/2016
TID #: TIDM-TM4C129POE	Project Title: Power Over Ethernet (POE) for Connected IoT	
Number: TIDM-TM4C129POE Rev: A0	Sheet Title:	
SVN Rev: Version control disabled	Assembly Variant: (No Variations)	Sheet: 3 of 4
Drawn By:	File: TIDM-TM4C129POE_Ethernet_SchDoc	Size: B
Engineer: Amit Ashara	Contact: http://www.ti.com/support	



Texas Instruments and/or its licensors do not warrant the accuracy or completeness of this specification or any information contained therein. Texas Instruments and/or its licensors do not warrant that this design will meet the specifications, will be suitable for your application or fit for any particular purpose, or will operate in an implementation. Texas Instruments and/or its licensors do not warrant that the design is production worthy. You should completely validate and test your design implementation to confirm the system functionality for your application.

Orderable: No	Designed for: Public Release	Mod. Date: 4/28/2016
TID #: TIDM-TM4C129POE	Project Title: Power Over Ethernet (POE) for Connected IoT	
Number: TIDM-TM4C129POE Rev: A0	Sheet Title:	
SVN Rev: Version control disabled	Assembly Variant: [No Variations]	Sheet: 4 of 4
Drawn By:	File: TIDM-TM4C129POE PowerStage SchDoc	Size: B
Engineer: Amit Ashara	Contact: http://www.ti.com/support	

