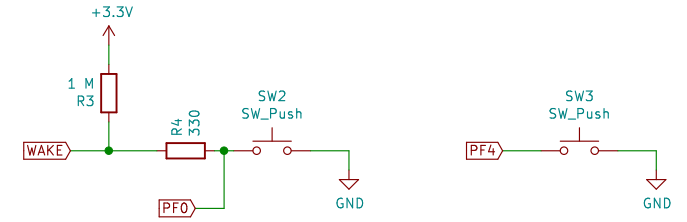
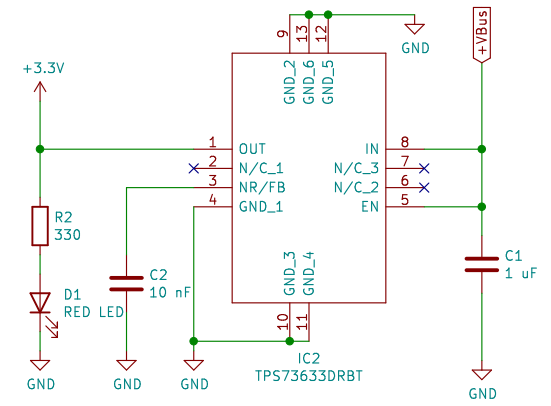


Sheet: Connectors MCU  
 File: connectors\_mcu.sch

Sheet: ICD1  
 File: icd1.sch

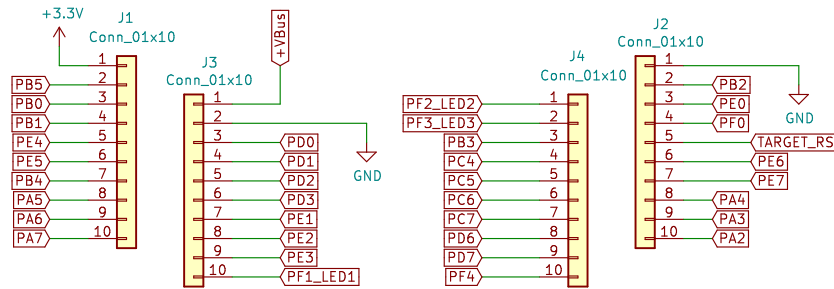
### 3.3V Power Supply



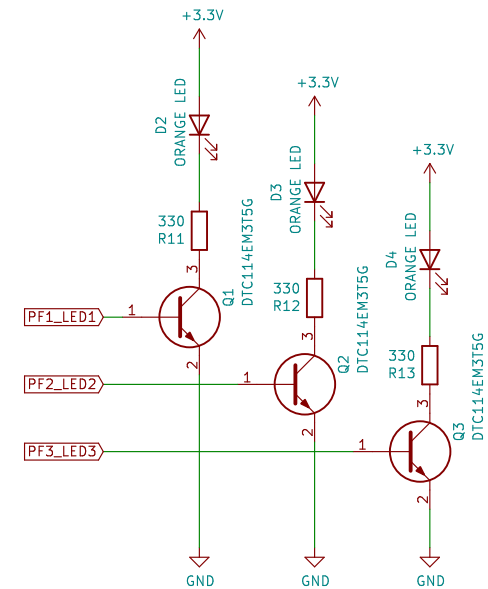
Sheet: /		File: TM4C123GH6PZT7 Custom Dev Kit.sch	
<b>Title:</b>			
Size: A4	Date:		
KiCad E.D.A. kicad (5.1.9)-1		Rev:	Id: 1/3



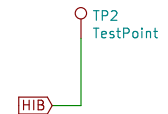
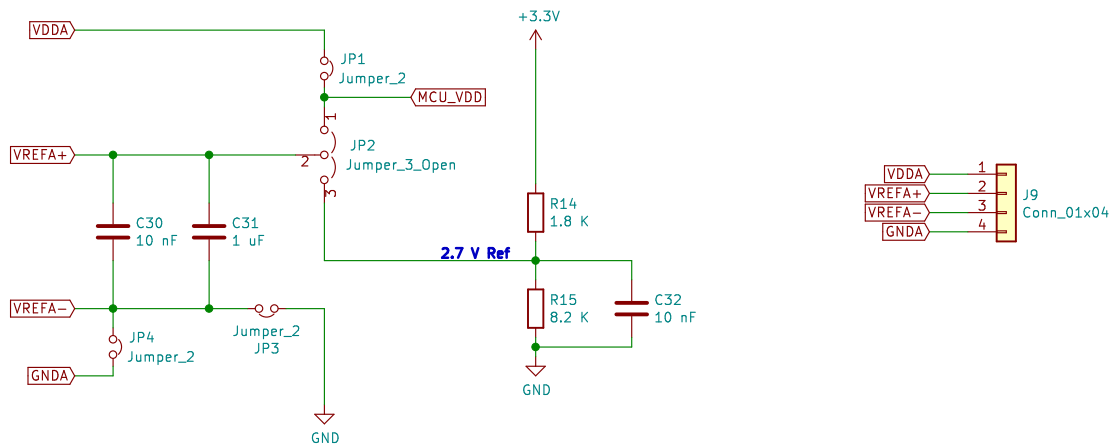
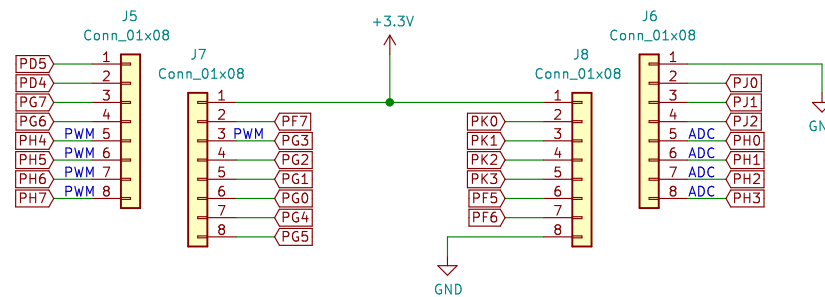
## Launchpad TM4C123GXL Pinouts



## User LED



## Extra Pins of TM4C123GH6PZ MCU



Sheet: /Connectors MCU/  
File: connectors\_mcu.sch

### Title:

Size: A4  
KiCad E.D.A. kicad (5.1.9)-1

Date:

Rev:

Id: 3/3