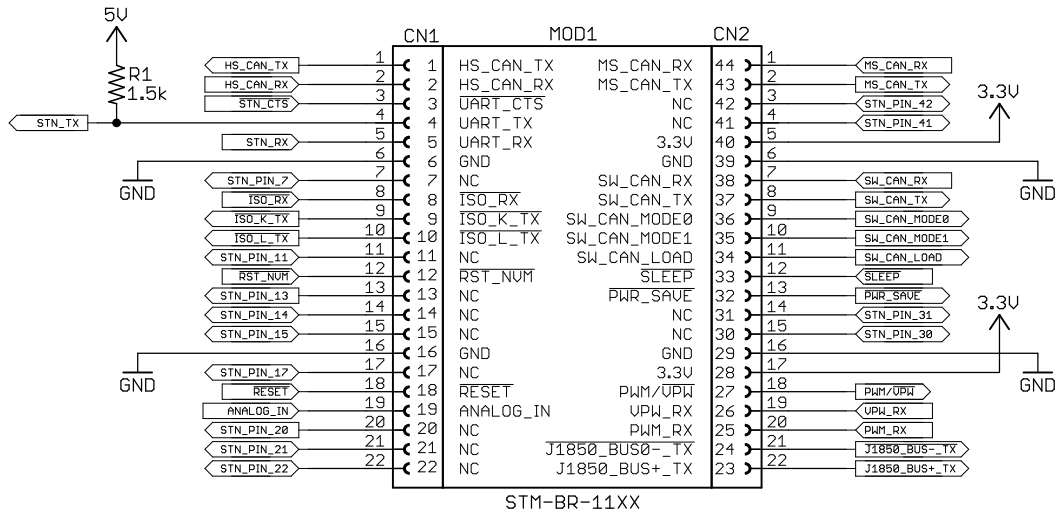
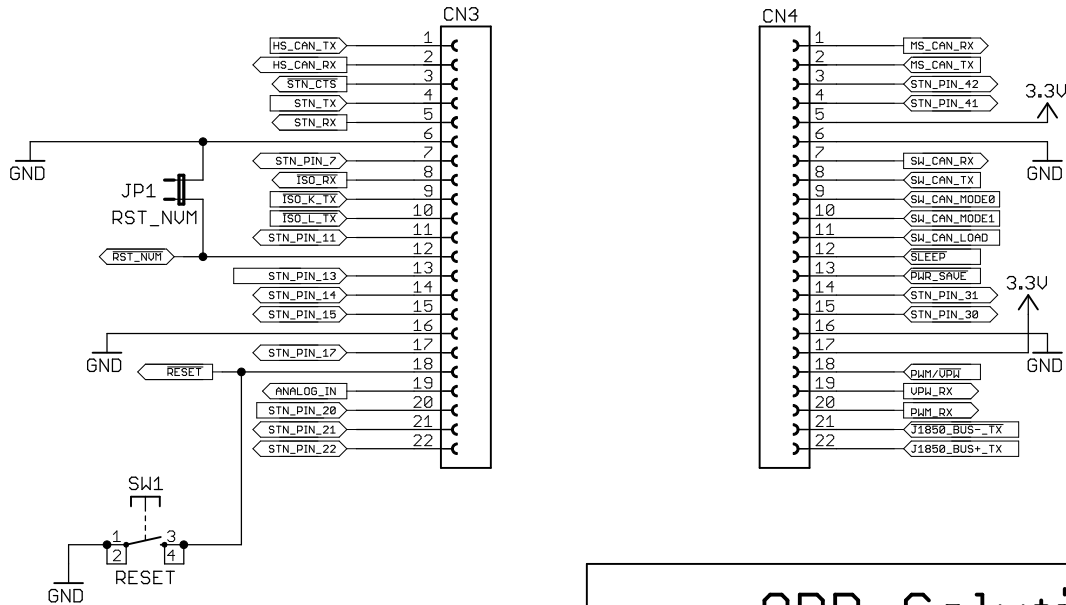


STN Pin Breakout Module



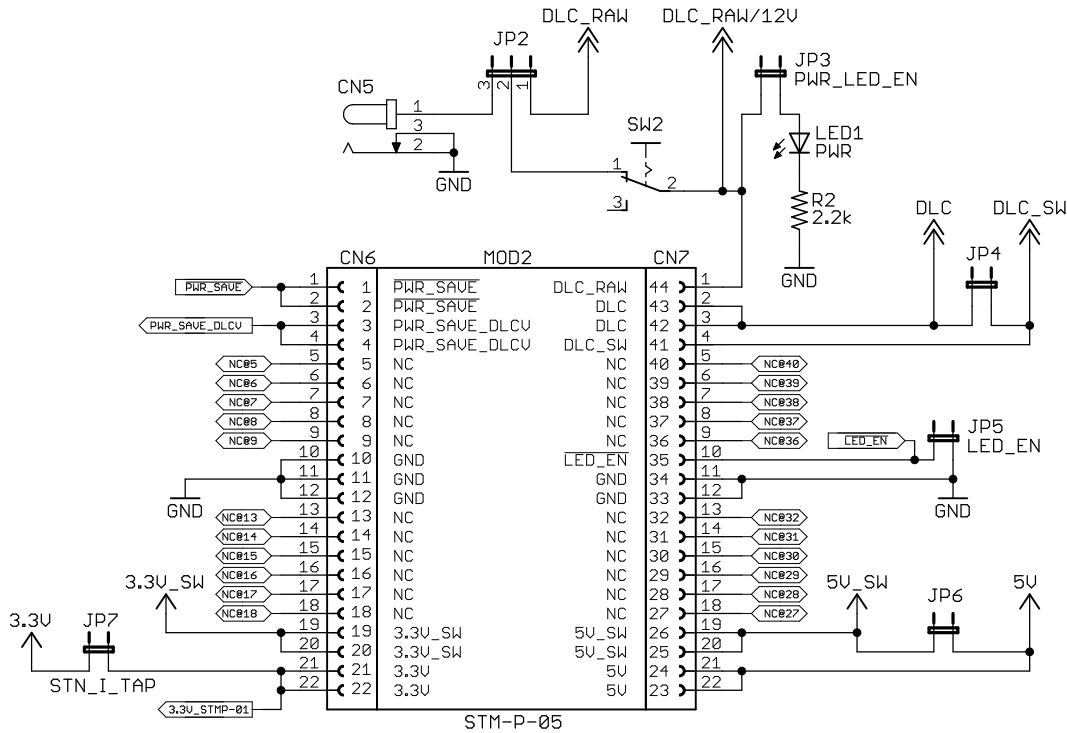
STN Breakout Pins



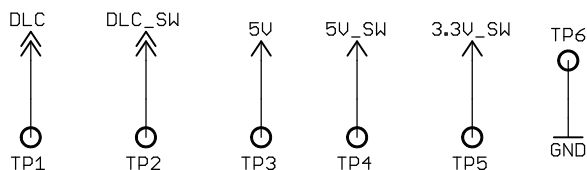
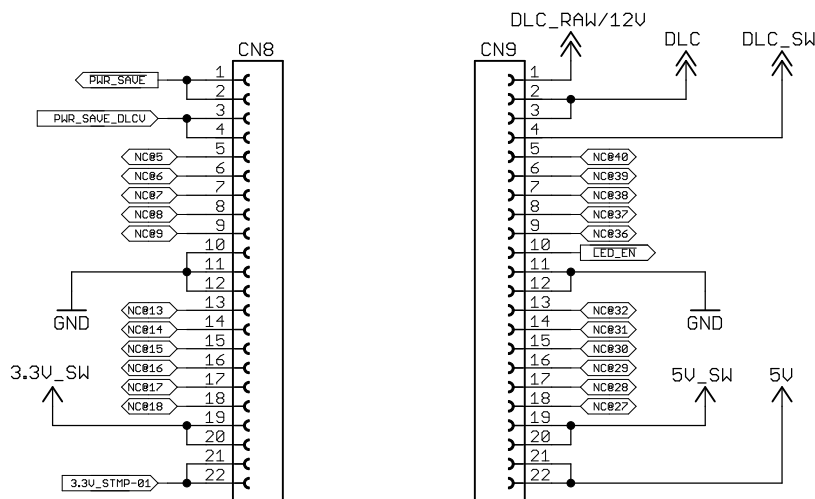
OBD Solutions

Title: OBD Interconnect Development Board	Rev: 1.6/F
Description: OBD Interconnect Development Board	
Date: 2015-04-29 12:15:59 PM	Sheet: 1/5

Power Module



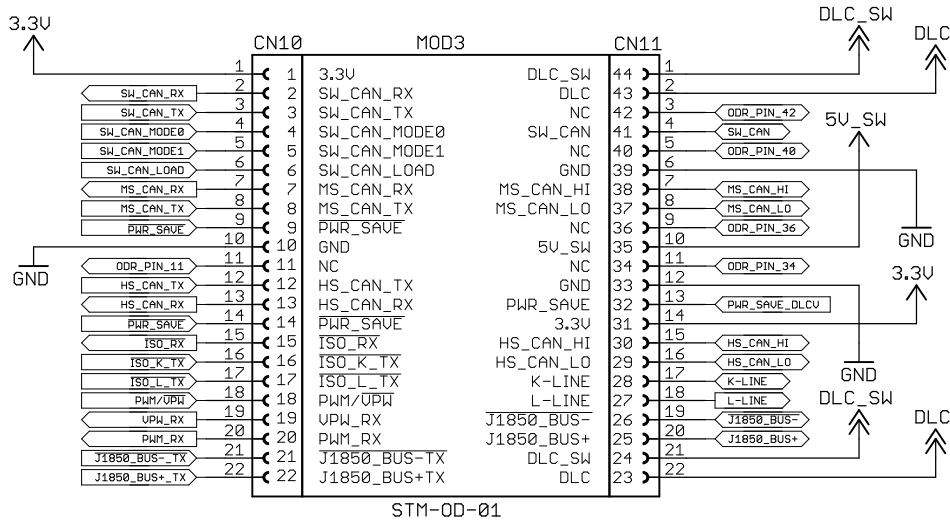
Power Module Breakout Pins



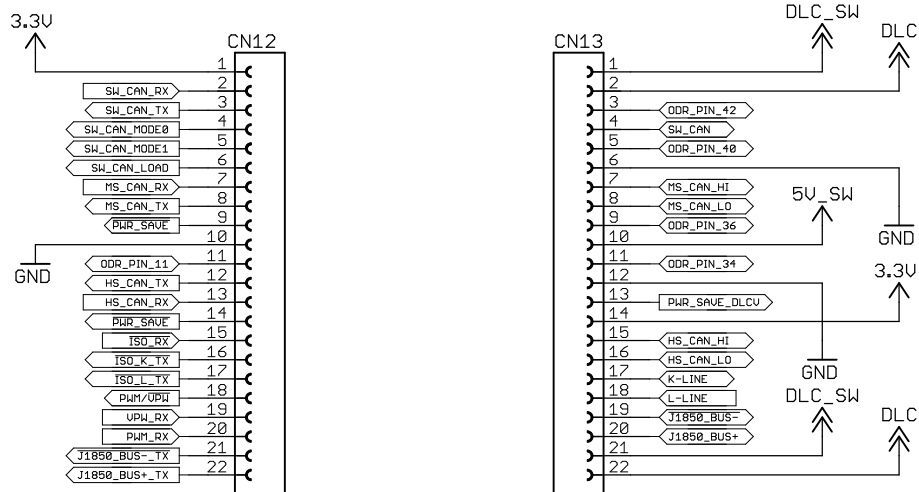
OBD Solutions

Title:	OBD Interconnect Development Board	Rev:	1.6/F
Description:	OBD Interconnect Development Board		
Date:	2015-04-29 12:15:59 PM		Sheet:
			2/5

Driver Module



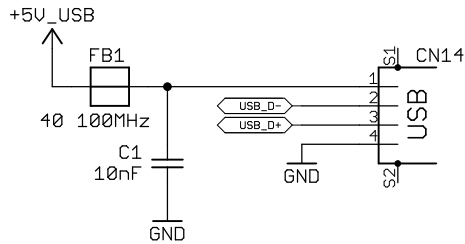
Driver Module Breakout Pins



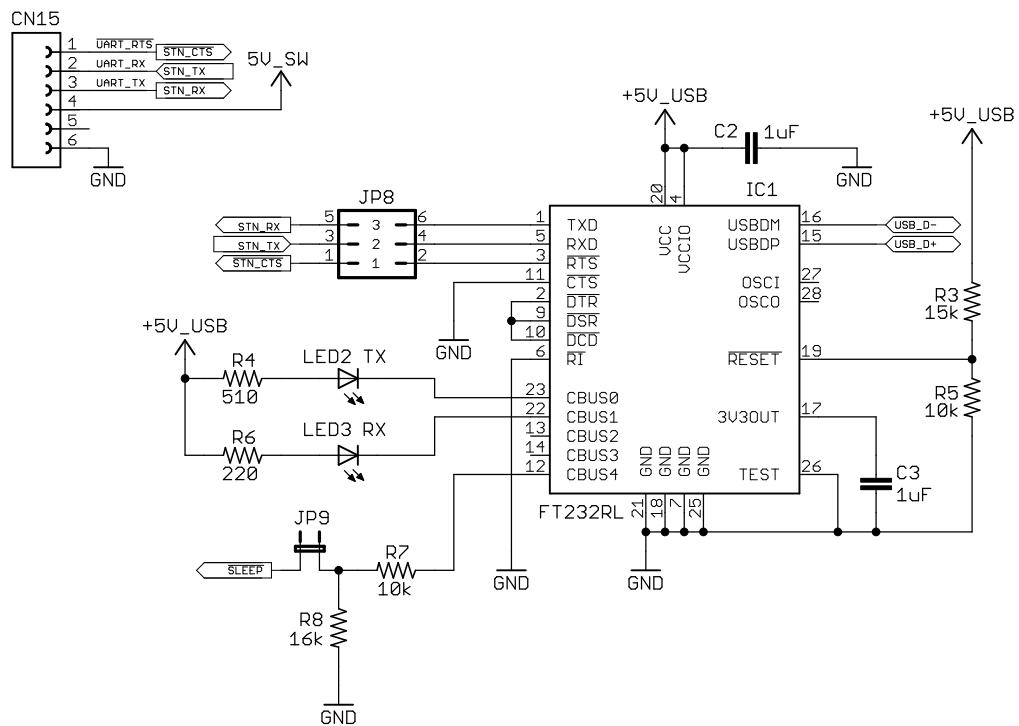
OBD Solutions

Title:	OBID Interconnect Development Board	Rev:	1.6/F
Description:	OBID Interconnect Development Board		
Date:	2015-04-29 12:15:59 PM	Sheet:	3/5

USB Connector & Filter



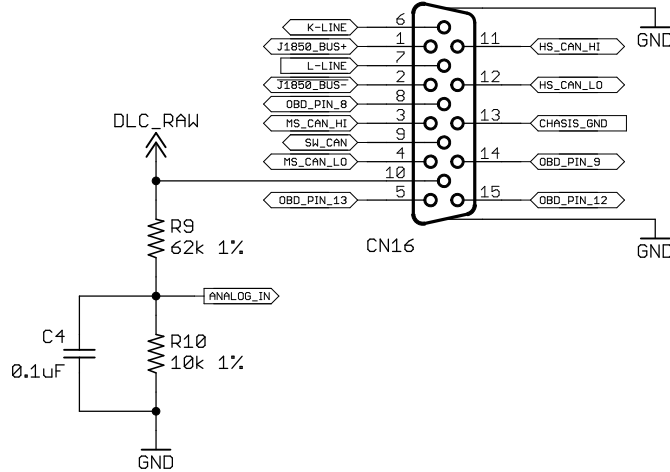
USB Transceiver



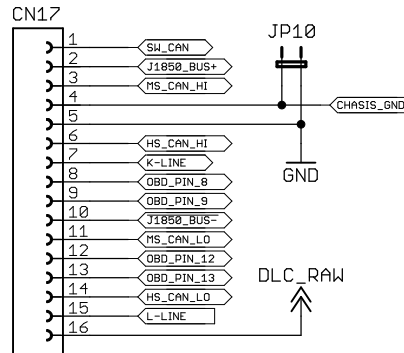
OBD Solutions

Title:	OBID Interconnect Development Board	Rev:	1.6/F
Description:	OBID Interconnect Development Board		
Date:	2015-04-29 12:15:59 PM	Sheet:	4/5

OBD Connector



OBD Breakout Header



OBD Solutions

Title:		Rev:	
OBD Interconnect Development Board		1.6/F	
Description:			
OBD Interconnect Development Board			
Date:		Sheet:	
2015-04-29 12:15:59 PM		5/5	