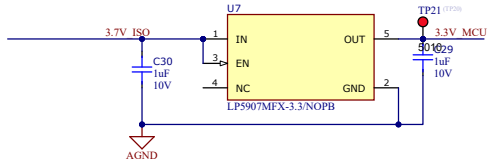
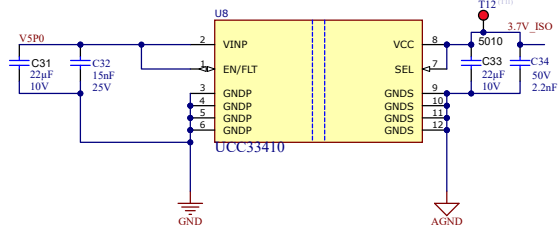


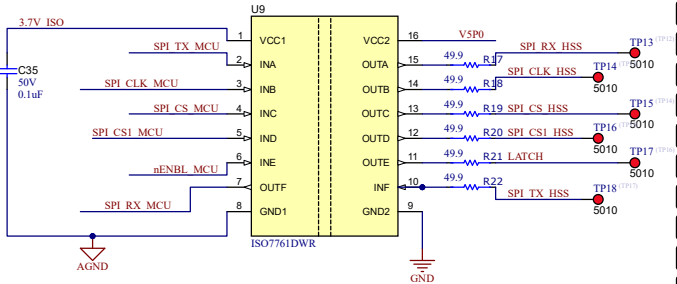
LDO



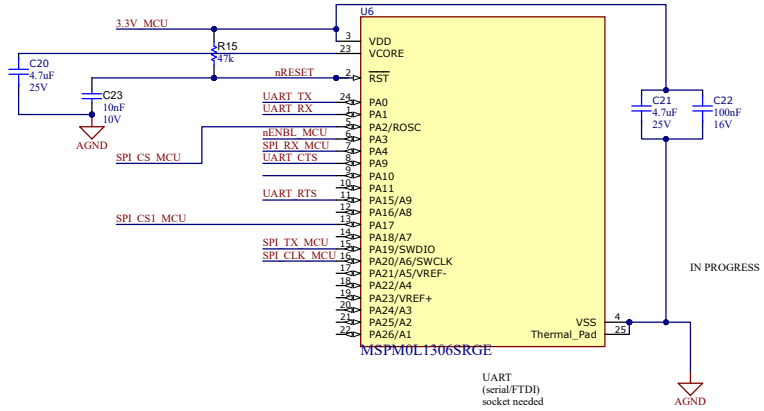
DC/DC Isolated Converter



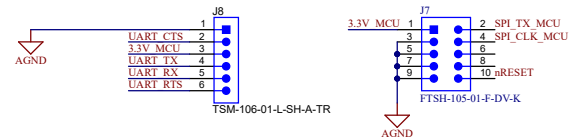
Digital Isolator



MCU



MCU SPI and UART Headers



GND and AGND Test Points



Texas Instruments and/or its licensors do not warrant the accuracy or completeness of this specification or any information contained therein. Texas Instruments and/or its licensors do not warrant that this design will meet the specifications, will be suitable for your application or fit for any particular purpose, or will operate in an implementation. Texas Instruments and/or its licensors do not warrant that the design is production worthy. You should completely validate and test your design implementation to confirm the system functionality for your application.

Orderable:	Designed for: Public Release	Mod. Date: 7/29/2024
TID #:	N/A	Project Title: Change in menu Project/Project Options/Parameter
Number: ID_SwFcdAutrl	RW1 E1	Sheet Title:
SVN Rev.:	Not in version control	Assembly Variant: [No Variations]
Drawn By:	File: PCB_Project_MCU.SchDoc	Sheet: 3 of 4
Engineer: Enter name of project lead	Contact: http://www.ti.com/support	Size: B