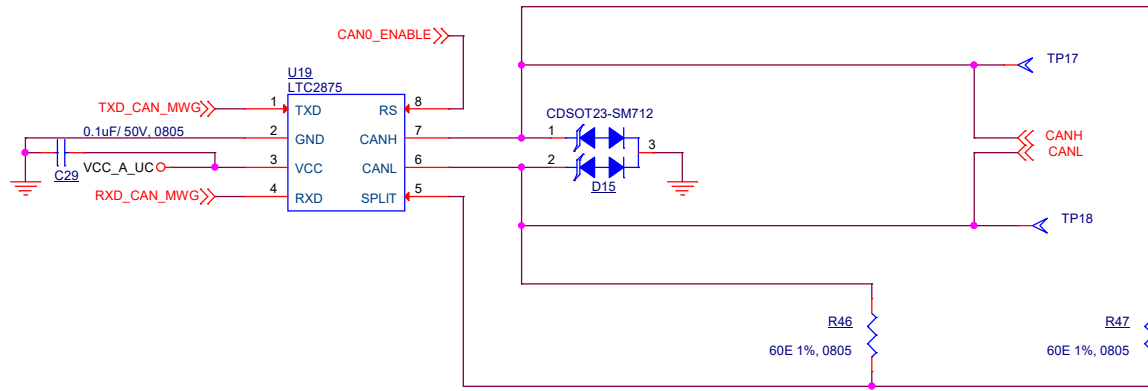
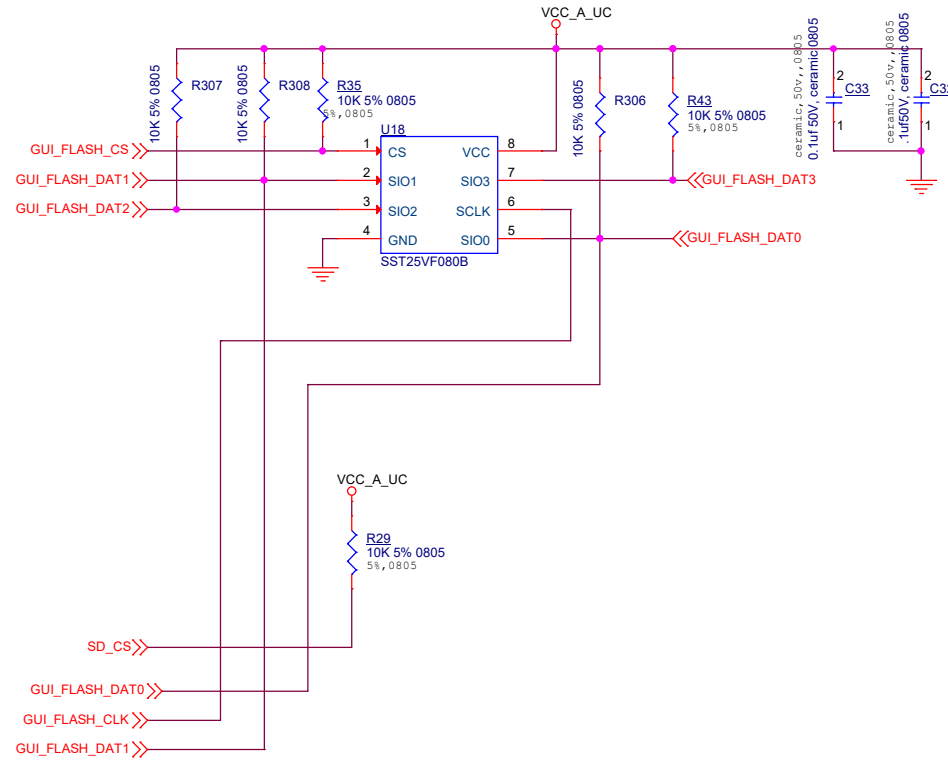


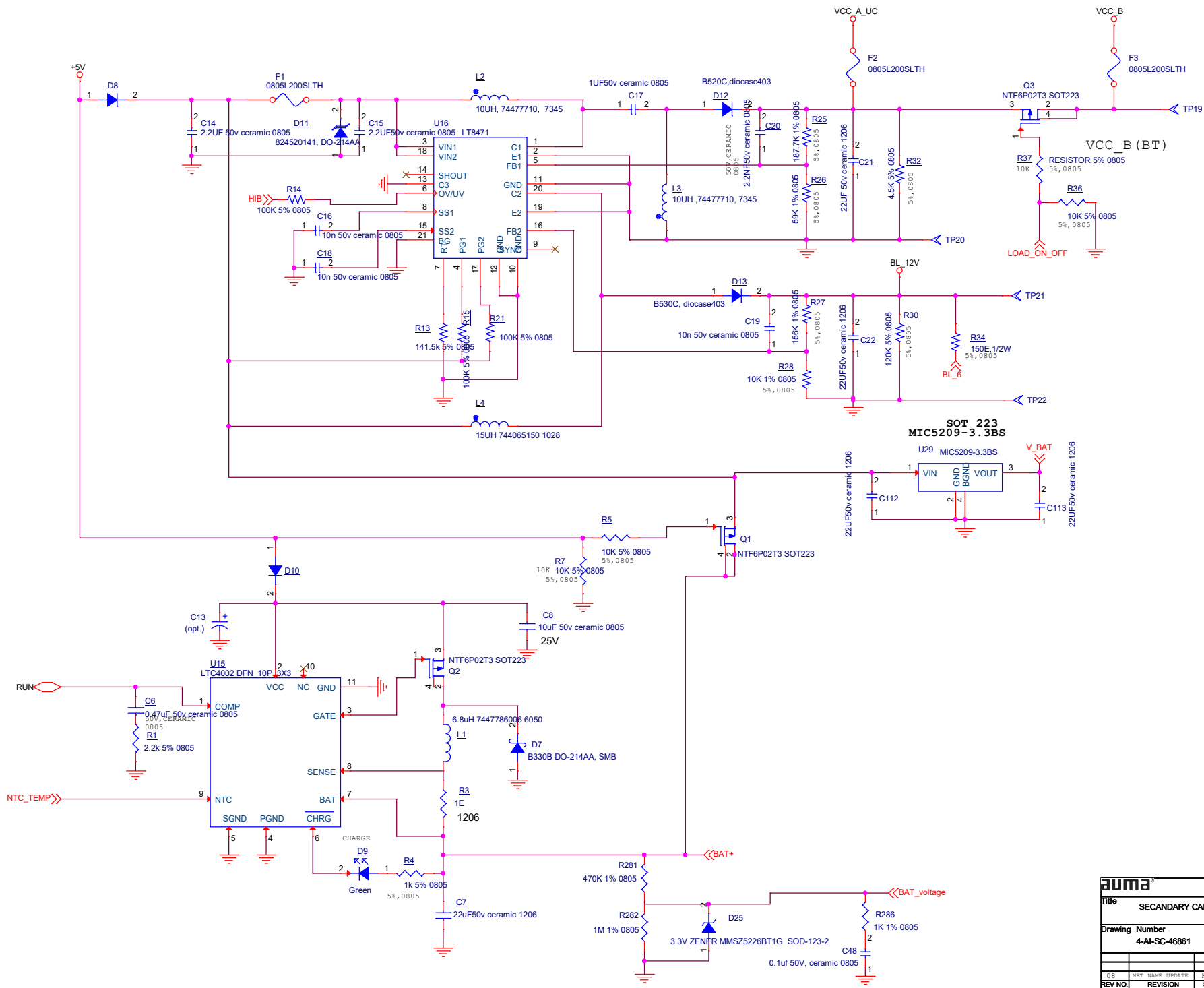
suma		Sheet 1 of 6	
Title: SECANDARY CARD		Article No.: K216.960	
Drawing Number: 4-AI-SC-46861		Prepared By: SNEHA	SMD 29.09.2021
		Checked By: KS	RS 29.09.2021
		Approved By: KMC	KMC 29.09.2021
DES	REV NAME	UPDATE	RS 29.09.2021
REV NO.	REVISION	SIGN	DATE
suma india pvt ltd			BANGALORE-560088



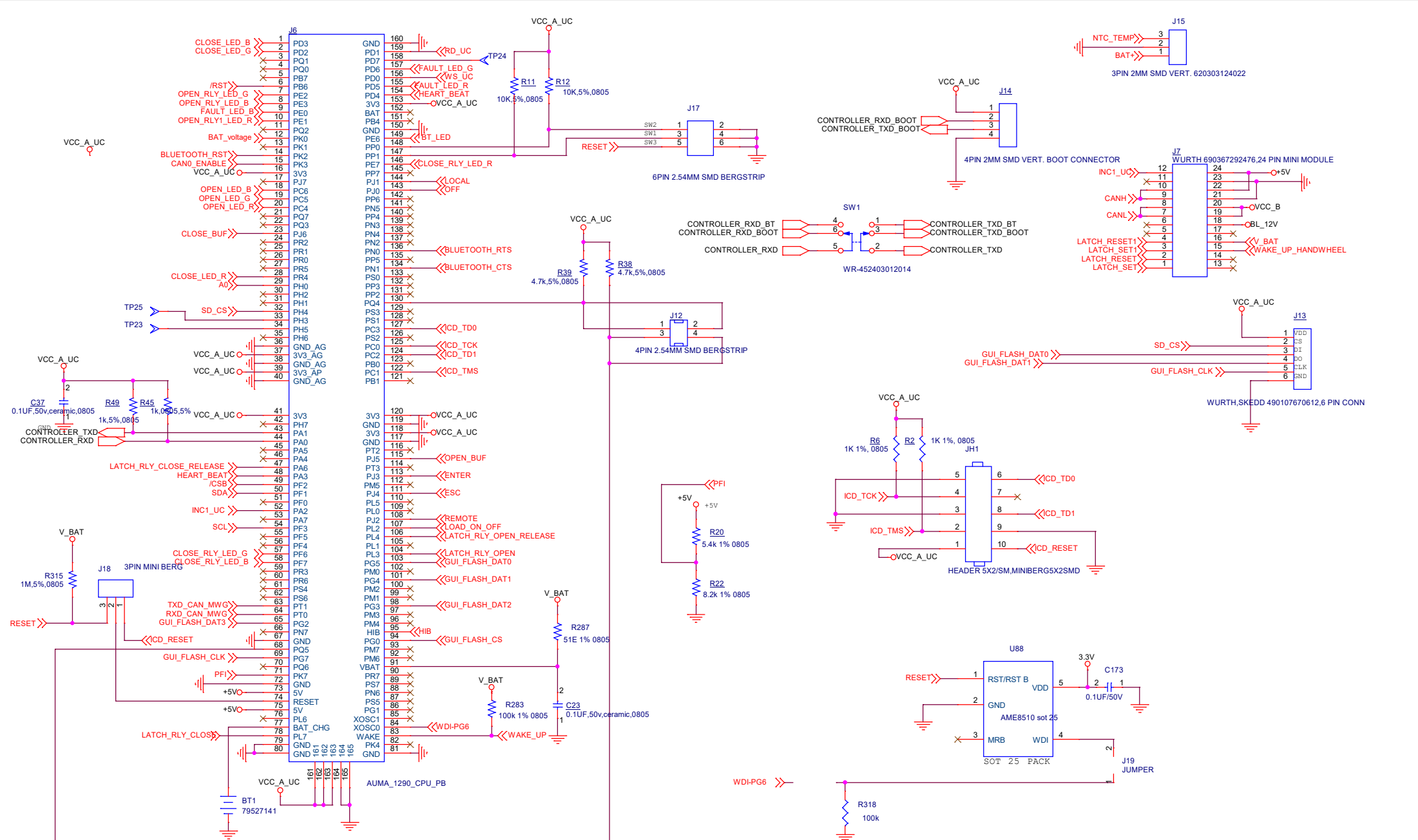
auma		Sheet 2 of 6	
Title SECANDARY CARD		Article No.: K216.960	
Drawing Number 4-AI-SC-46861		Prepared By: SNEHA	Name Sign Date
		Checked By: KS	KS 29.09.2021
		Approved By: KMC	KMC 29.09.2021
08	NET NAME UPDATE	KS	29.09.2021
REV NO.	REVISION	SIGN	DATE
auma india pvt ltd			BANGALORE-560058



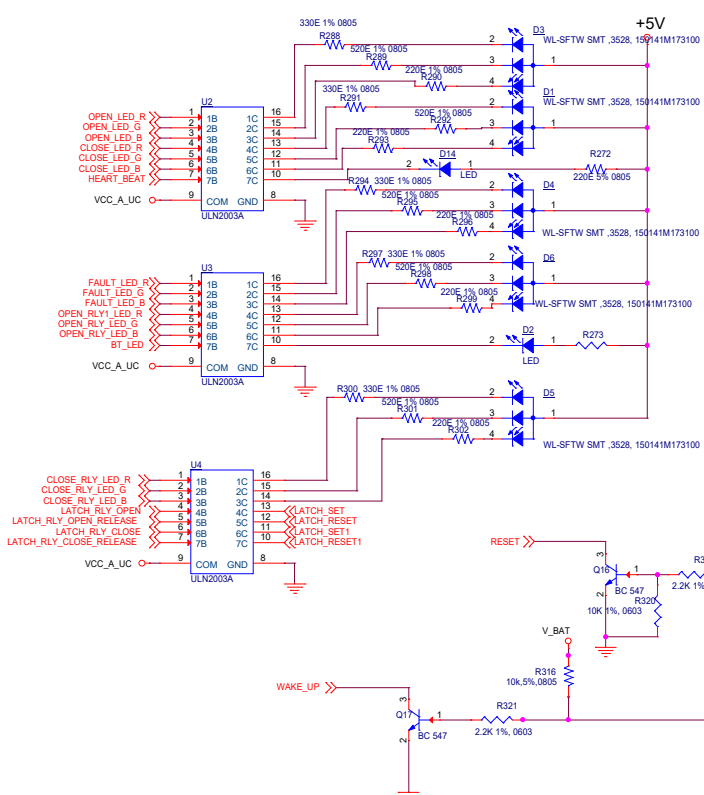
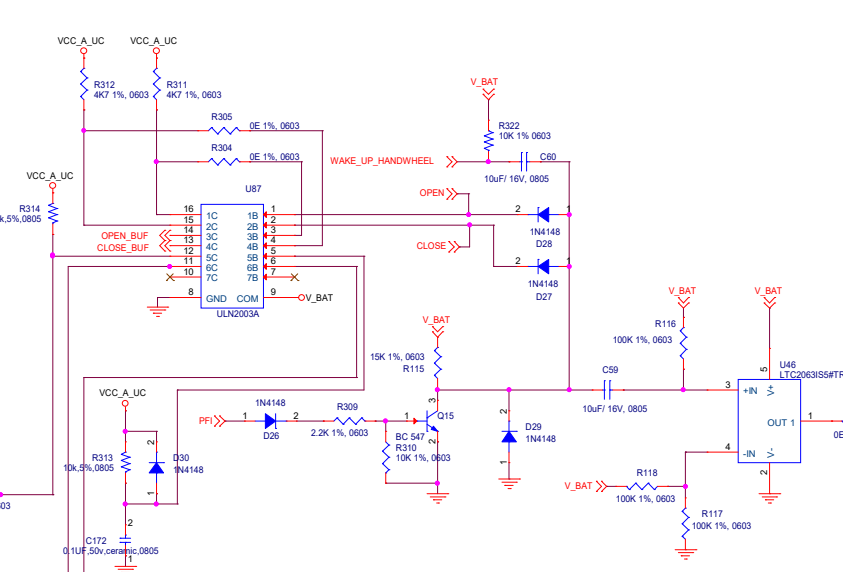
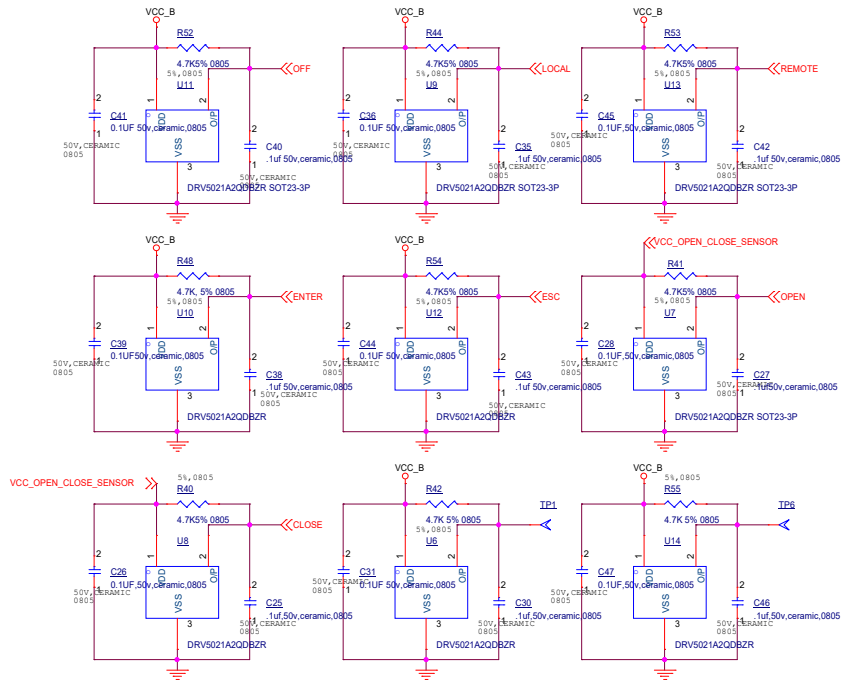
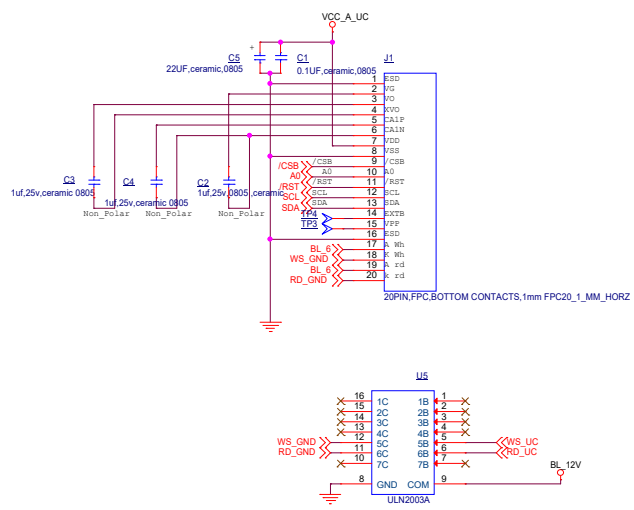
auma		Sheet 3 of 6	
Title: SECUNDARY CARD		Article No.: K216.960	
Drawing Number: 4-AI-SC-46861		Prepared By: SNEHA	Sign: SMD 29.09.2021
		Checked By: KS	RS 29.09.2021
		Approved By: KMC	RMC 29.09.2021
REV NO.	NET NAME	UPDATE	KS 29.09.2021
	REVISION	SIGN	DATE
auma india pvt ltd BANGALORE-560058			



auma		Sheet 4 of 6	
Title: SECONDARY CARD		Article No.: K216.960	
Drawing Number: 4-AI-SC-46861	Prepared By: SNEHA	Name	Sign
	Checked By: IKS	SMD	Date: 29.09.2023
	Approved By: KMC	KS	29.09.2023
		RMC	29.09.2023
REV NO.		auma india pvt ltd	
REVISION		BANGALORE-560058	
DATE	DATE		



auma		Sheet 5 of 6	
Title SECONDARY CARD		Article No.: K216.960	
Drawing Number 4-AI-SC-46861	Prepared By: SNEIVA	Name KS	Date 29.09.2023
	Checked By: KS	KS	29.09.2023
	Approved By: KMC	KMC	29.09.2023
US	NET NAME UPDATE	KS	29.09.2023
REV NO.	REVISION	SIGN	DATE
auma india pvt ltd			
BANGALORE-560076			



ajuma		Sheet 6 of 6	
Title: SECONDARY CARD		Article No.: K216.960	
Drawing Number: 4-AI-SC-4661	Prepared By: SNEHA	Name: SNEHA	Sign: [Signature]
	Checked By: KS	Date: 15-09-2022	
	Approved By: KMC	Date: 15-09-2022	
ajuma india pvt ltd			
REV NO:	REVISION:	SIGN:	DATE: