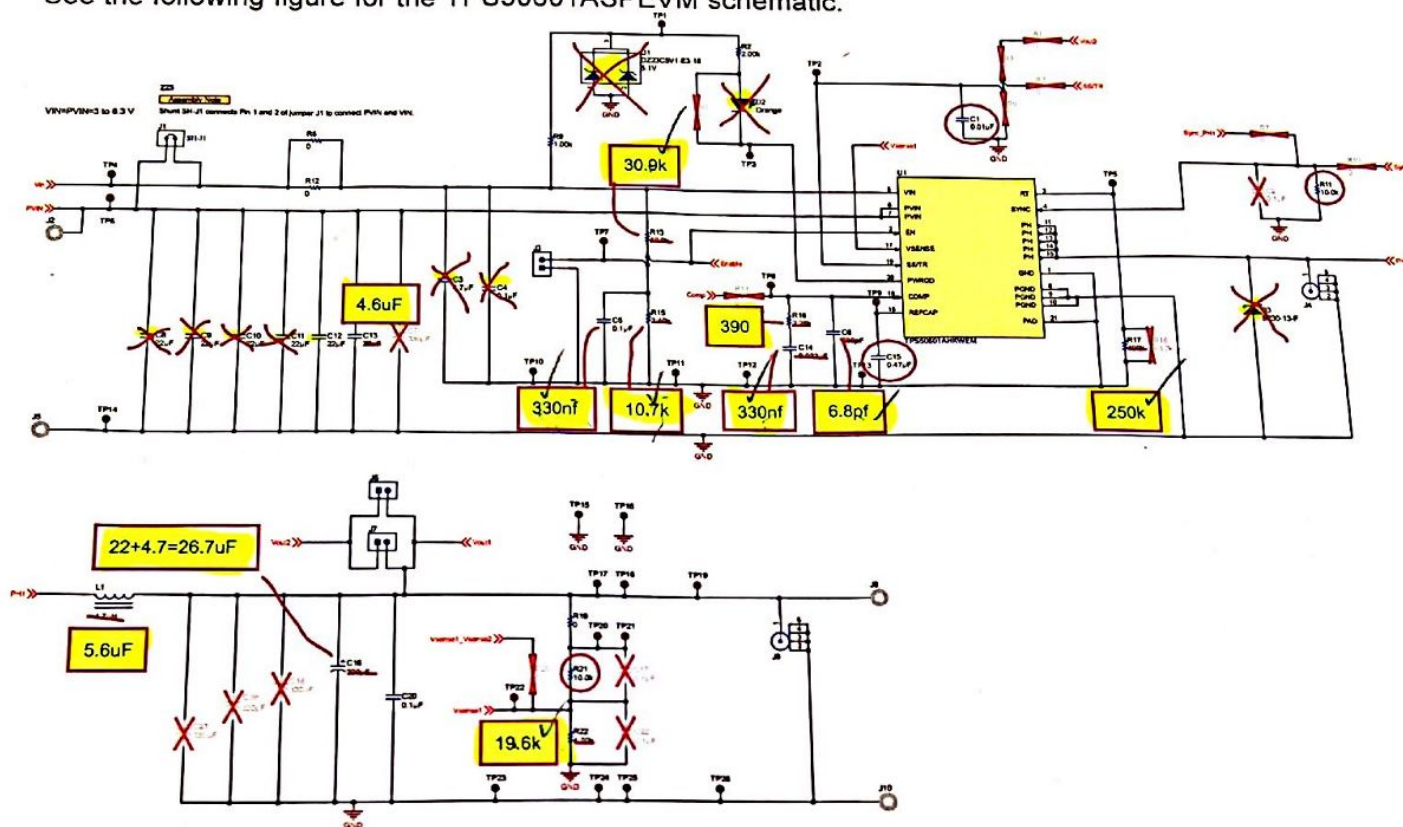


## 5 Schematic and Bill of Materials

This section presents the TPS50601ASPEVM schematics and bill of materials.

### 5.1 Schematic

See the following figure for the TPS50601ASPEVM schematic.



### 5.2 Bill of Materials

390Ω  
19.6k  
10.7k  
30.9k  
249k

Table 5. Bill of Materials