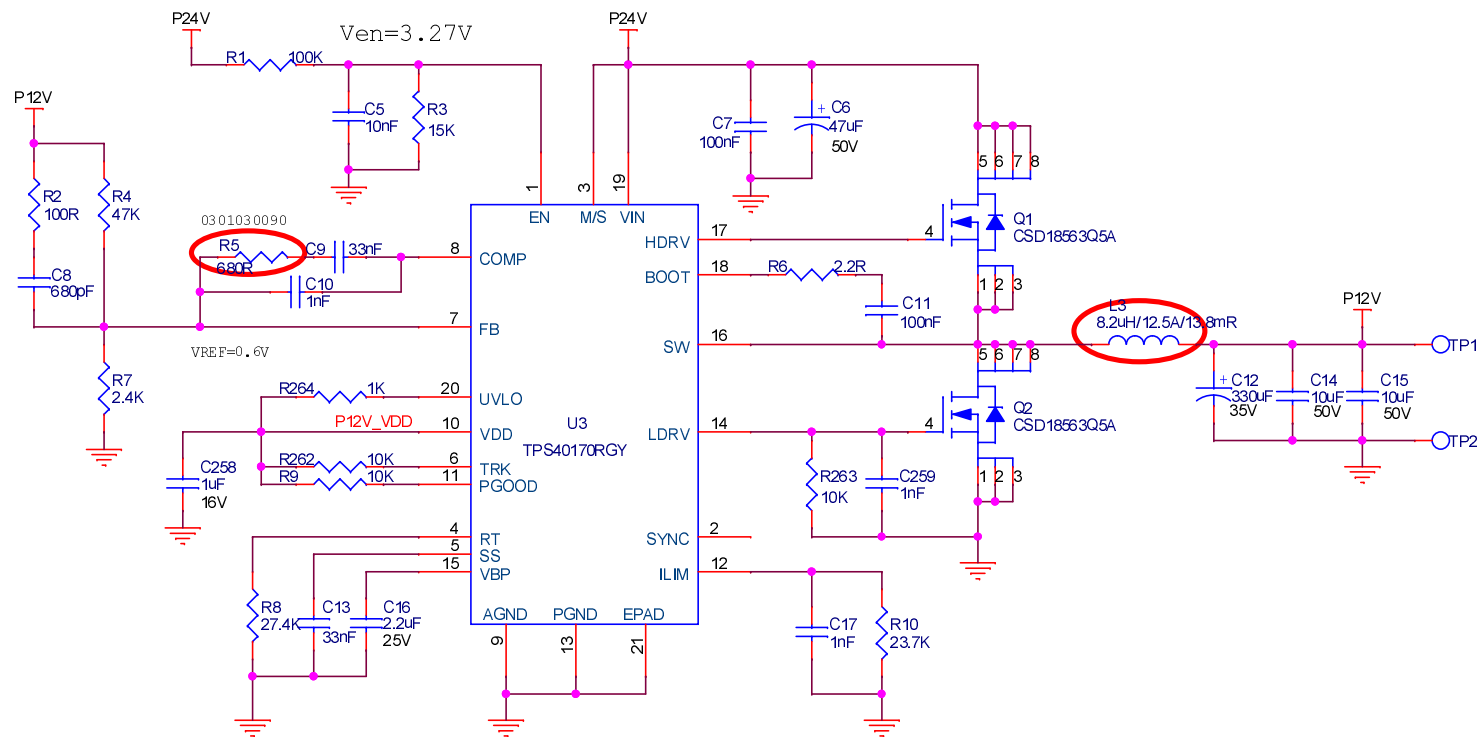


Filter circuit

Title	2005PB-MC1-VA0	Size	A4	Rev	VA0
Page:	FILTER				
Author:	Xierong				
Review:	<Review>				
Create Date:	Saturday, June 06, 2020				
Modify Date:	Tuesday, August 24, 2021				
Sheet	3 of 20				



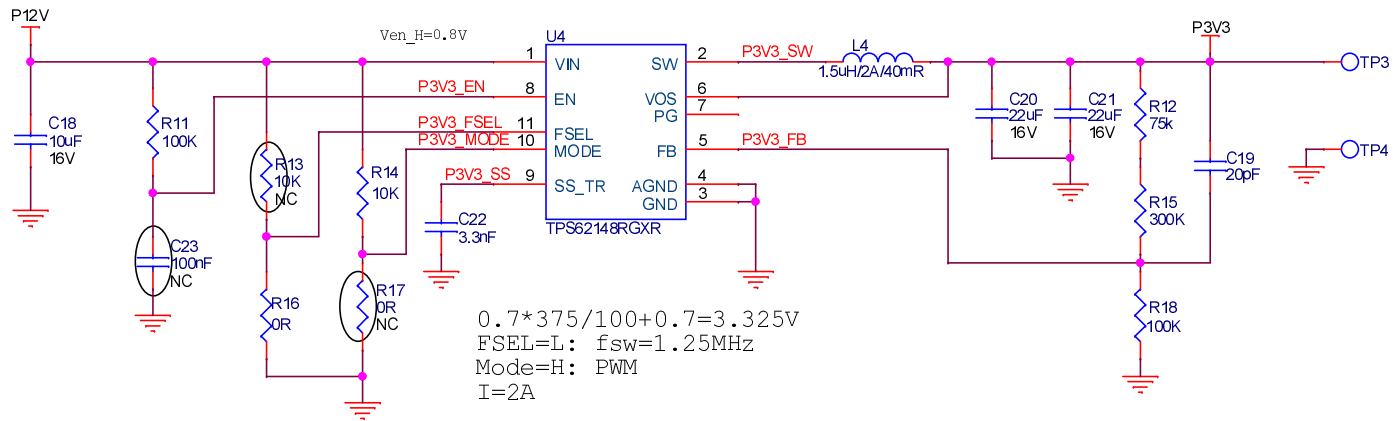


$0.6 \times 47 / 2.4 + 0.6 = 12.35V$   
 $I_{LIM} = 13A$   
 $f_{sw} = 400kHz$   
 Mode=Master  
 $SS = 3ms$   
 $f_s = 340kHz$

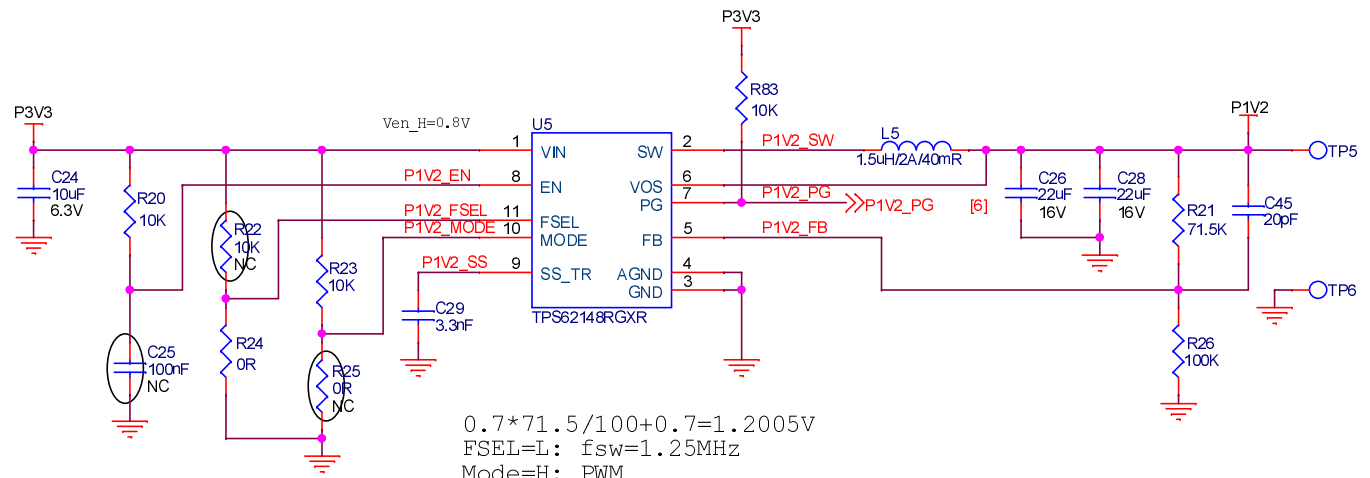
### 24V TO 12V

Title	2005PB-MC1-VA0	Size	A4	Rev	VA0
Page:	POWER				
Author:	Xierong				
Review:	<Review>				
Create Date:	Saturday, June 06, 2020				
Modify Date:	Tuesday, August 24, 2021				
Sheet	4 of 20				





$0.7 * 375 / 100 + 0.7 = 3.325V$   
 FSEL=L: fsw=1.25MHz  
 Mode=H: PWM  
 I=2A

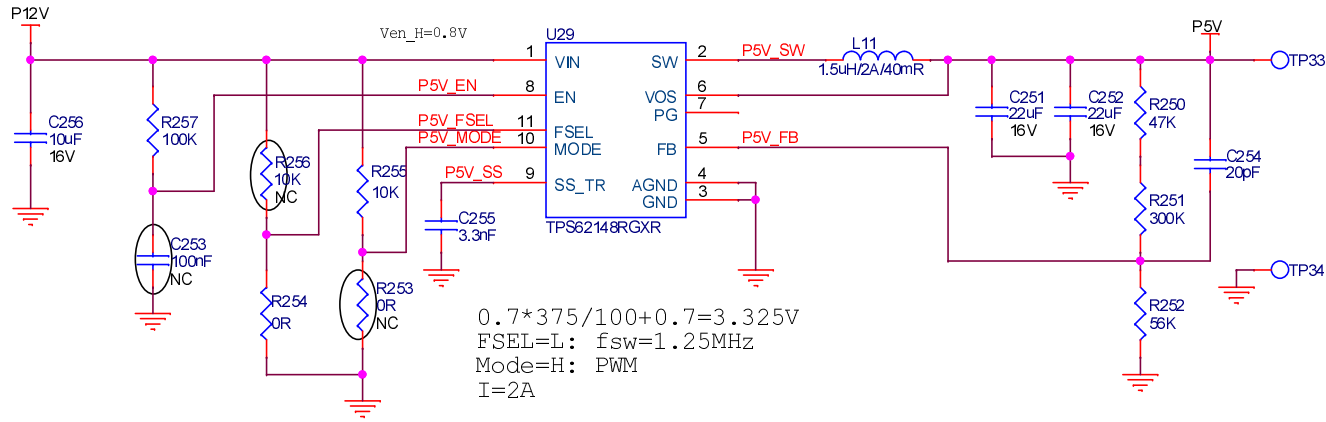


$0.7 * 71.5 / 100 + 0.7 = 1.2005V$   
 FSEL=L: fsw=1.25MHz  
 Mode=H: PWM  
 I=2A

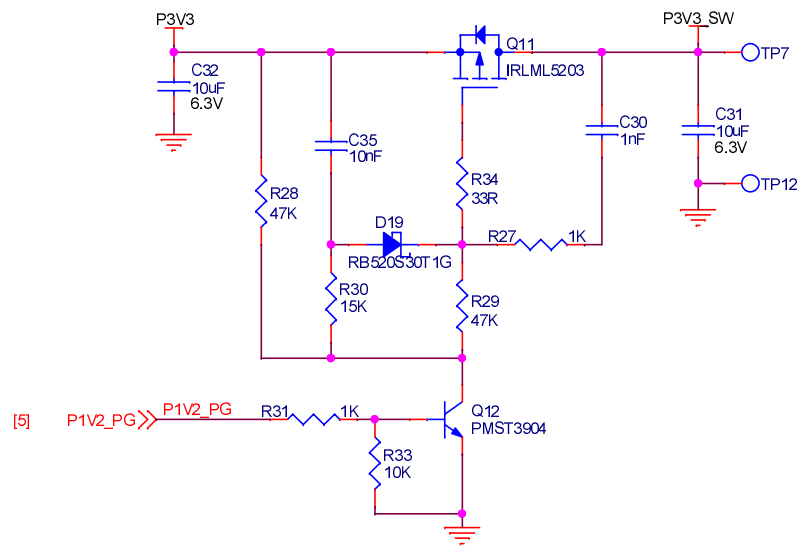
<Variant Name>

Title	2005PB-MC1-VA0	Size	A4	Rev	VA0
Page:	POWER				
Author:	Xierong				
Review:	<Review>				
Create Date:	Thursday, August 23, 2018				
Modify Date:	Tuesday, August 24, 2021				
Sheet	5 of 20				



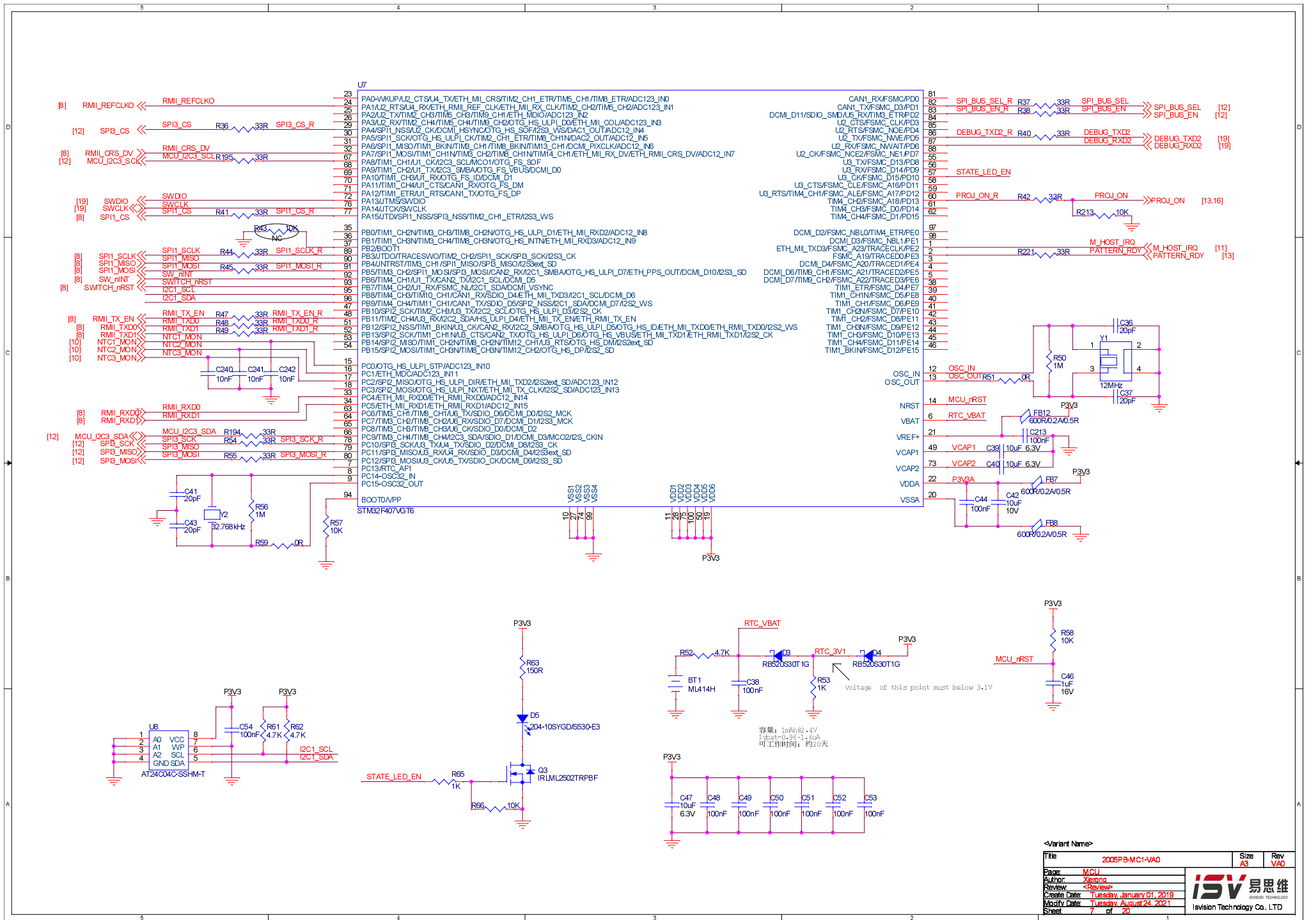


$0.7 * 375 / 100 + 0.7 = 3.325V$   
 FSEL=L: fsw=1.25MHz  
 Mode=H: PWM  
 I=2A



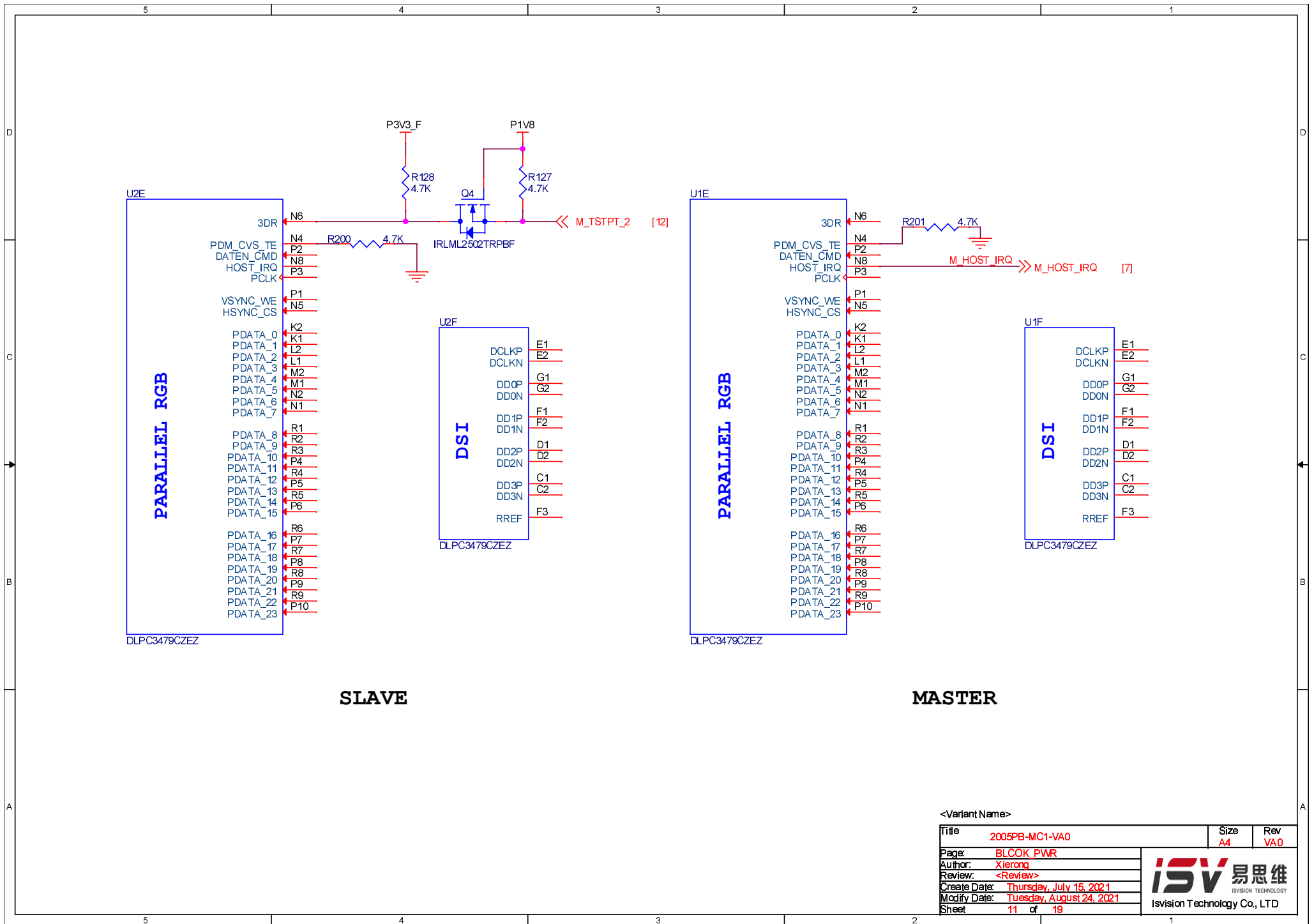
Title	2005PB-MC1-VA0	Size	A4	Rev	VA0
Page:	POWER P2V5				
Author:	Xierong				
Review:	<Review>				
Create Date:	Saturday, June 06, 2020				
Modify Date:	Tuesday, August 24, 2021				
Sheet	6 of 20				





Variant Name:		Size	Rev
2005PB-MC1-VA0		A3	VA0
File	2005PB-MC1-VA0		
Page	MCU		
Author	Xiaojun		
Review	<Review>		
Create Date	Tuesday, January 01, 2019		
Modify Date	Tuesday, August 24, 2021		
Sheet	7 of 20		





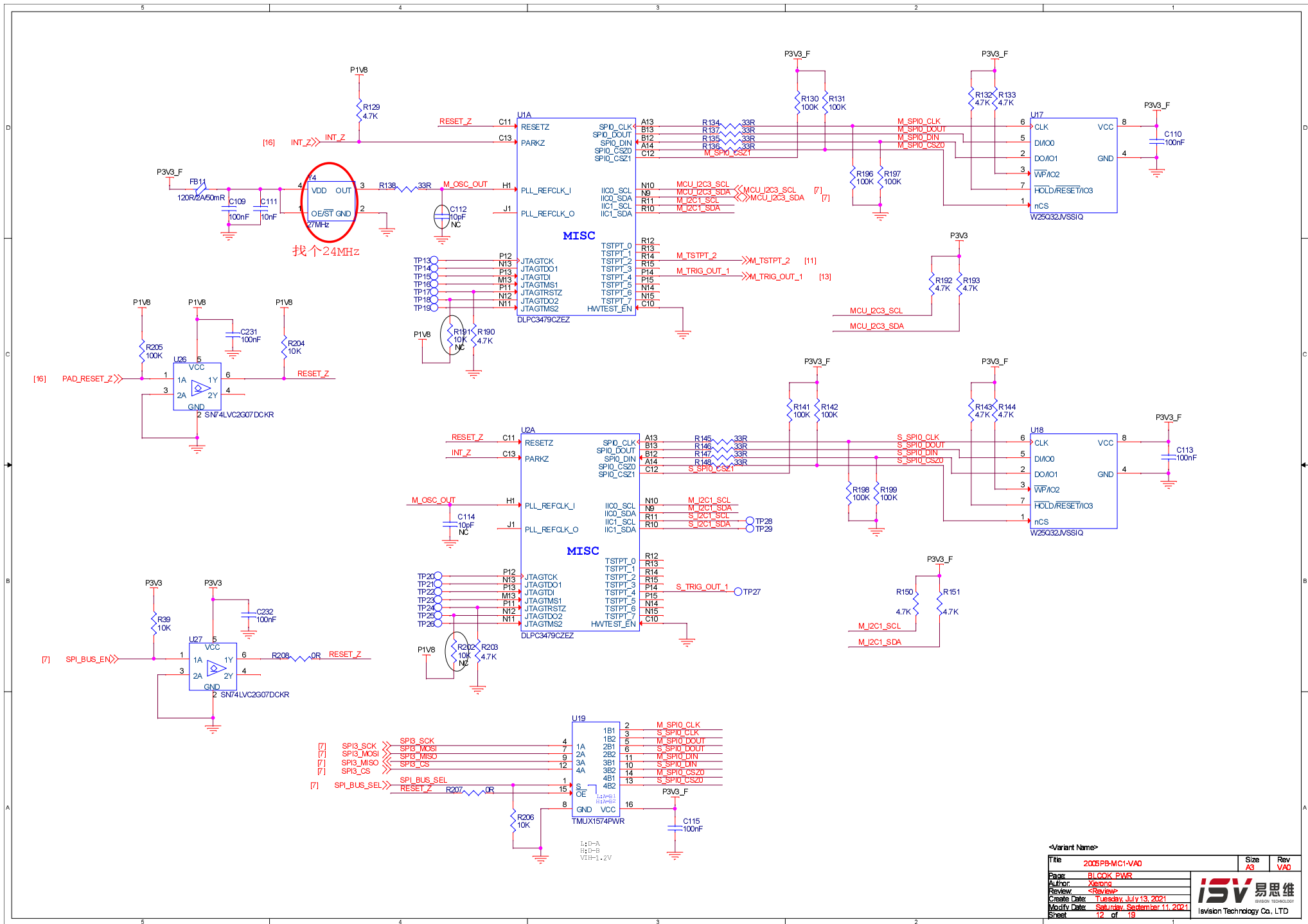
**SLAVE**

**MASTER**

<Variant Name>

Title	2005PB-MC1-VA0	Size	A4	Rev	VA0
Page:	BLOCK PWR				
Author:	Xierong				
Review:	<Review>				
Create Date:	Thursday, July 15, 2021				
Modify Date:	Tuesday, August 24, 2021				
Sheet	11 of 19				

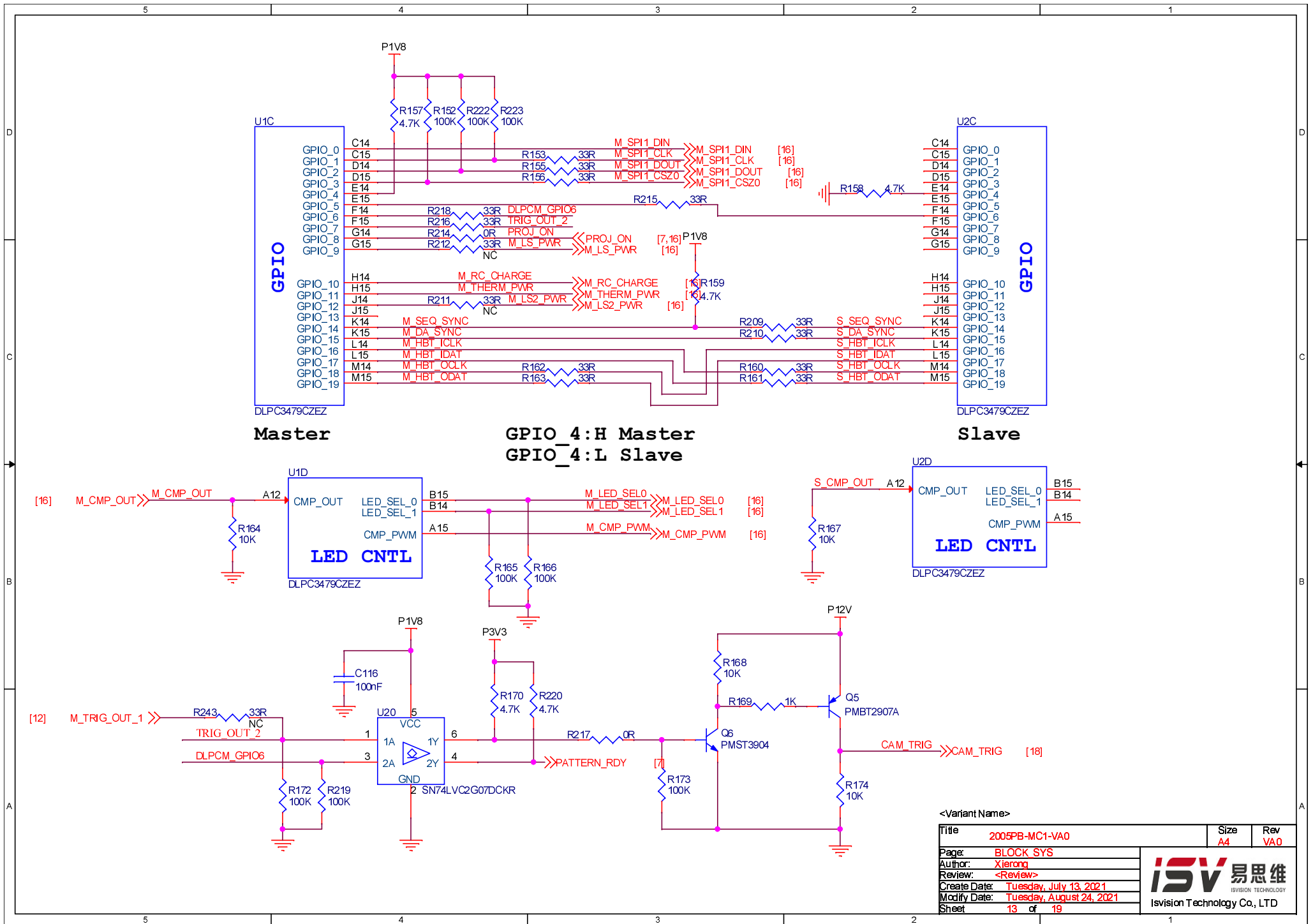




-Variant Name-		File	2005PB-MC1-VA0	Size	Rev
Page	BL/CLK/PWR	A3	VA0		
Author	Xipeng				
Review	<Review>				
Create Date	Tuesday, July 13, 2021				
Modify Date	Saturday, September 11, 2021				
Sheet	12 of 19				



Isvision Technology Co., LTD

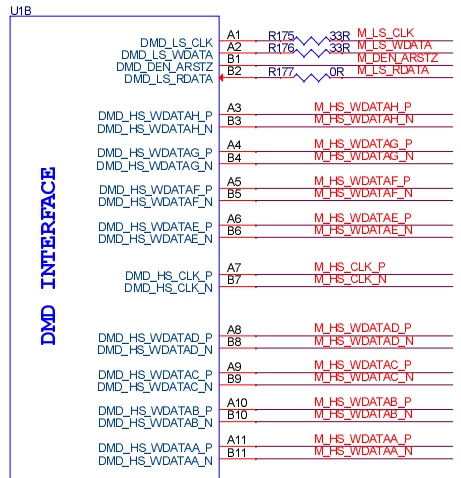


<Variant Name>

Title	2005PB-MC1-VA0	Size	A4	Rev	VA0
Page:	BLOCK SYS				
Author:	Xierong				
Review:	<Review>				
Create Date:	Tuesday, July 13, 2021				
Modify Date:	Tuesday, August 24, 2021				
Sheet	13 of 19				







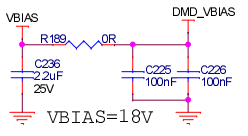
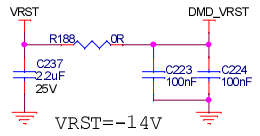
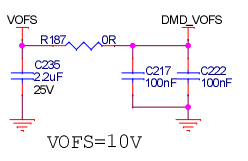
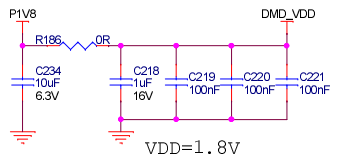
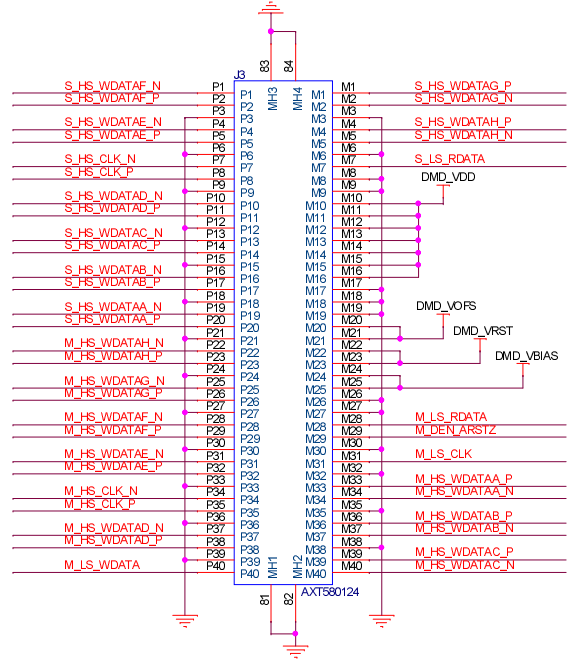
DLPC3479CZEZ  
Master



DLPC3479CZEZ  
Slave

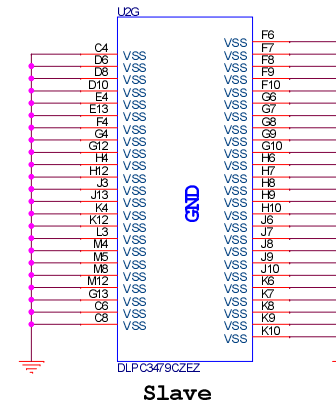
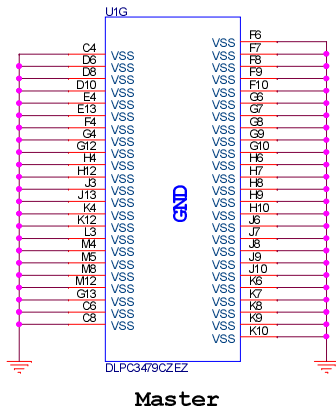
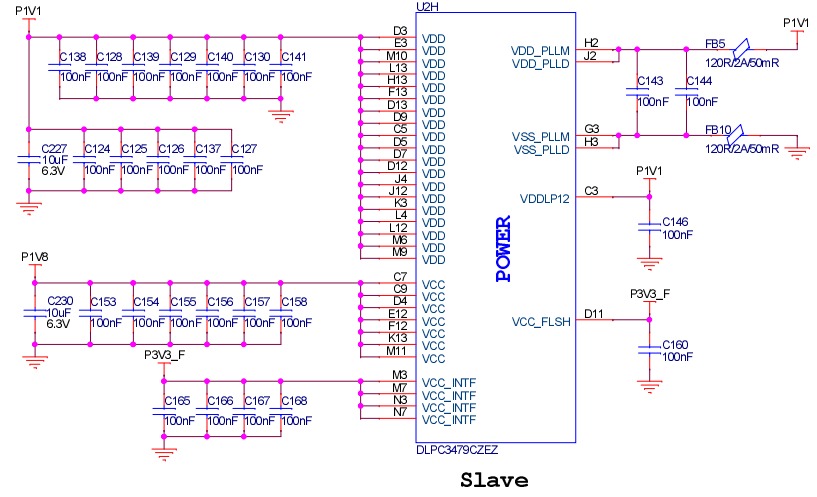
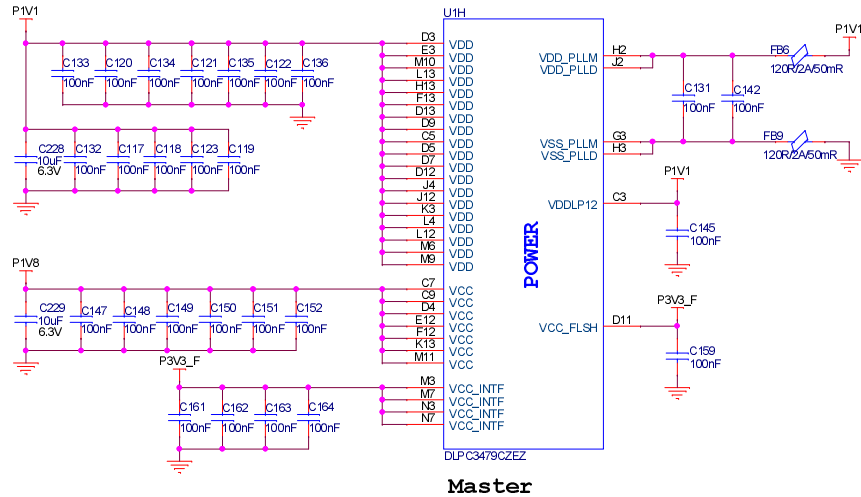
MASTER (A)	SLAVE (B)	DMD PINS
D	E	0
C	F	1
B	G	2
A	H	3
H	A	4
G	B	5
F	C	6
E	D	7

原理图管脚定义一致，封装镜像



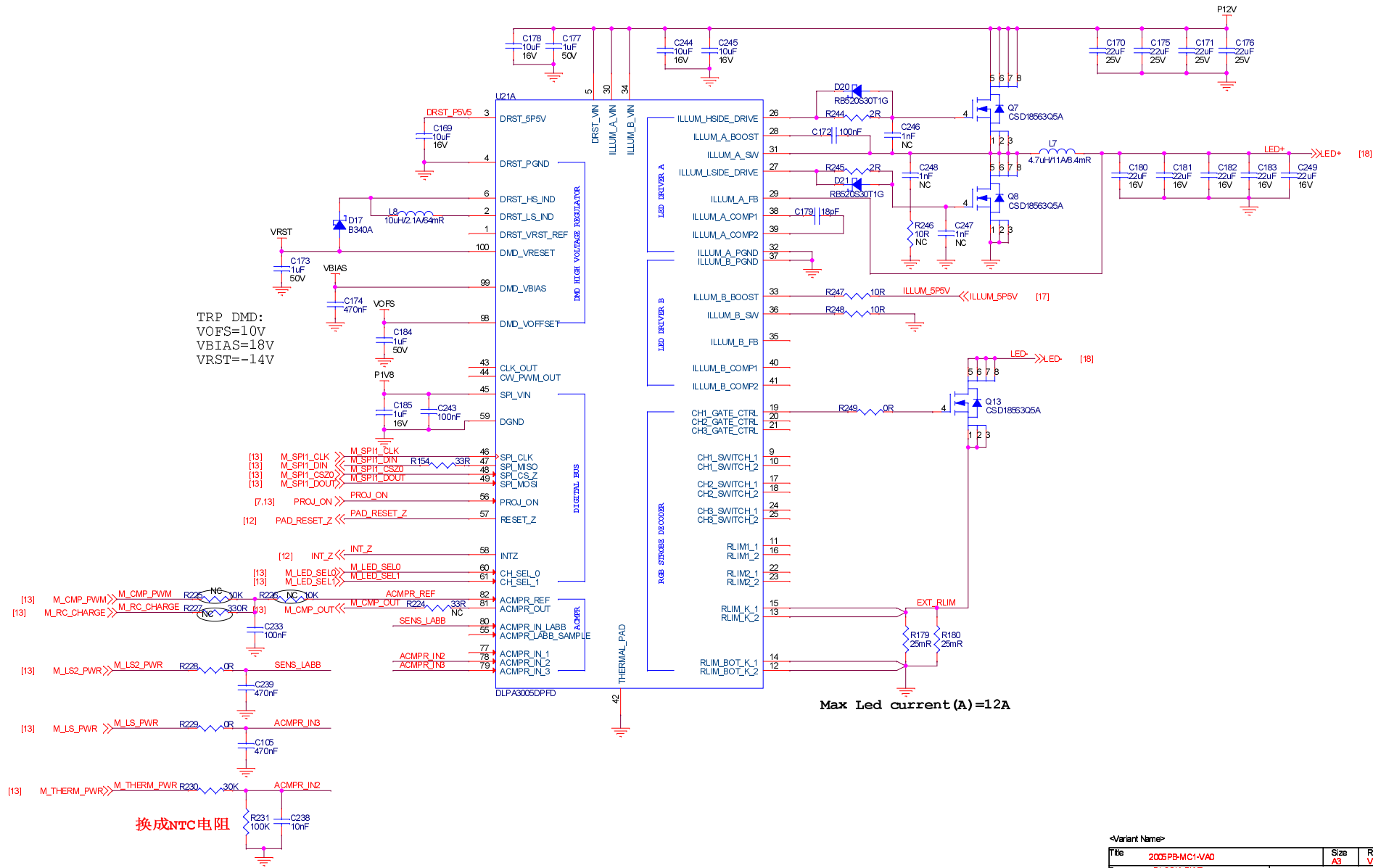
Title		Size	Rev
2005PB-MC1-VA0		A3	VA0
Page: BLOCK SYS			
Author: Xipedia			
Review: <Review>			
Create Date: Tuesday, July 13, 2021			
Modify Date: Tuesday, August 24, 2021			
Sheet: 14 of 19			





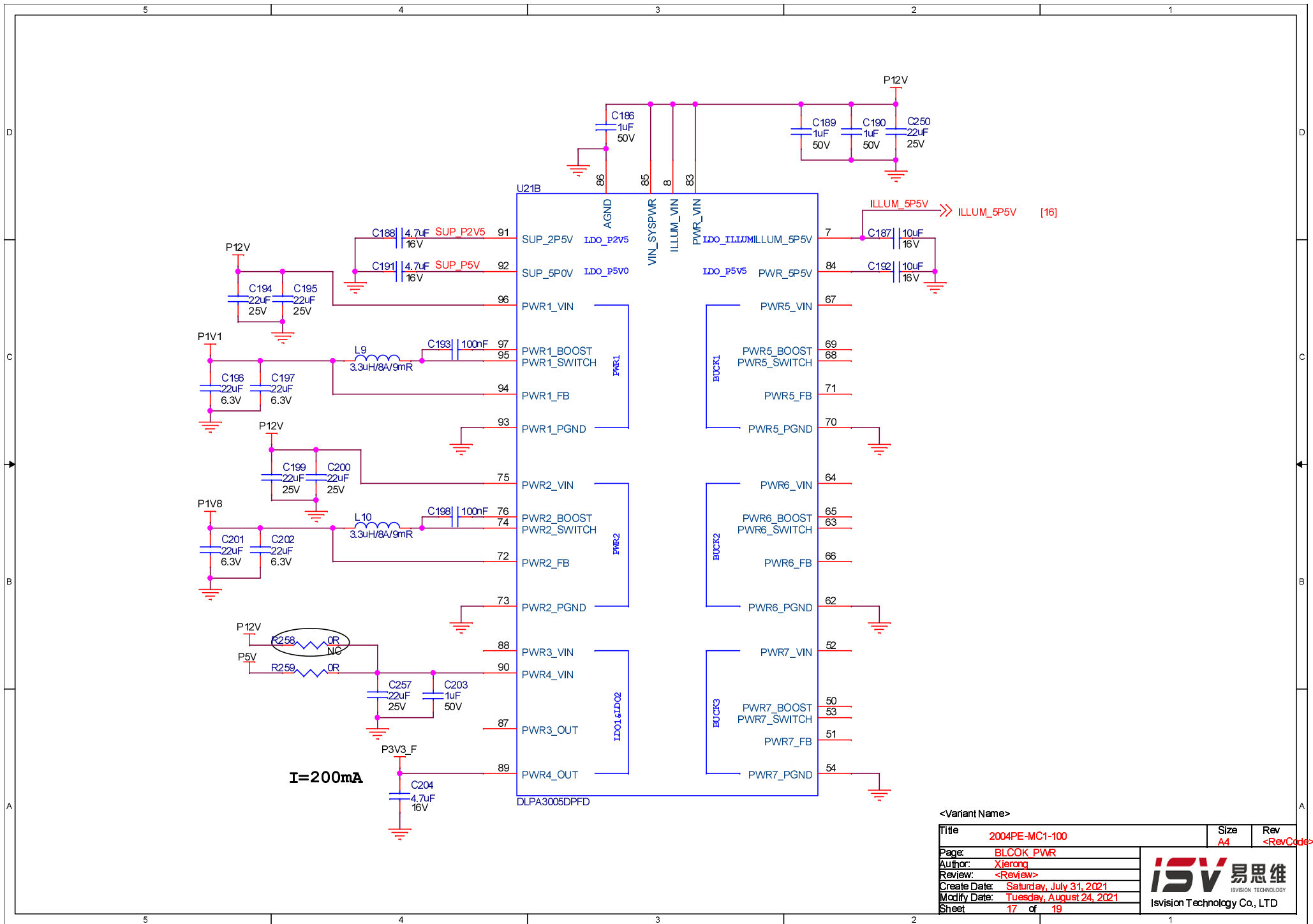
Title		Size	Rev
2005PB-MC1-VA0		A3	VA0
Page: BLOCK SYS			
Author: Xipind			
Review: <Review>			
Create Date: Tuesday, July 13, 2021			
Modify Date: Tuesday, August 24, 2021			
Sheet: 16 of 19			

ISV 易思维  
VISION TECHNOLOGY  
Isvision Technology Co., LTD



Title		2005PB-MC1-VA0	Size	Rev
Page		BI COOK PWR	A3	VA0
Author		Xipeng		
Review		<Review>		
Create Date		Tuesday, July 13, 2021		
Modify Date		Thursday, August 26, 2021		
Sheet		16 of 19		

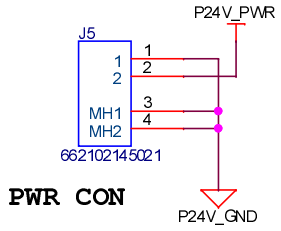




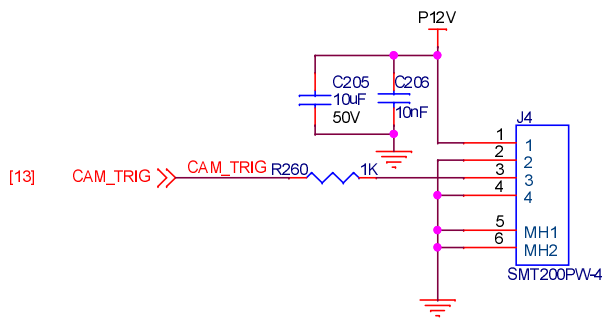
<Variant Name>

Title	2004PE-MC1-100	Size	A4	Rev	<RevCode>
Page:	BLOCK PWR				
Author:	Xierong				
Review:	<Review>				
Create Date:	Saturday, July 31, 2021				
Modify Date:	Tuesday, August 24, 2021				
Sheet	17 of 19				

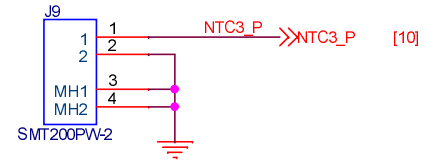
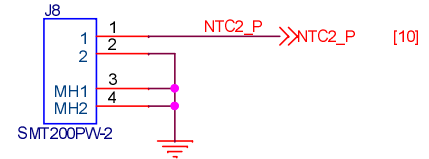
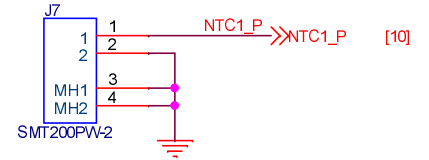




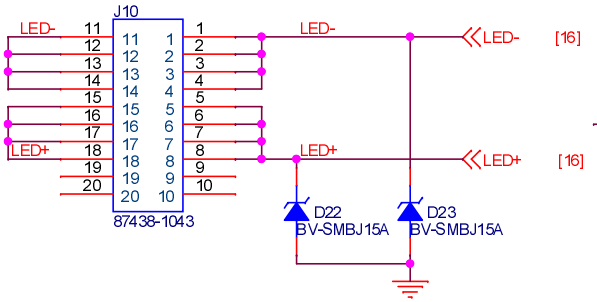
**PWR CON**



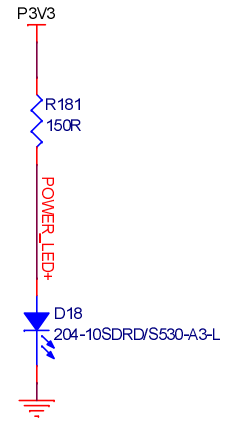
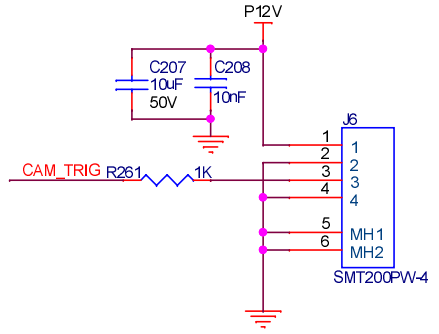
**CAM POWER CON**



**Temp Sensor**

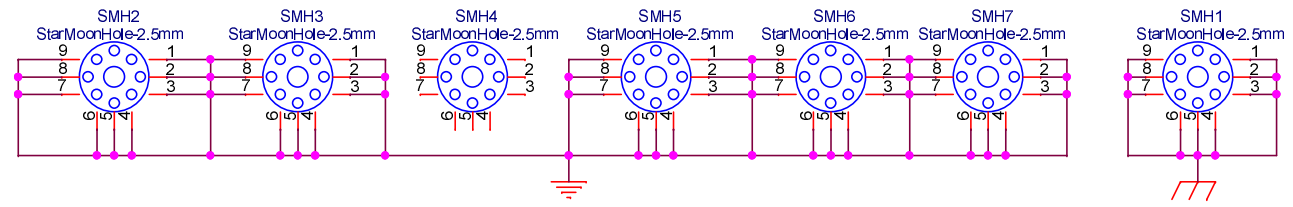


**LED POWER**



**POWER LED**

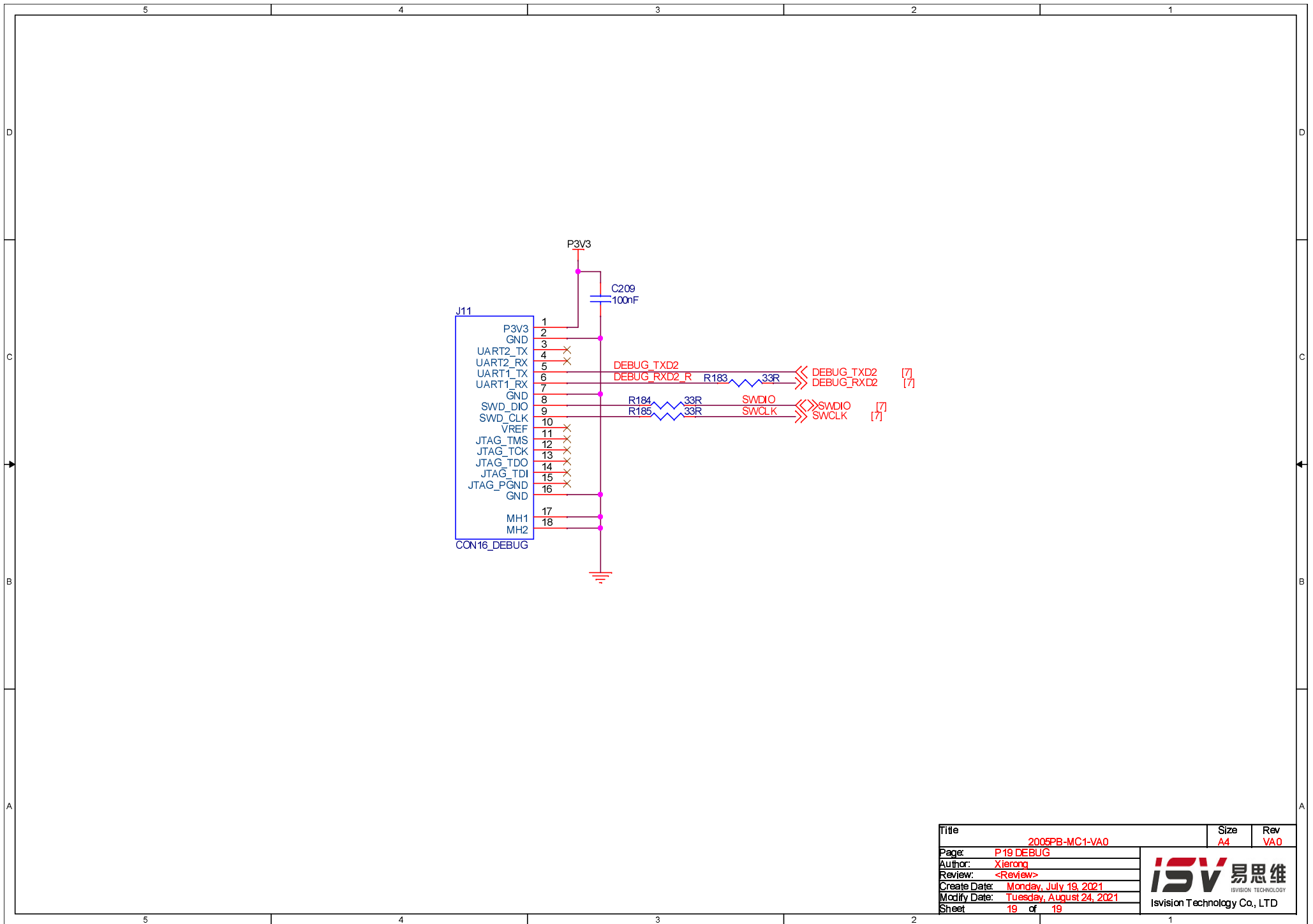
- ID1    ○ ID4
- ID2    ○ ID5
- ID3    ○ ID6



**MTH HOLE**

Title	2005PB-MC1-VA0	Size	A4	Rev	VA0
Page:	CONNECTOR				
Author:	Xierong				
Review:	<Review>				
Create Date:	Saturday, June 06, 2020				
Modify Date:	Thursday, August 26, 2021				
Sheet	18	of	19		





Title	2005PB-MC1-VA0	Size	A4	Rev	VA0
Page:	P 19				
Author:	Xierong				
Review:	<Review>				
Create Date:	Monday, July 19, 2021				
Modify Date:	Tuesday, August 24, 2021				
Sheet	19 of 19				

