

250110 Q&A

TI DLP® Pico™ Firmware Selector



This tool helps one find and download the appropriate firmware image for a DLP controller, depending on ones software and hardware configurations:

Options exist to select the desired controller, PMIC, pin mapping, and I2C address.

Controller DLPC3479 (for DLP4710_LC DMD)

PMIC DLPA3005 (EVM installed PMIC)

Pin Mapping Option 1

I2C Address 0x36 (default)

Firmware Version 0x3a

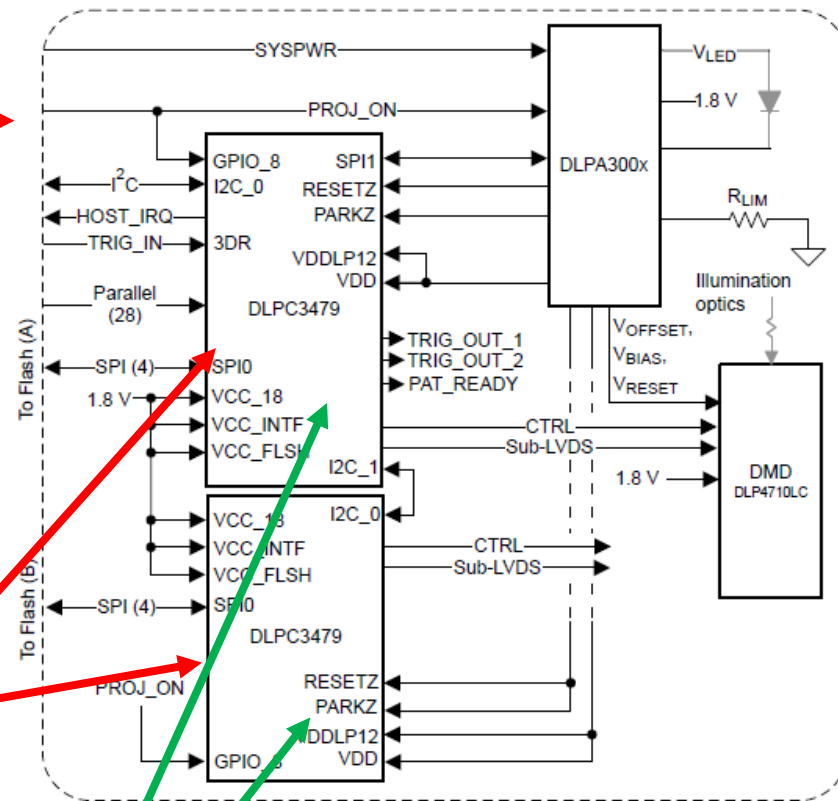
[Get Firmware](#)

CASE FWSel_DLPC3479_DLPA3005_pm1_i2c0x36_v8p4p0.img

CASE2)

FWSel_DLPC3479_DLPA3005_pm1_i2c0x36_v8p4p0.img

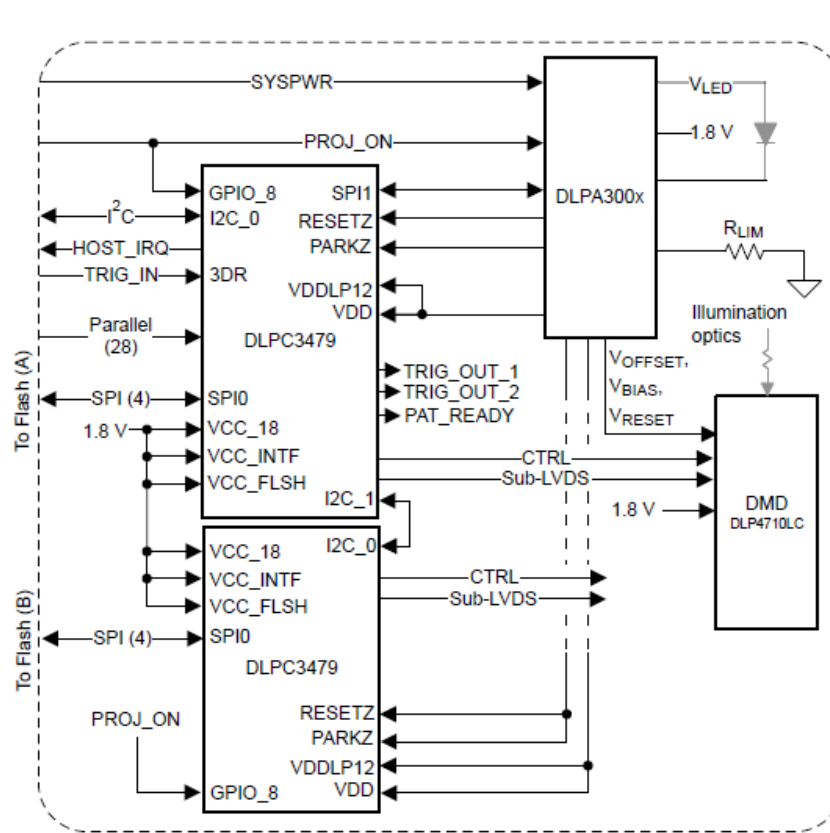
FWSel_DLPC3479_DLPA3005_pm1_i2c0x3a_v8p4p0.img




250110 Q&A



Master DLCP3479 Device ID ?
 Slave DLPC3479 Device ID ?



Master Beam , Slave Beam FW :  FWsel_DLPC3479_DLPA3005_pm1_i2c0x36_v8p4p0.img