

Title: SLPOL047180M-02		
Approved	Designed	Checked

DESCRIPTION: IT8601 HDMI Receiver

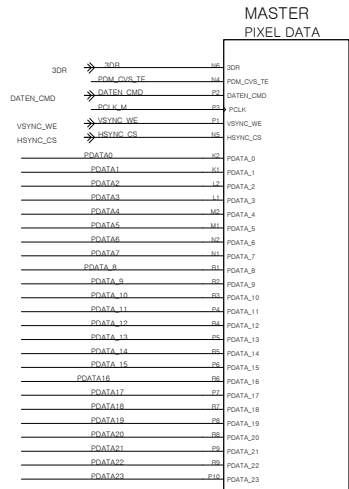
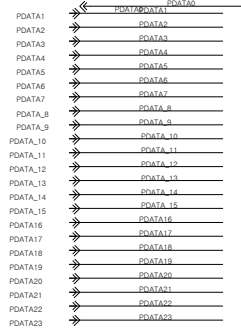
From IT6801
HDMI Receiver

(PDATA0/Blue_0)
(PDATA1/Blue_1)
(PDATA2/Blue_2)
(PDATA3/Blue_3)
(PDATA4/Blue_4)
(PDATA5/Blue_5)
(PDATA6/Blue_6)
(PDATA7/Blue_7)

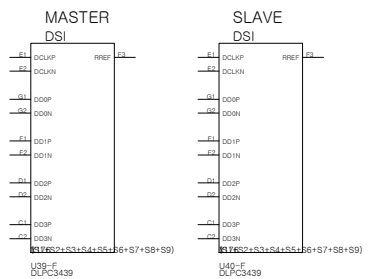
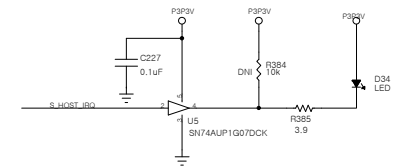
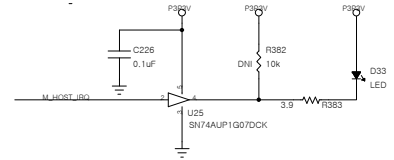
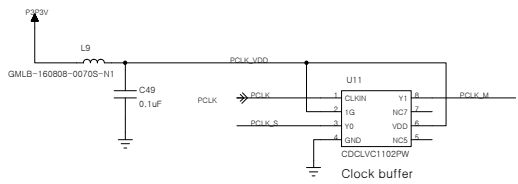
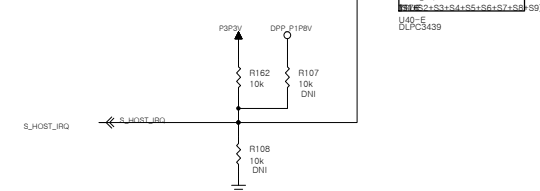
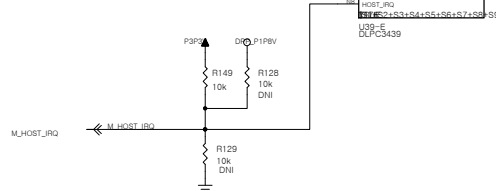
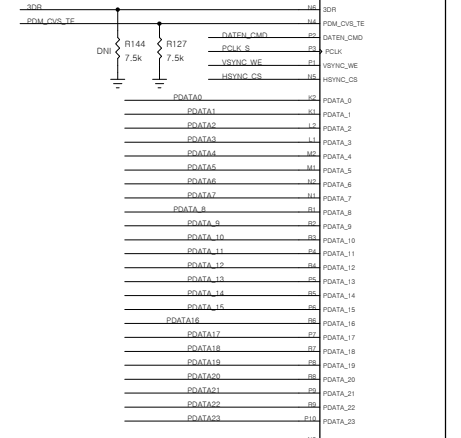
(PDATA8/Green_0)
(PDATA9/Green_1)
(PDATA10/Green_2)
(PDATA11/Green_3)
(PDATA12/Green_4)
(PDATA13/Green_5)
(PDATA14/Green_6)
(PDATA15/Green_7)

(PDATA16/Red_0)
(PDATA17/Red_1)
(PDATA18/Red_2)
(PDATA19/Red_3)
(PDATA20/Red_4)
(PDATA21/Red_5)
(PDATA22/Red_6)
(PDATA23/Red_7)

From IT6801
HDMI Receiver



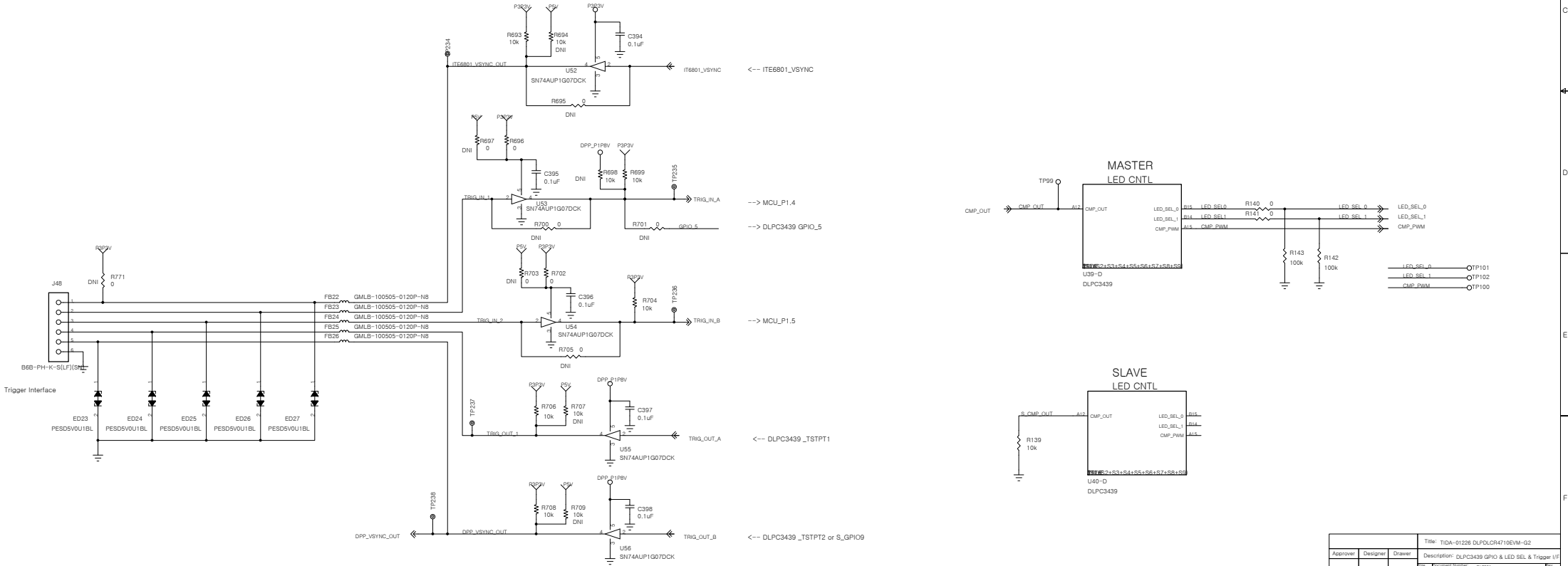
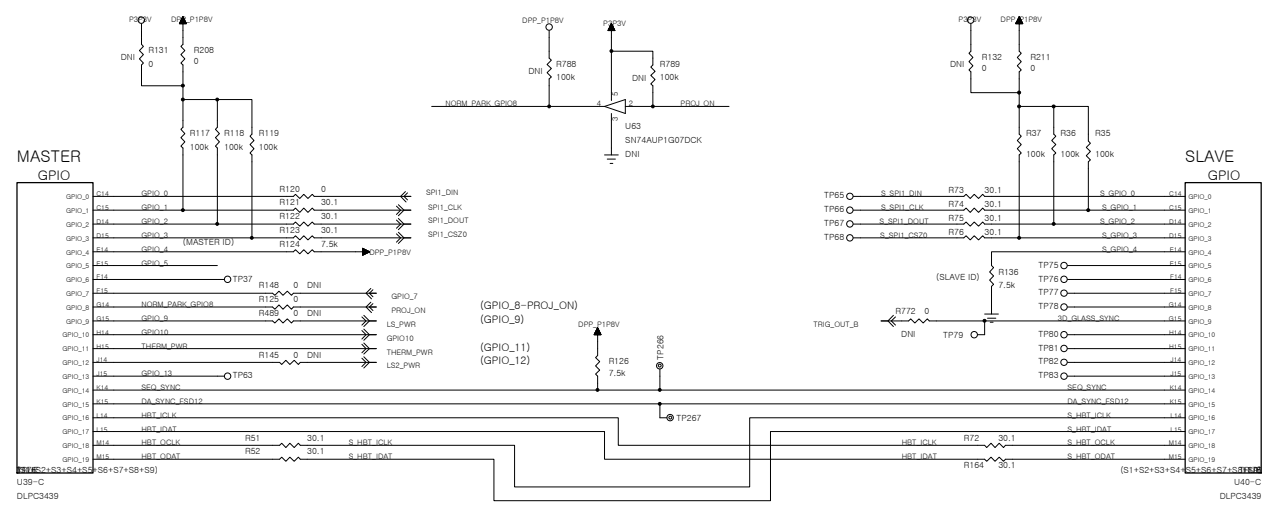
SLAVE
PIXEL DATA



The DSI Port is not used.
Inputs are left unconnected per ASIC spec recommendation.

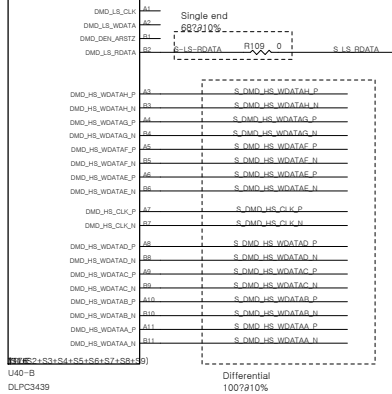
Title: TIDA-01326 DLPDLCR4710EVM-G2		
Description: DLPDLCR439 Video Input & DSI I/F		
Approver	Designer	Drawer
CS Title	Revision	Sheet

- SBI_DIN ○ TP94
- SBI_CLK ○ TP95
- SBI_OUT ○ TP96
- SBI_CS20 ○ TP97
- GPIO_5 ○ TP60
- GPIO10 ○ TP64
- THERM_PWR ○ TP98

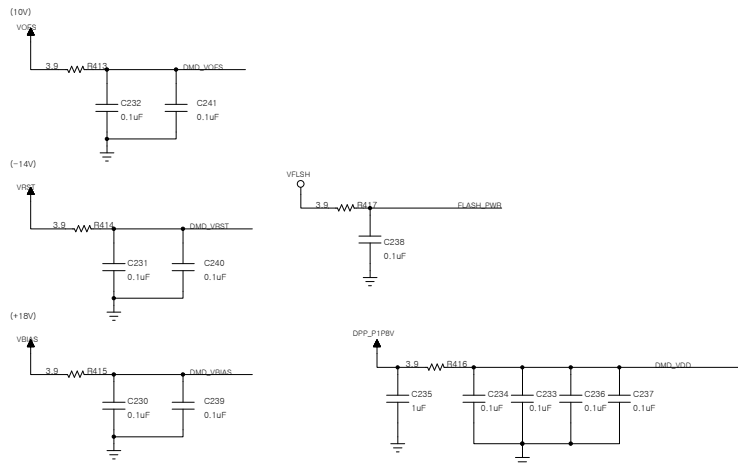
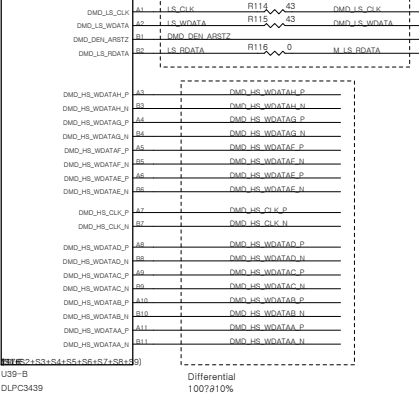


Approver	Designer	Drawer	Title: TIDA-01226 DLPOLCR4710EVM-G2
CS Team	Mason Teague	Mason Teague	Description: DLPC3439 GPIO & LED SEL & Trigger I/F
Doc No:	Doc Rev:	Doc Date:	Doc Status:
1.0	1.0	06/11/2014	Released

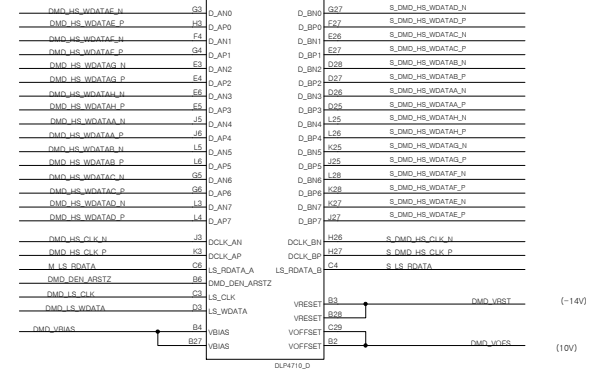
SLAVE
DMD INTERFACE



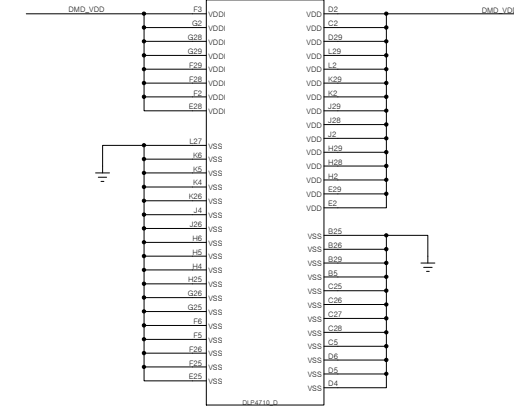
MASTER
DMD INTERFACE

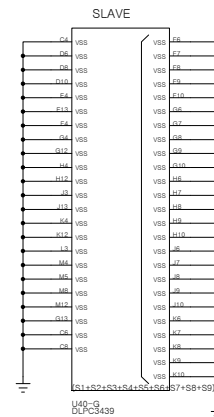
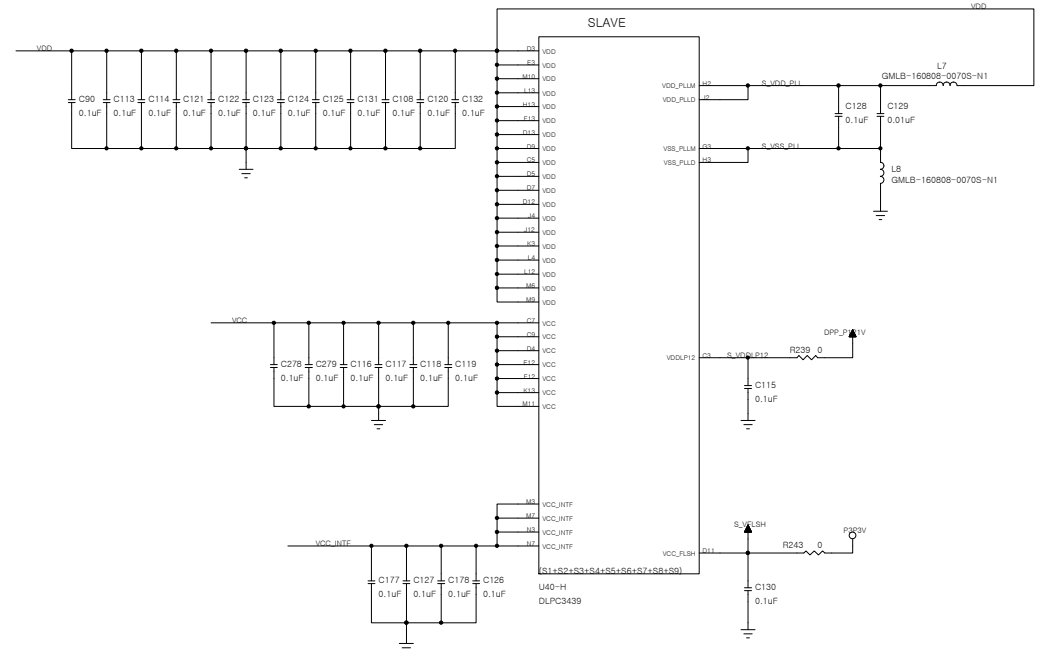
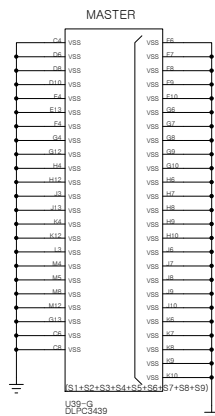
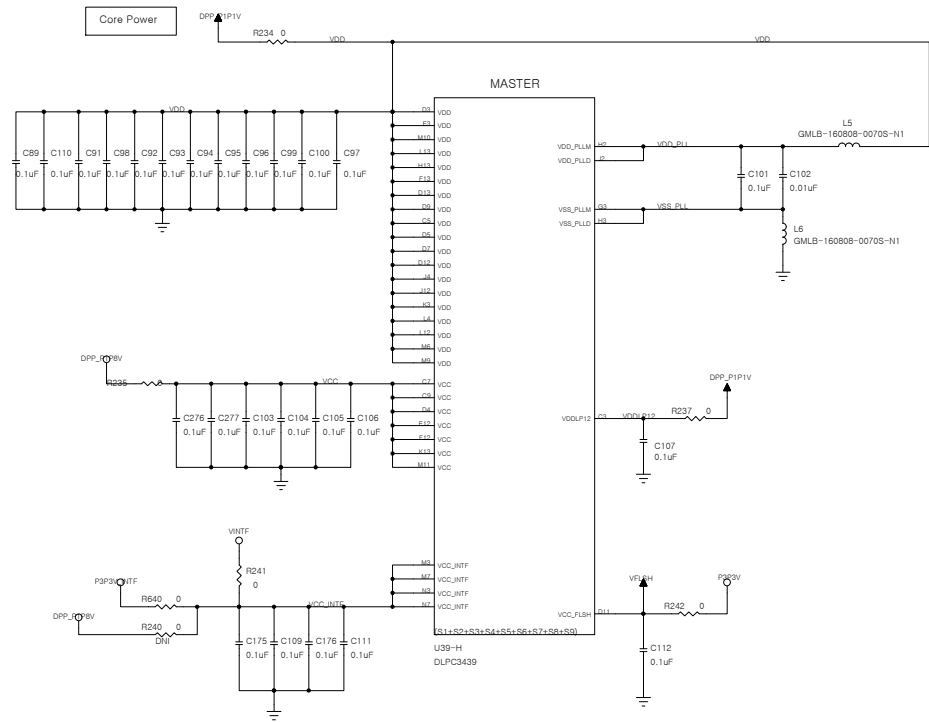


U3-A

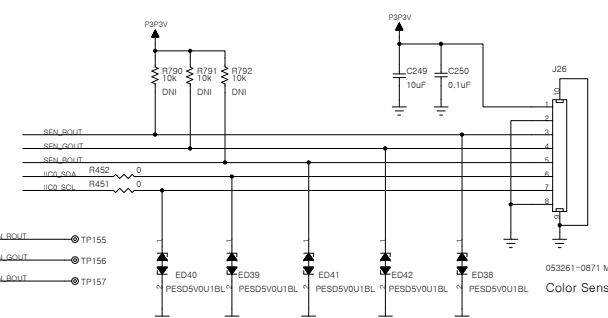
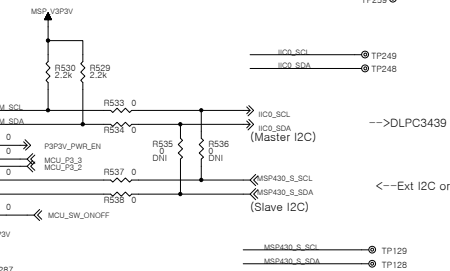
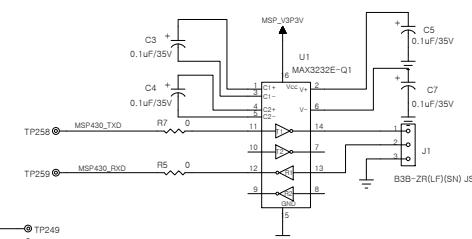
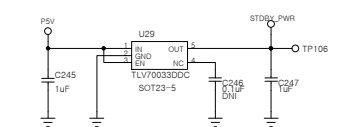
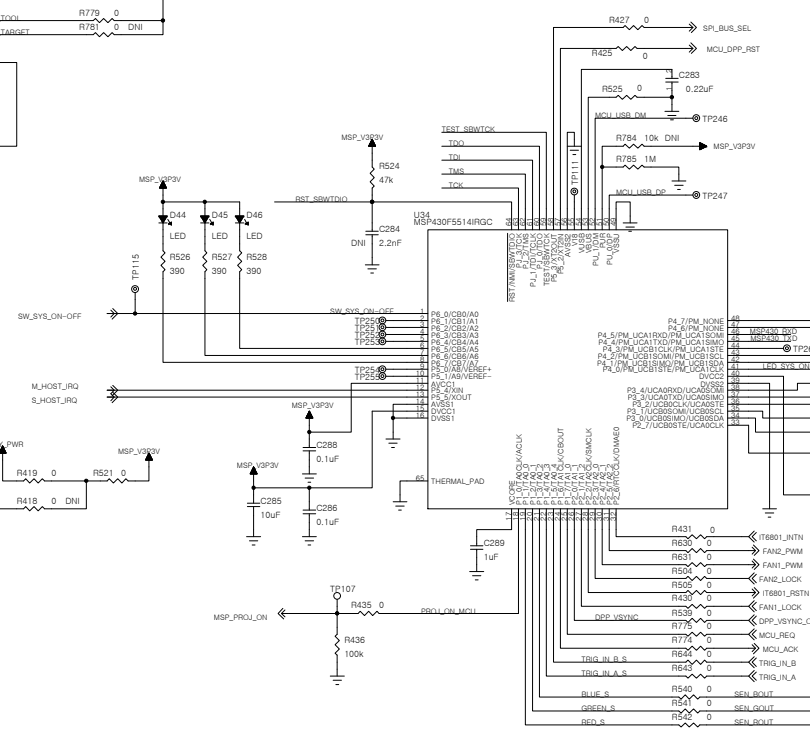
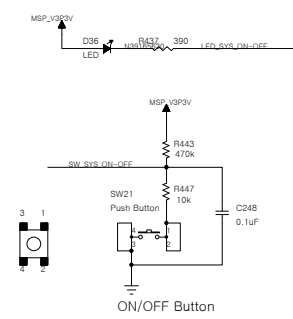
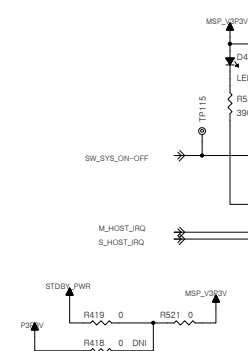
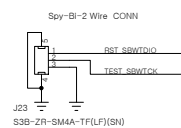
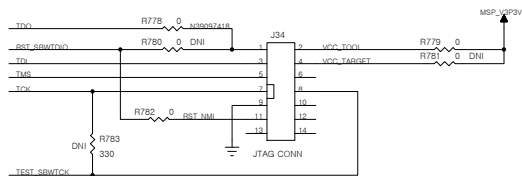


U3-B

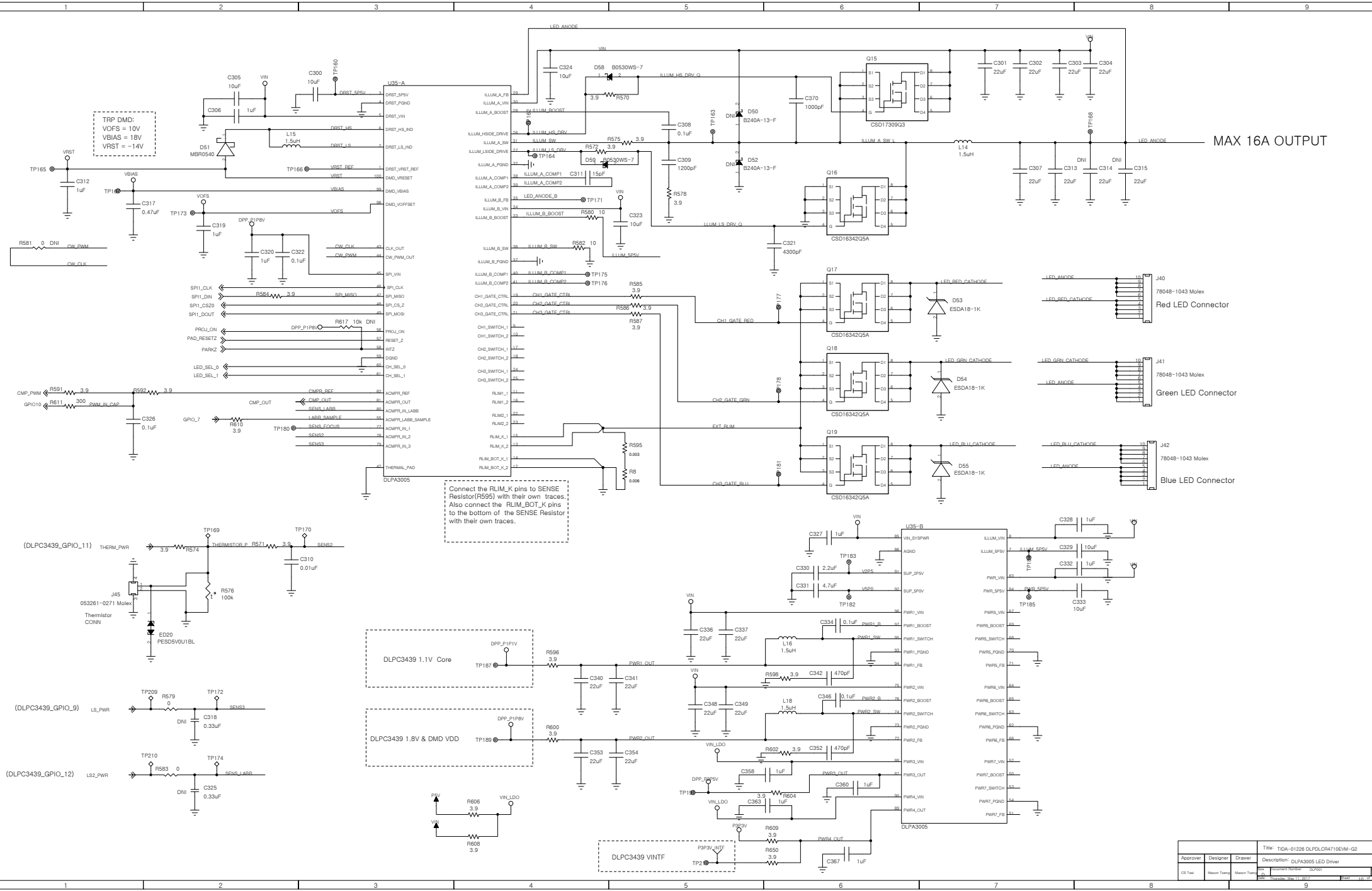




Title: TIDA-01226 DLPLCR4716VM-G2		
Approver	Designer	Drawer
Description: DLPC439_VDD,VSS		
CS Title	Revision	Sheet
	01	1 of 1



Title: TIDA-01226 DLPLDCR4716EM-Q2		
Approver	Designer	Drawer
Description: Microcontroller		
CS Title	Revision Number	Doc No
CS Title	Revision Number	Doc No



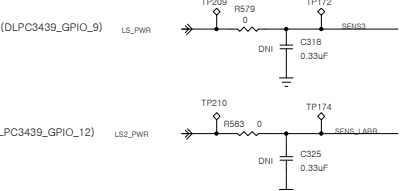
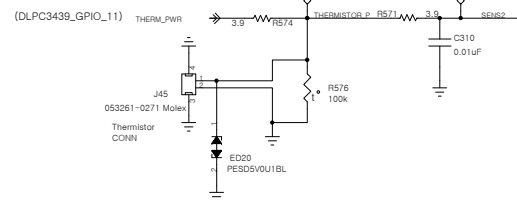
MAX 16A OUTPUT

J40
78048-1043 Molex
Red LED Connector

J41
78048-1043 Molex
Green LED Connector

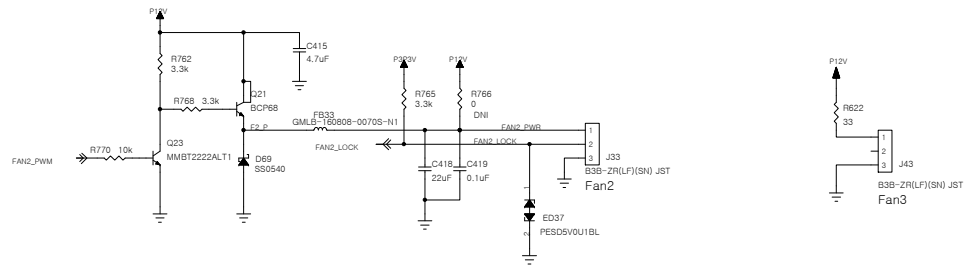
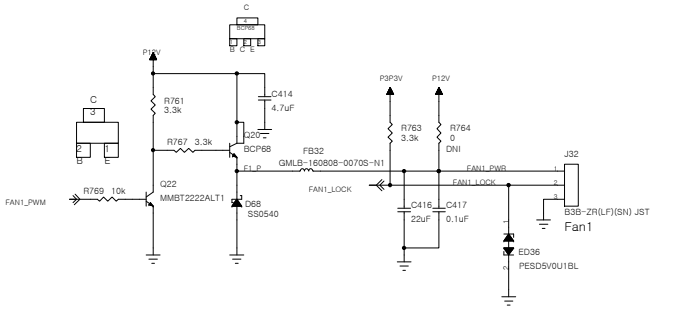
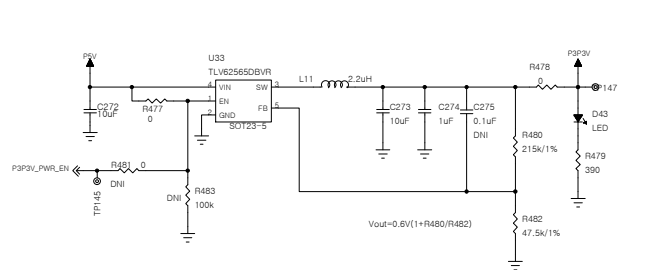
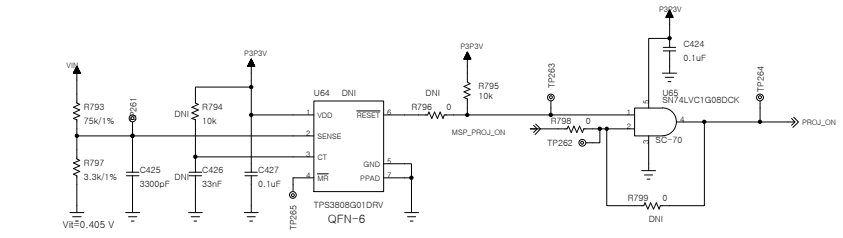
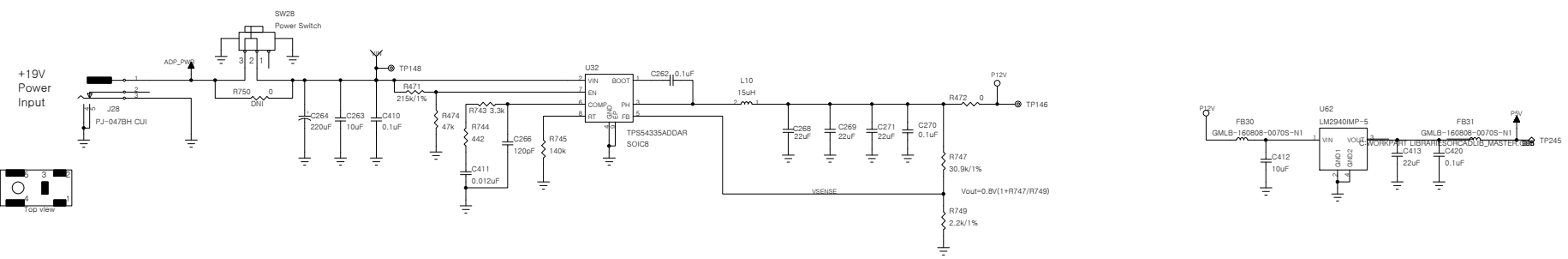
J42
78048-1043 Molex
Blue LED Connector

Connect the RLIM_K pins to SENSE Resistor(R595) with their own traces. Also connect the RLIM_BOT_K pins to the bottom of the SENSE Resistor with their own traces.

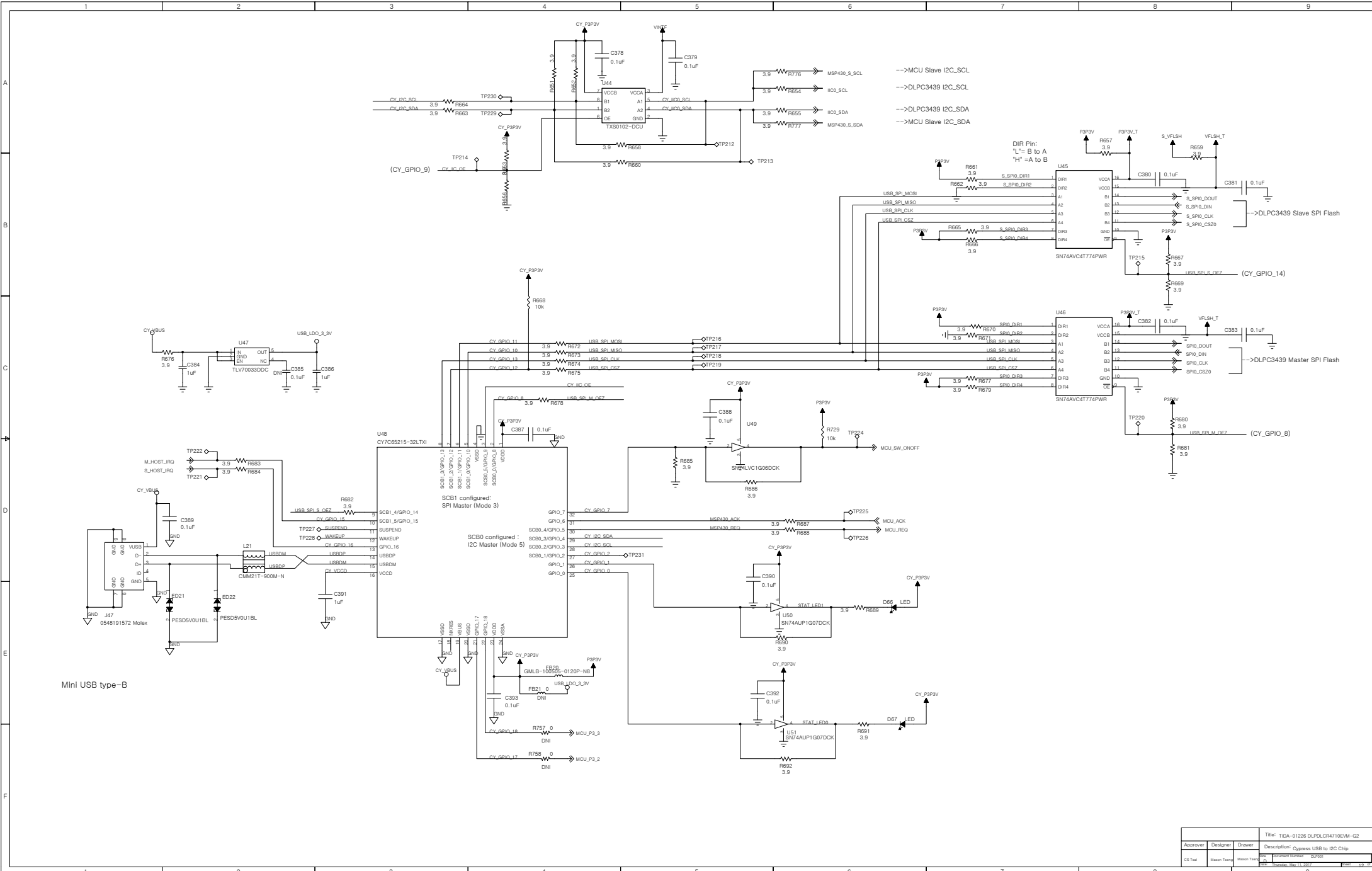


Title: TIDA-01226 DLP3305 LED Driver		
Approver	Designer	Drawer
CS Tail	Massn Thrsh	Massn Test
Doc#	Doc#	Doc#
Rev#	Rev#	Rev#
Sheet	Sheet	Sheet
10	10	10
10	10	10

OD=6mm
ID=2.5mm



Title: TIDA-01226 DLPDLCR4710EVM-G2		
Approver	Designer	Drawer
Description: Power supply & Fan Driver		
CS Title	Revision	Sheet
		11 of 13



Mini USB type-B

Title: T10A-01226-DLPC3439-I2C-M-G2			
Description: Cypress USB to I2C Chip			
Approver:	Designer:	Drawer:	PCB Designer: RUPH
CS Trail:	Mason Tang:	Mason Tang:	PCB Designer: RUPH
			Rev: 1.0