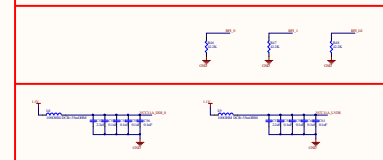
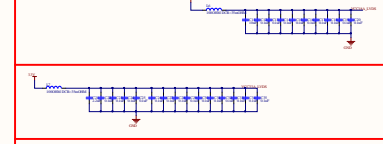
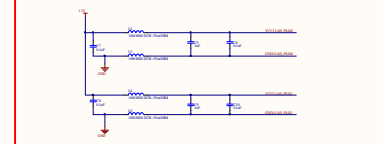
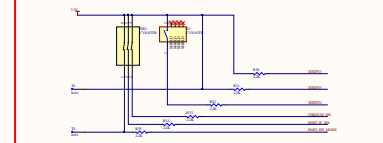
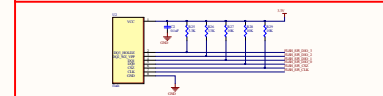
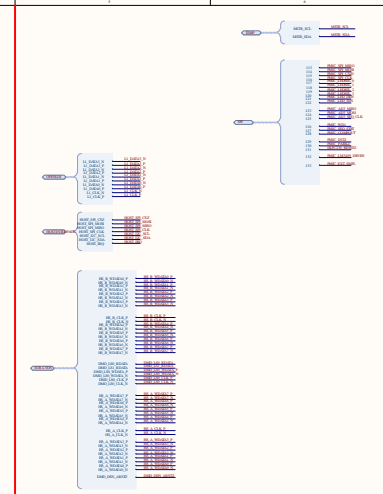
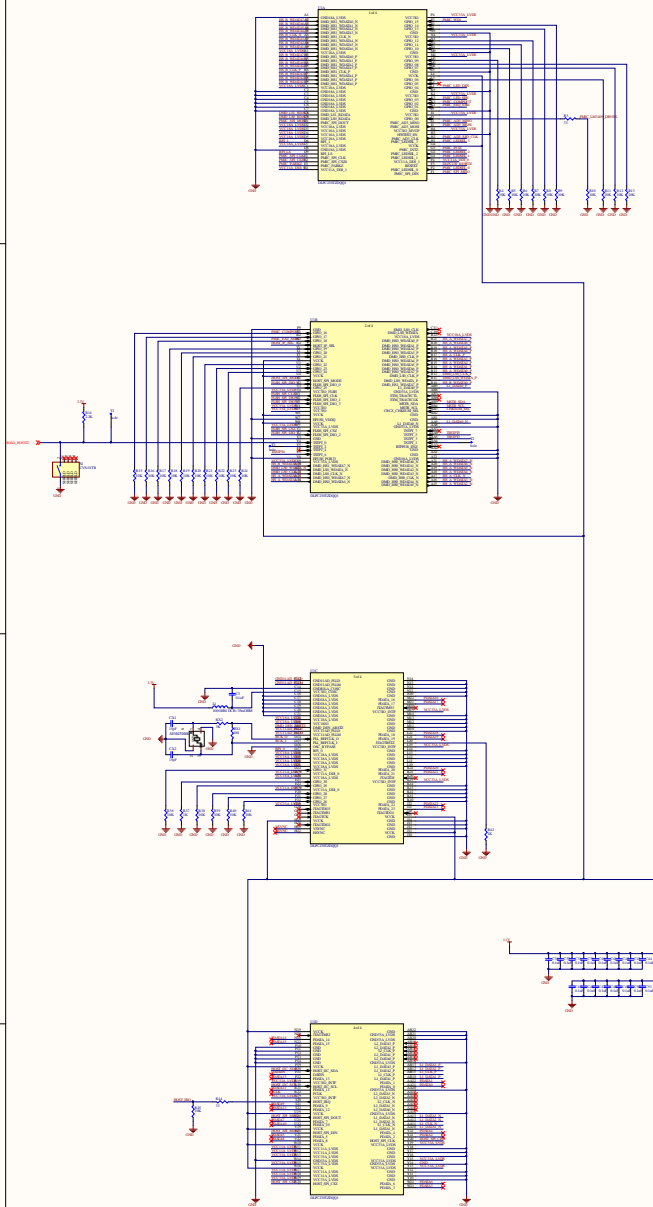
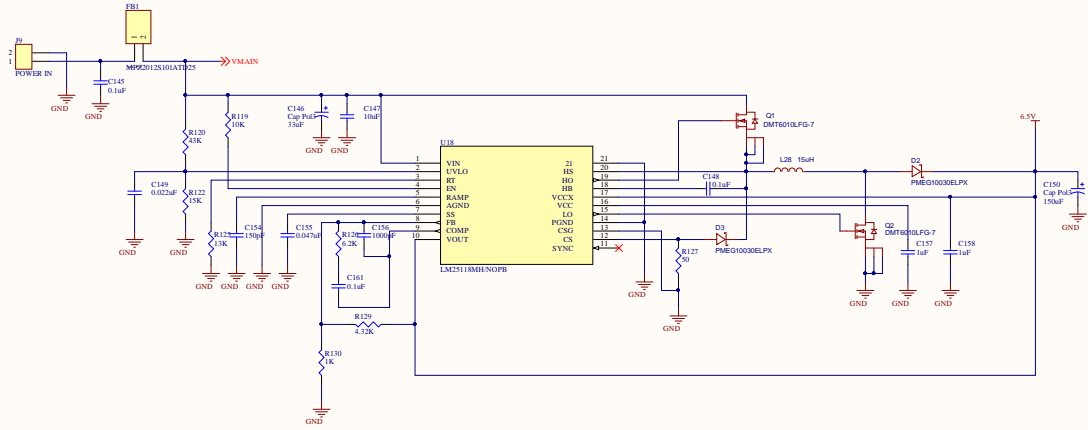


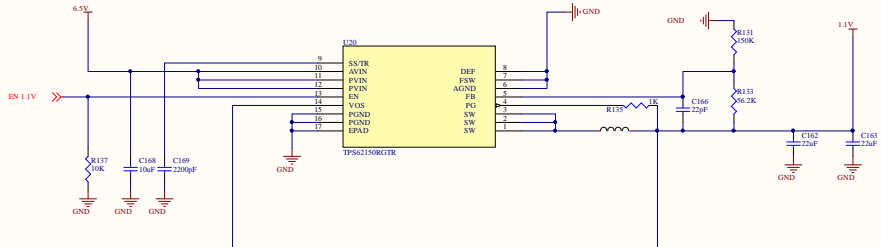
DLPC230-Q1



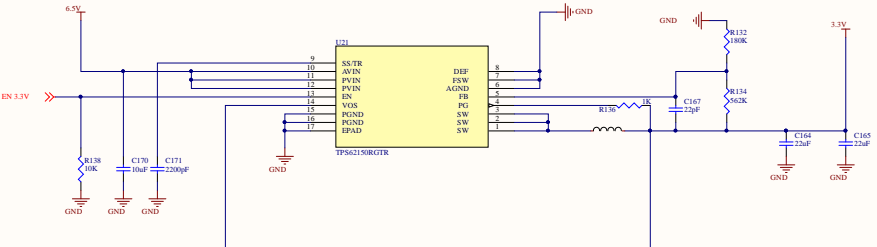
5V



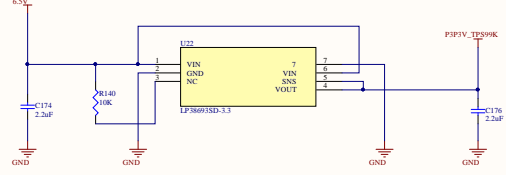
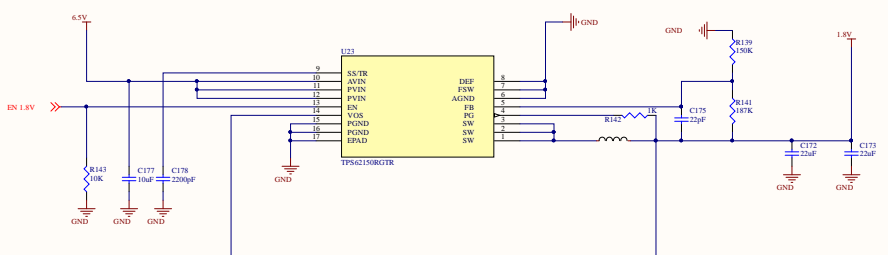
1.1V



3.3V

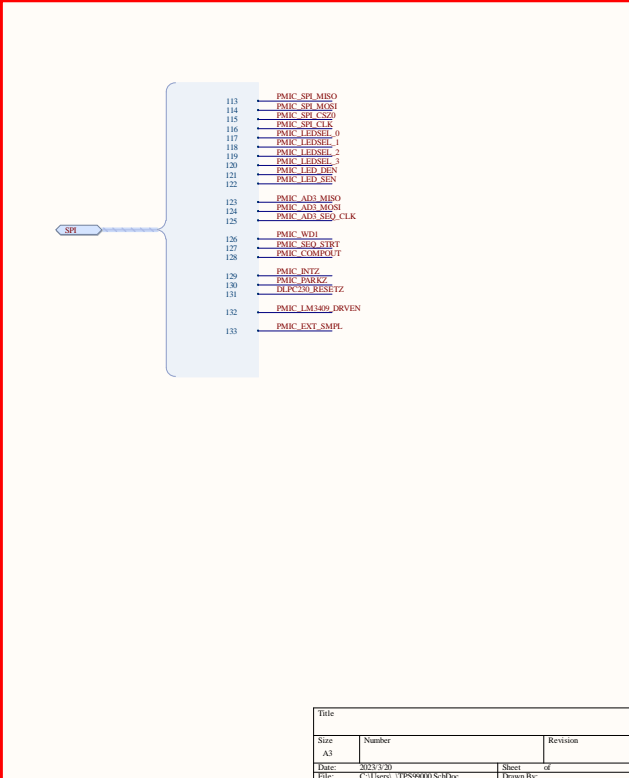
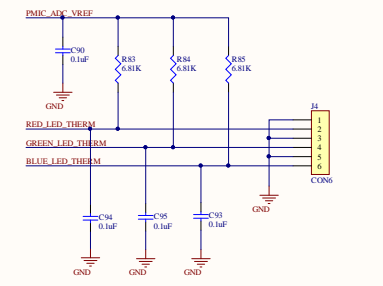
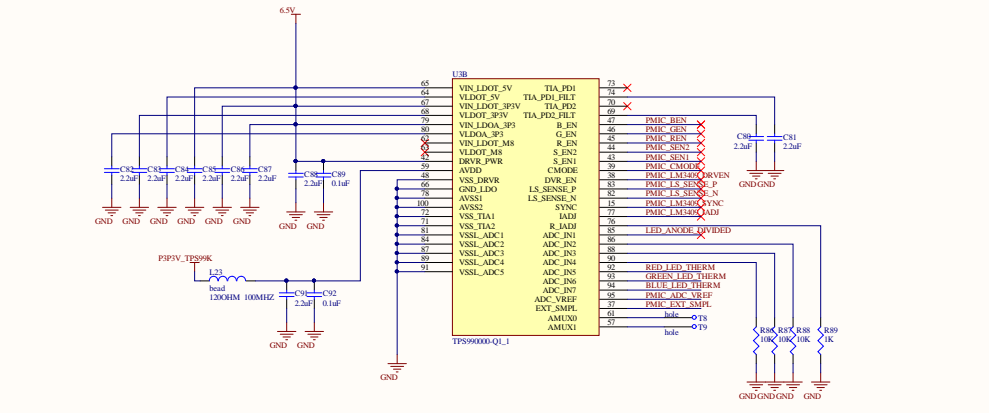
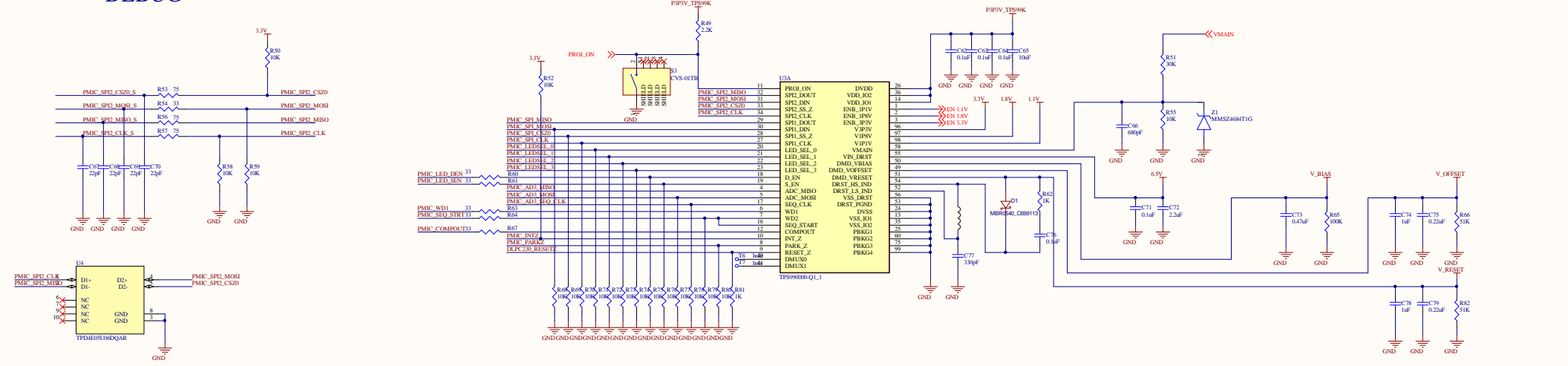


1.8V



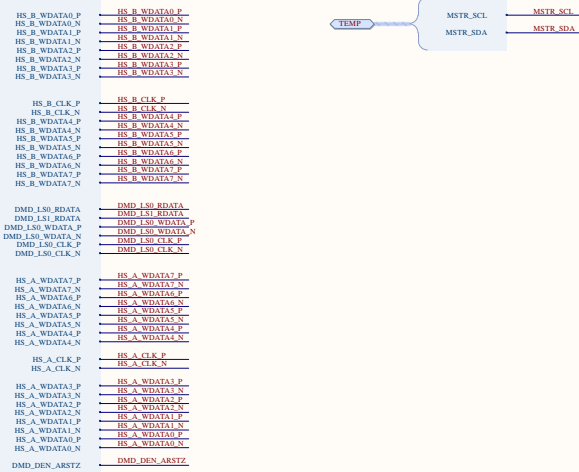
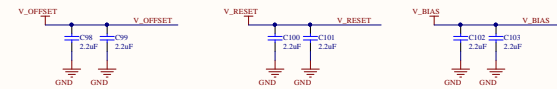
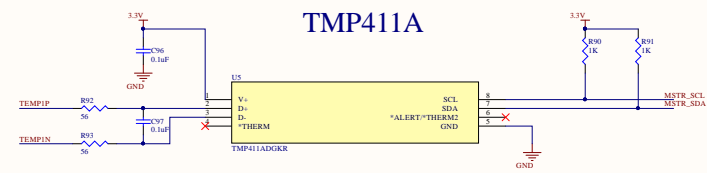
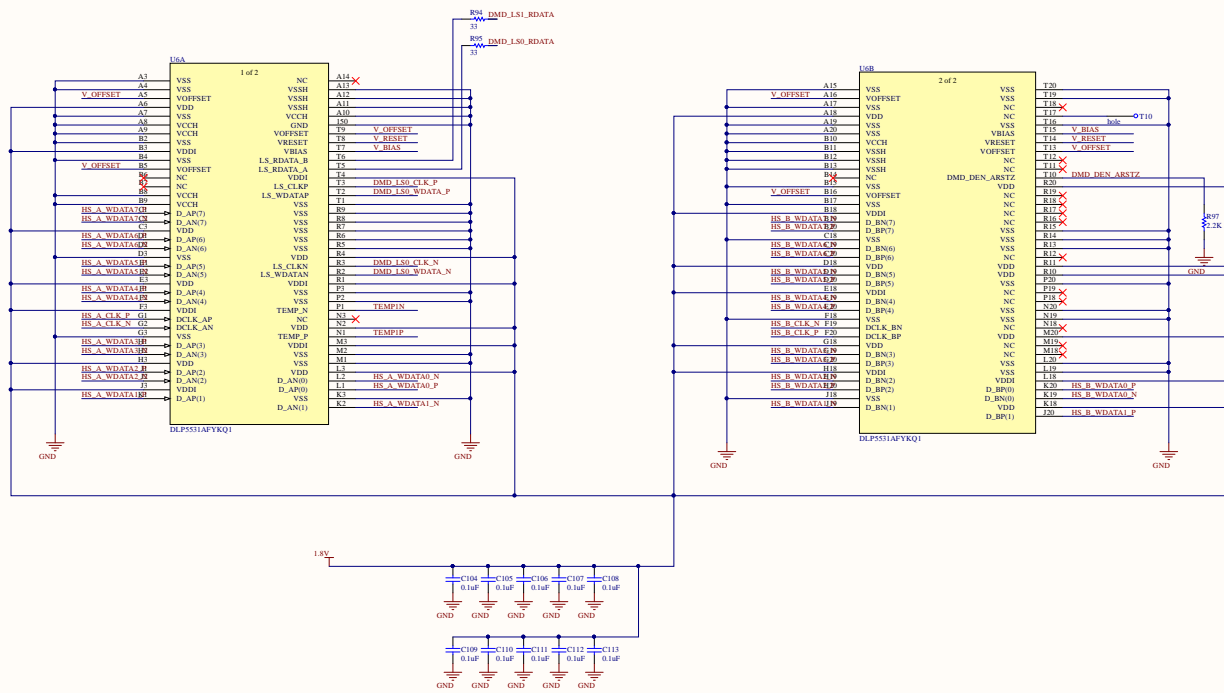
Title		
Size	Number	Revision
A3		
Date:	2023/12/0	Sheet of
File:	C:\Users\JPOWER\SrcDoc	Drawn By:

DEBUG



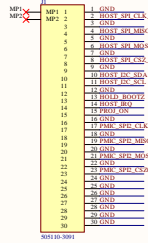
Title		Revision	
Size	A3	Number	
Date	2023/3/20	Sheet	of
File: C:\Users\jps99000\Documents		Drawn by:	

DLP5531-Q1

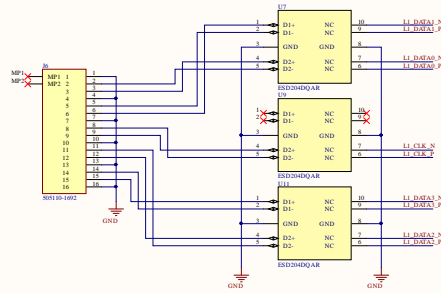


Title		
Sheet	Number	Revision
A1		
Date:	2013/3/20	Sheet
File:	C:\Users\JP_P5531-Q1\SchDoc	Drawn By:

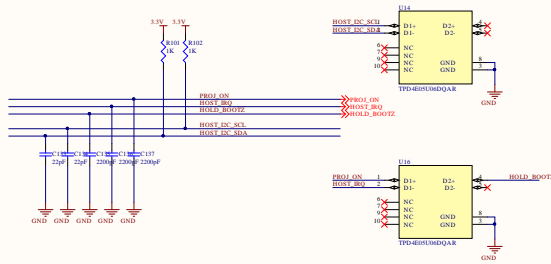
HDMI



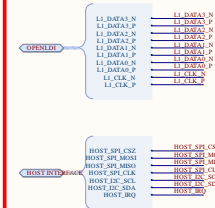
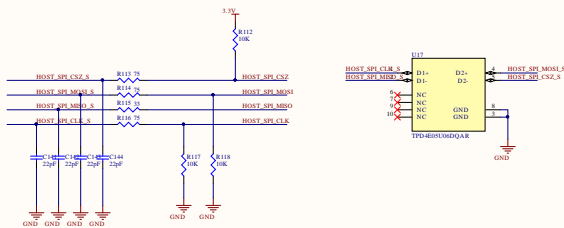
OPENLDI



HOST I2C PROJ_ON IRQ HOLD_BOOT CONNECTOR



HOST SPI CONNECTOR



File	Number	Revision
AS		
Drawn	2023-10-20	Sheet 02
File	C:\Users\HONGJUN.A\Documents	Drawn By



Boards S.