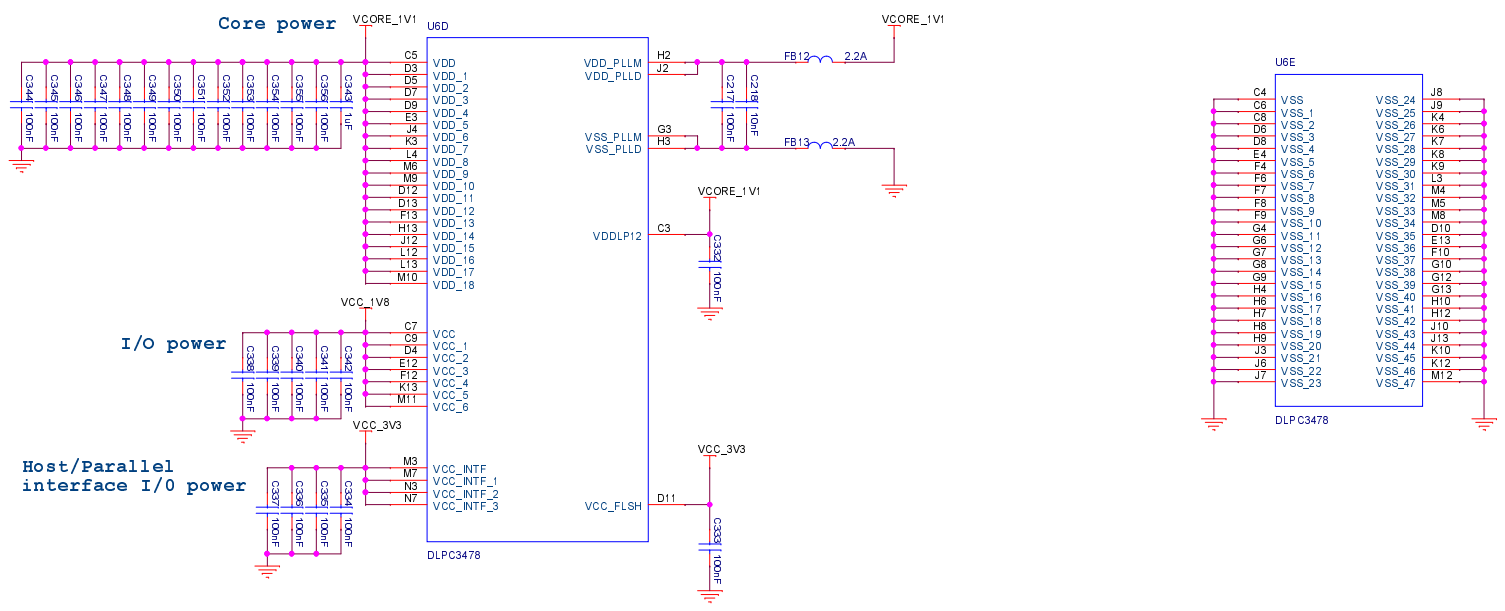


REAL IMAGING		Beijing Real Imaging Medical Technology Co., Ltd Hardware Department	
Designer:	Drawing Title: RYM02MB_SCH_VA0310		
Drawn by:	Page Title: 12.DLPC3478		
Approved:	Size: A3	Document Number: SCH-XXX.PDF:SPF-XXX	Stage marker: S
Date: Thursday, March 10, 2022	Sheet: 12 of 19	Rev: 502	

5 4 3 2 1

D

D



C

C

B

B

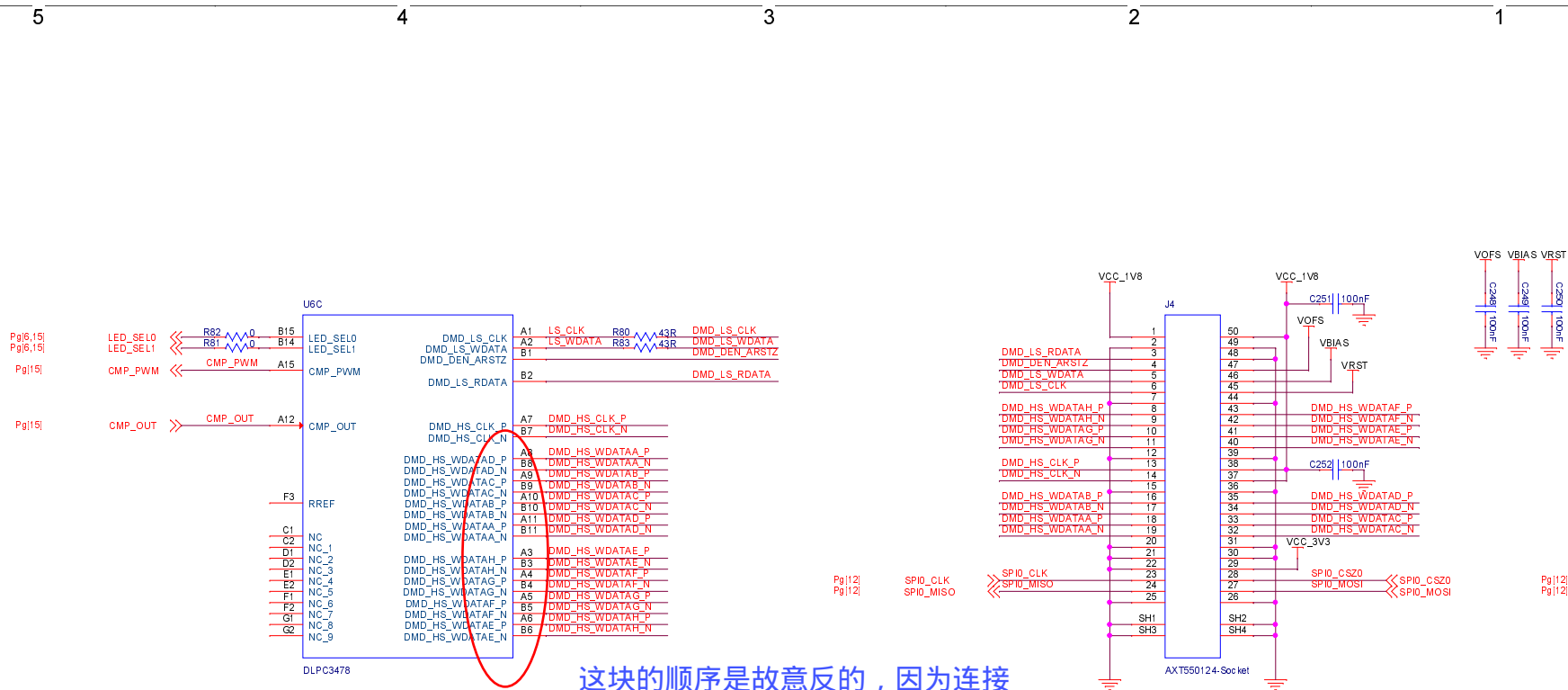
A

A

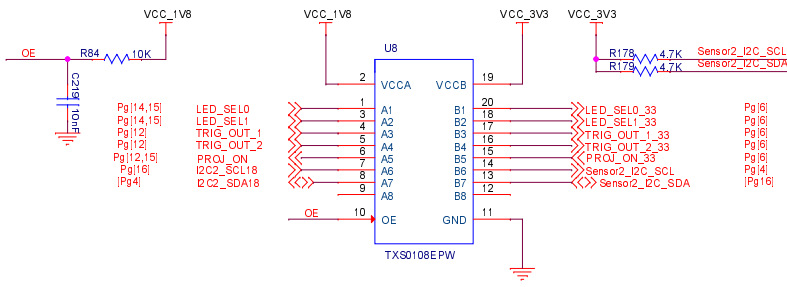
R 1 2 3 4

REAL IMAGING		Beijing Real Imaging Medical Technology Co., Ltd Hardware Department	
Designer:	Drawing Title: RYM02MB_SCH_VA0310		
Drawn by:	Page Title: 13.DLPC3478_POWER		
Approved:	Size: A3	Document Number: SCH-XXX.PDF:SPF-XXX	Stage marker: S
Date: Thursday, March 10, 2022	Sheet: 13 of 19	Rev: 502	

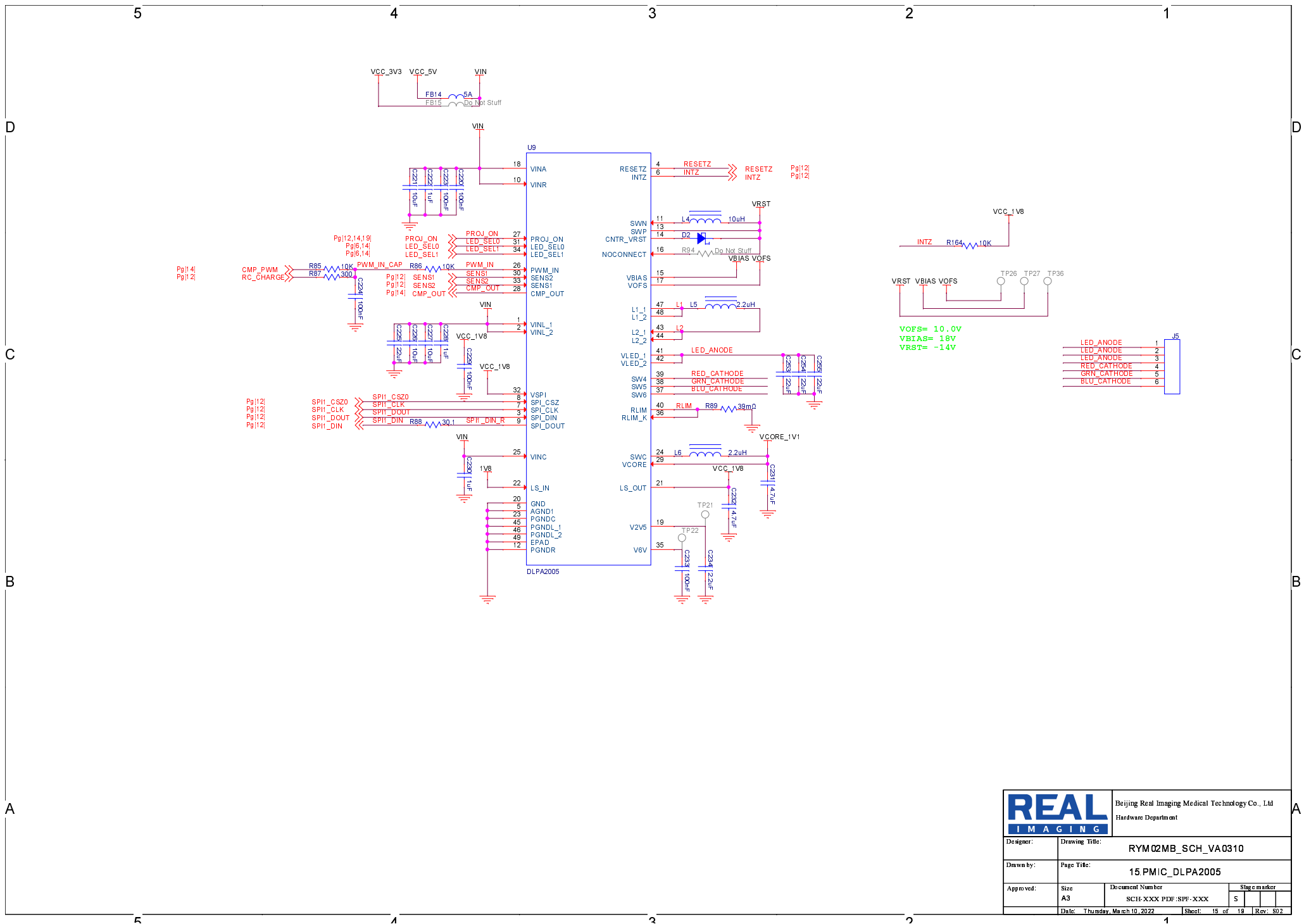
1



这块的顺序是故意反的，因为连接DMD的FPC上画错了，因此在这块调了一下顺序。



		Beijing Real Imaging Medical Technology Co., Ltd Hardware Department		
		Designer:	Drawing Title: RYM02MB_SCH_VA0310	
Drawn by:	Page Title: 14.DMD_DLP3010			
Approved:	Size	Document Number	Stage marker	
	A3	SCH-XXX PDF:SPF-XXX	S	
Date: Thursday, March 10, 2022	Sheet: 14 of 19	Rev: 502		



REAL IMAGING		Beijing Real Imaging Medical Technology Co., Ltd Hardware Department	
Designer:	Drawing Title:	RYM02MB_SCH_VA0310	
Drawn by:	Page Title:	15.PMIC_DLP2005	
Approved:	Size:	Document Number:	Stage marker:
Date:	Thursday, March 10, 2022	SCH-XXX PDF:SPF-XXX	S
Sheet:	15 of 19	Rev:	502