

This is regarding DLP3010EVMLC. The driver board on this evaluation model connects to the flex cable through a 50-pin connector with MPN - AXT550124.

The query is regarding correlation between signal names from DLPC 3478 flex connector (AXT550124) to DMD3010.

1. Please refer to the DLPC 3478 flex connector signal names as mentioned in Figure 1.

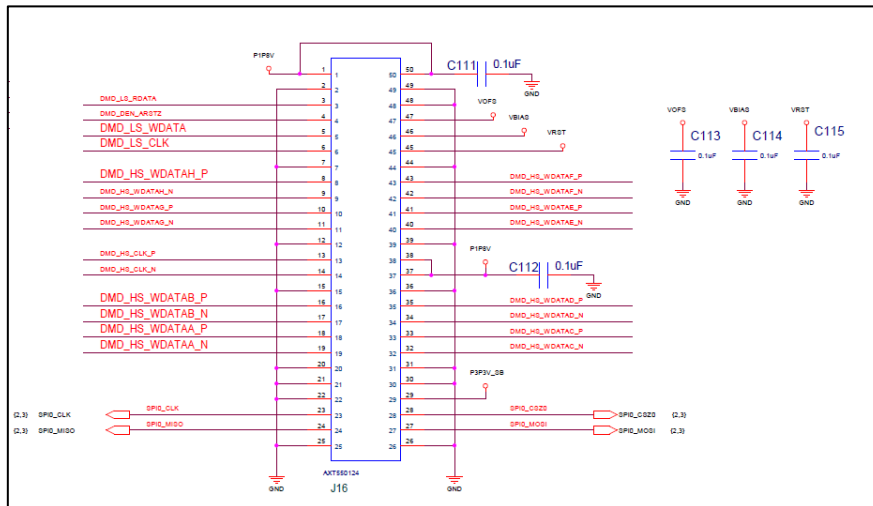


Figure 1: AXT550124 Connector

2. Please refer to the DMD3010 connector signal names as mentioned in Figure 3.

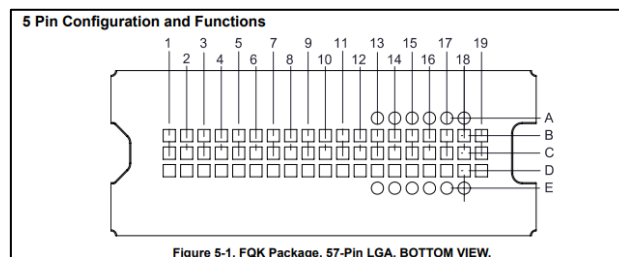


Figure 2: DMD3010 pinout diagram

	A	B	C	D	E
1		VRESET	VBIAS(3)	VOFFSET(3)	
2		VDDI	VDDI	VDD	
3		VSS	VDDI	VDDI	
4		VSS	VSS	D_N(4)	
5		D_P(5)	D_N(5)	D_P(4)	
6		VDD	VDD(3)	D_N(6)	
7		D_P(7)	D_N(7)	D_P(6)	
8		VSS	VSS	DCLK_N	
9		D_P(0)	D_N(0)	DCLK_P	
10		VDD	VDD	D_N(1)	
11		D_P(2)	D_N(2)	D_P(1)	
12		VSS	LS_WDATA	D_N(3)	
13	NC	VSS	LS_CLK	D_P(3)	NC
14	NC	VSS	DMD_DEN_ARSTZ	VSS	NC
15	NC	VSS	LS_RDATA	VSS	NC
16	NC	VSS	VSS	VSS	NC
17	NC	VSS	VSS	VOFFSET(3)	NC
18	NC	VRESET	VBIAS(3)	VDD	NC
19	NC	VDD	VDD	VDD	NC

Figure 3: DMD Signal Details

We can understand from Figures 1, 2 and 3 few correlations between AXT550124 Connector and DMD3010. For example, Pin Number 3 of AXT550124 Connector  $\Leftrightarrow$  C15 Pin of the DMD3010.

Such correlation information will be required for DMD3010 pins like B5 which mentions D\_P (5).

Requesting you to provided one to one correlation between the AXT550124 Connector and the DMD3010.